

MICRO SWITCH

FREERPORT ILLINOIS, U.S.A
A DIVISION OF HONEYWELL

FED. MFG. CODE 91929

SWITCH-BASIC

CATALOG LISTING

BA-2RV301-PC2

ABS3537

BA-2RV301-PC2
PAGE 1 OF 1

M

DRAWING NUMBER

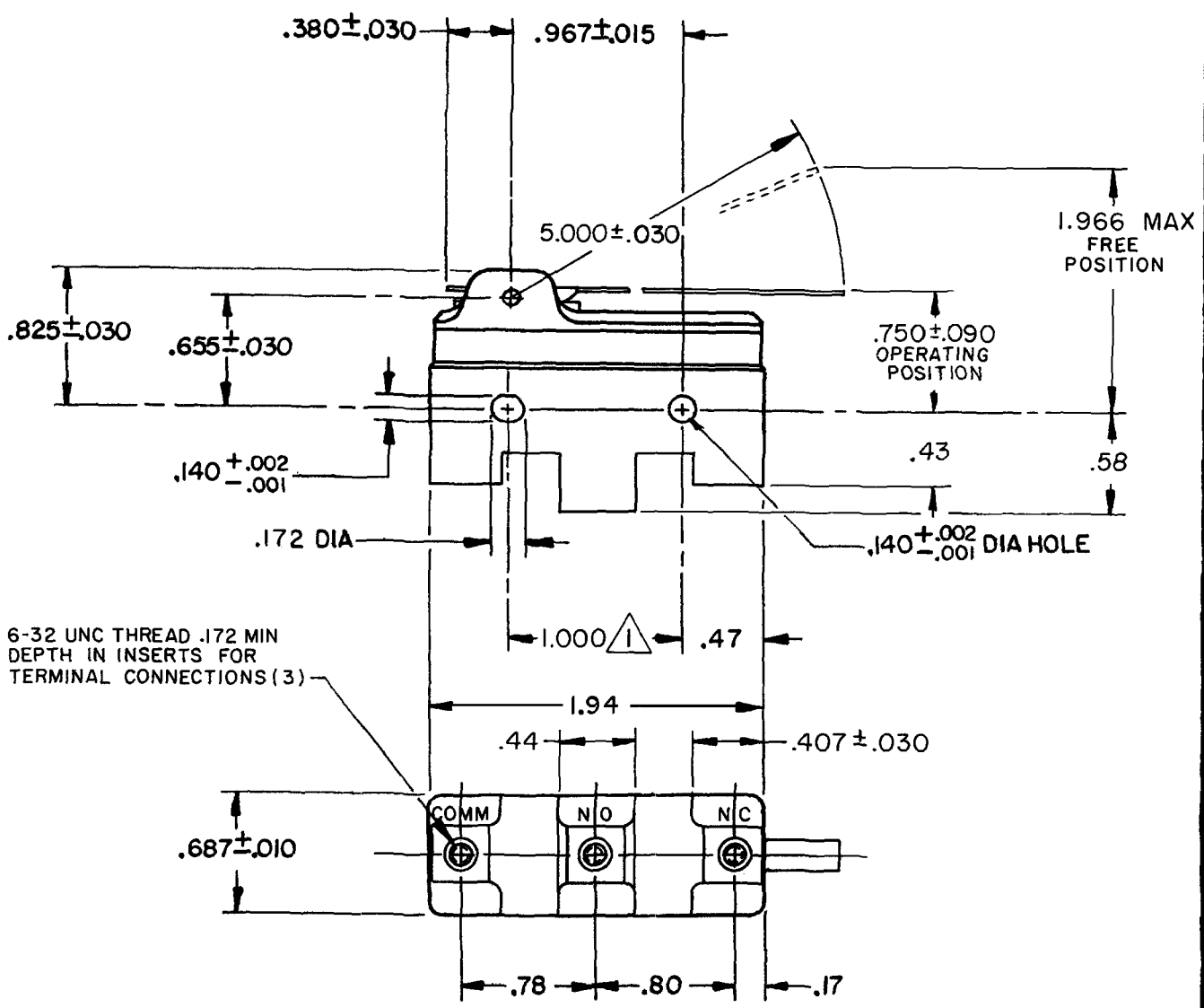
8

ISSUE

REVISIONS

A	C080986	JALA	11 JUN 95
B	C093346	DLT	26 AUG 98
C	0018387	TSG	18 JAN 06

RELEASE NO. PR-14416
CHECK
18 JAN 06
CHECK
RJ
CHECK
KAG
26 DEC 85
CHECK
85
DEC
20
T SK



NOTES
 1 MOUNTING HOLES WILL ACCEPT PINS OR SCREWS OF .139 MAX DIA ON 1.000±.002 CENTERS
 2 - 6-32 UNC X .218 REF LOCKWASHER SCREW (3) FURNISHED UNASSEMBLED

THIS DRAWING COVERS A PROPRIETARY ITEM AND IS THE PROPERTY OF MICRO SWITCH, A DIVISION OF HONEYWELL. THIS DRAWING IS NOT TO BE COPIED OR USED WITHOUT THE APPROVAL OF MICRO SWITCH.

THIRD ANGLE PROJECTION

CHARACTERISTICS
OPERATING FORCE ----- 1 1/2 OZ MAX
RELEASE FORCE ----- 1/4 OZ MIN
DIFFERENTIAL TRAVEL ----- .178 MAX
OVERTRAVEL ----- .224 MIN

ELECTRICAL DATA
CONTACT ARRANGEMENT S P D T
L23 20A 125, 250, OR 480 VAC 10A 125 VAC "L" 1 HP 125 VAC, 2 HP 250 VAC 1/2 A 125 VDC, 1/4 A 250 VDC
L288 L308 L315
CE
20(3)A 250V ~ T85 5E4

SCALE FULL																								
DO NOT SCALE PRINT																								
TOLERANCES APPLY TO DESIGN UNITS. CONVERSIONS ARE ONLY FOR REFERENCE. UNLESS NOTED, TOLERANCES ARE ±																								
<table border="1"> <thead> <tr> <th>DIM.</th> <th>TOL.</th> <th>DIM.</th> <th>TOL.</th> </tr> <tr> <th>mm</th> <th>mm/in</th> <th>in</th> <th>mm/in</th> </tr> </thead> <tbody> <tr> <td>NO PLACES</td> <td>X</td> <td>1/.04</td> <td></td> </tr> <tr> <td>ONE PLACE</td> <td>X,X</td> <td>0.4/.018</td> <td>X,X 0.8/.03</td> </tr> <tr> <td>TWO PLACES</td> <td>X,X,X</td> <td>0.15/.006</td> <td>X,X,X 0.38/.018</td> </tr> <tr> <td>THREE PLACES</td> <td>X,X,X,X</td> <td></td> <td>X,X,X,X 0.13/.005</td> </tr> </tbody> </table>	DIM.	TOL.	DIM.	TOL.	mm	mm/in	in	mm/in	NO PLACES	X	1/.04		ONE PLACE	X,X	0.4/.018	X,X 0.8/.03	TWO PLACES	X,X,X	0.15/.006	X,X,X 0.38/.018	THREE PLACES	X,X,X,X		X,X,X,X 0.13/.005
DIM.	TOL.	DIM.	TOL.																					
mm	mm/in	in	mm/in																					
NO PLACES	X	1/.04																						
ONE PLACE	X,X	0.4/.018	X,X 0.8/.03																					
TWO PLACES	X,X,X	0.15/.006	X,X,X 0.38/.018																					
THREE PLACES	X,X,X,X		X,X,X,X 0.13/.005																					
DESIGN UNITS <input type="checkbox"/> SI METRIC <input type="checkbox"/> US CUSTOMARY <input checked="" type="checkbox"/>																								
WEIGHT																								

FORMTEK