

MICRO SWITCH

FREEPORT ILLINOIS, U.S.A
A DIVISION OF HONEYWELL
FED. MFG. CODE 91929

SWITCH - BASIC

CATALOG LISTING
BE-2RB

CATALOG LISTING
BE-2RB
PAGE 1 OF 1
RELEASE NO. PR-7892
REPLACES

M
DRAWING NUMBER
6
ISSUE

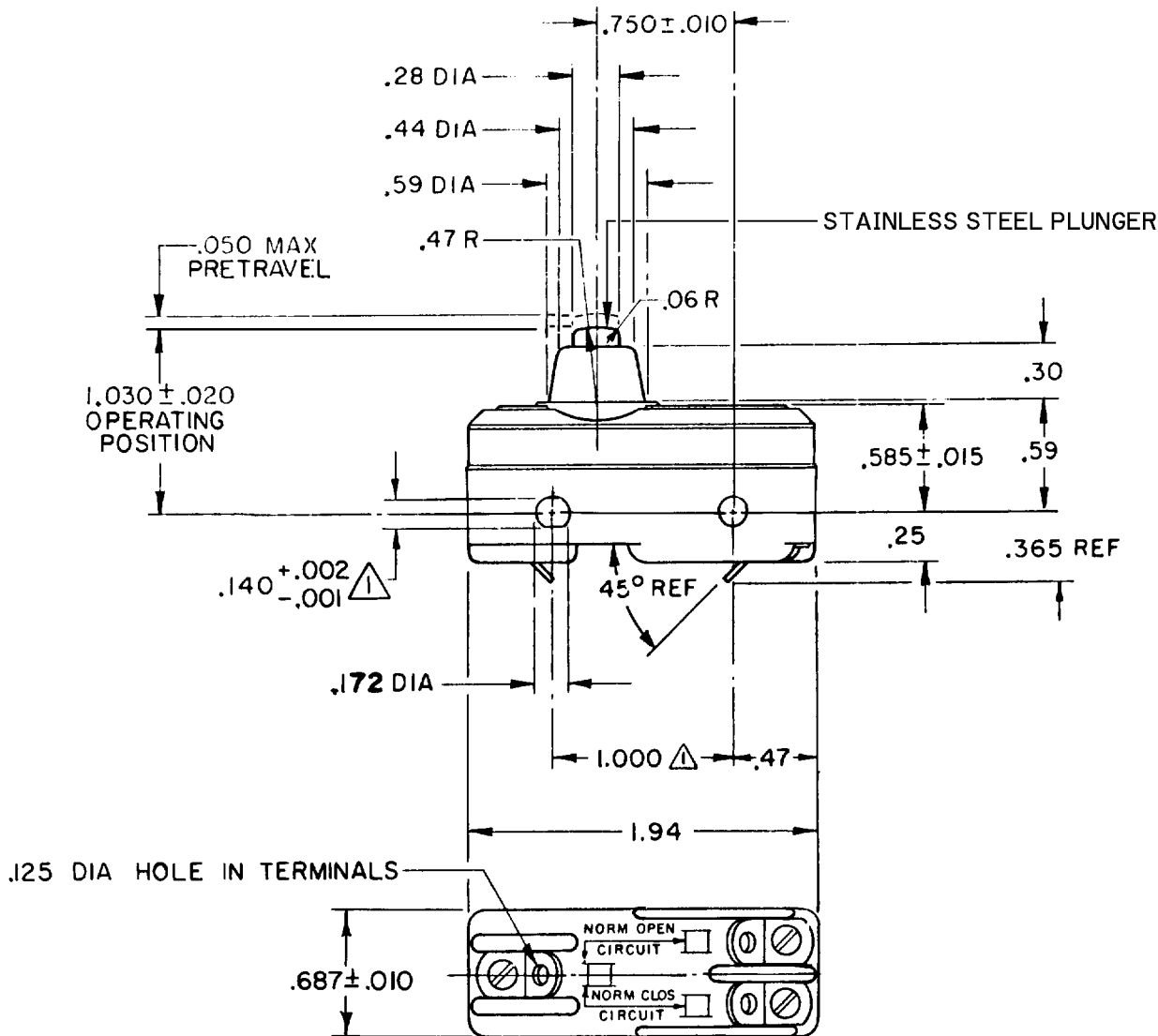
CHECK

REVISIONS

A	CO	58782	WJM	25 JAN 86
B	CO	665010		
T	J	A		
28	JUL	89		
C	CO	77590	SAD	10 JUN 94
D	CO	94212-C	DLT	20 SEP 99
E	CO	95750-B	CSL	3 APR 00

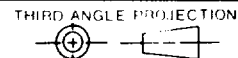
CHECK C E B 21 MAY 79

FORMTEK
FO-52848-A
DRAWN
WJM 18 MAY 79



NOTE
MOUNTING HOLES WILL ACCEPT PINS OR SCREWS OF .139 MAX DIA ON 1.000 ± .002 CENTERS

THIS DRAWING COVERS A PROPRIETARY ITEM AND IS THE PROPERTY OF MICRO SWITCH, A DIVISION OF HONEYWELL. THIS DRAWING IS NOT TO BE COPIED OR USED WITHOUT THE APPROVAL OF MICRO SWITCH.



CHARACTERISTICS
OPERATING FORCE ----- 14-22 OZ
RELEASE FORCE ----- 10 OZ MIN
DIFFERENTIAL TRAVEL - .0020-.0075
OVERTRAVEL ----- .094 MIN

ELECTRICAL DATA
CONTACT ARRANGEMENT S P D T
25A, 125, OR 250 VAC 1HP 125 VAC, 2HP 250 VAC PILOT DUTY
750 VA 125, 250 OR 277 VAC 60/75°C (Cu)

SCALE FULL																												
DO NOT SCALE PRINT																												
TOLERANCES APPLY TO DESIGN UNITS. CONVERSIONS ARE ONLY FOR REFERENCE. UNLESS NOTED, TOLERANCES ARE ±																												
<table border="1"> <thead> <tr> <th>DIM.</th> <th>TOL.</th> <th>DIM.</th> <th>TOL.</th> </tr> <tr> <th>mm</th> <th>mm/in</th> <th>in</th> <th>mm/in</th> </tr> </thead> <tbody> <tr> <td>NO PLACES</td> <td>X</td> <td>1/04</td> <td></td> </tr> <tr> <td>ONE PLACE</td> <td>X,X</td> <td>0.4/016</td> <td>X X</td> </tr> <tr> <td>TWO PLACES</td> <td>X,XX</td> <td>0.15/006</td> <td>X XX</td> </tr> <tr> <td>THREE PLACES</td> <td>X,XXX</td> <td></td> <td>X XXX</td> </tr> <tr> <td>ANGLES</td> <td></td> <td></td> <td></td> </tr> </tbody> </table>	DIM.	TOL.	DIM.	TOL.	mm	mm/in	in	mm/in	NO PLACES	X	1/04		ONE PLACE	X,X	0.4/016	X X	TWO PLACES	X,XX	0.15/006	X XX	THREE PLACES	X,XXX		X XXX	ANGLES			
DIM.	TOL.	DIM.	TOL.																									
mm	mm/in	in	mm/in																									
NO PLACES	X	1/04																										
ONE PLACE	X,X	0.4/016	X X																									
TWO PLACES	X,XX	0.15/006	X XX																									
THREE PLACES	X,XXX		X XXX																									
ANGLES																												
DESIGN UNITS <input type="checkbox"/> SI METRIC <input type="checkbox"/> US CUSTOMARY <input checked="" type="checkbox"/>																												
WEIGHT .004 LB																												

