

H MICRO SWITCH

FREERPORT, ILLINOIS, U.S.A.
A DIVISION OF HONEYWELL

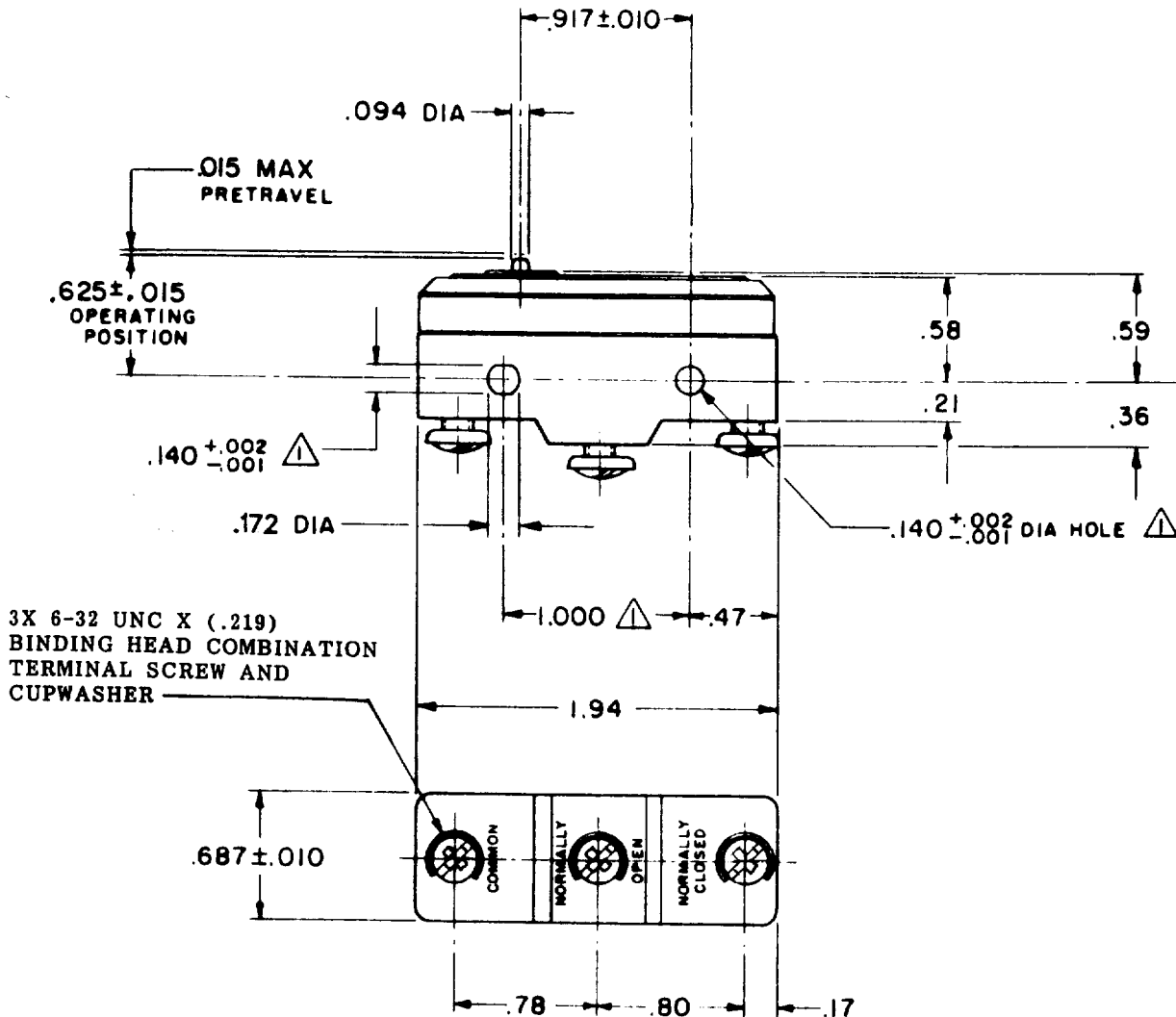
FED. MFG. CODE 91929

SWITCH - BASIC

CATALOG LISTING

BZ-1R5421-A2

BZ-1R5421-A2
 M
 DRAWING NUMBER
 X 2
 ISSUE
 3
 REVISIONS
 A CO-73287-J
 J A L
 22 NOV 93
 B CO-77589
 K D R
 29 MAR 94
 CHECK
 T O C T 6 3
 CHECK
 E B
 CHECK
 T O C T 6 3
 DRAW
 CHECK
 V D F 4 O C T ' 6 3
 DRAWN
 FO-50378



NOTE -
 ▲ - MOUNTING HOLES WILL ACCEPT PINS OR SCREWS OF .139 MAX DIA ON 1.000 ± .002 CENTERS

THIS DRAWING COVERS A PROPRIETARY ITEM AND IS THE PROPERTY OF MICRO SWITCH, A DIVISION OF MINNEAPOLIS-HONEYWELL REGULATOR CO. THIS DRAWING IS NOT TO BE COPIED OR USED WITHOUT THE APPROVAL OF MICRO SWITCH.

CHARACTERISTICS

OPERATING FORCE ——— 4 OZ MAX
 RELEASE FORCE ——— 2 1/2 OZ MIN
 DIFFERENTIAL TRAVEL ——— .001 MAX
 OVERTRAVEL ——— .005 MIN

ELECTRICAL DATA

CONTACT ARRANGEMENT
 S P D T

UNDERWRITERS' LAB. INC. LISTED RATING
 -L B- 10 A-125, 250 OR 480 VAC



SCALE FULL

DO NOT SCALE PRINT

UNLESS OTHERWISE NOTED

DIMENSIONS ARE IN INCHES

TOLERANCES ARE:

ONE PLACE	(.0)	± .030
TWO PLACE	(.00)	± .015
THREE PLACE	(.000)	± .008
ANGLES		±

WEIGHT .063 LB