

MICRO SWITCH

FREEMONT ILLINOIS U.S.A.
A DIVISION OF HONEYWELL

FED. MFG. CODE 91929

SWITCH - BASIC

CATALOG LISTING

BZ-2R5551T

BZ-2R5551T

PAGE 1 OF 1

M

DRAWING NUMBER

6

ISSUE

REPLACES

RELEASE NO. PR-3997

CHECK

REVISIONS

A	C058432	TSK	11 NOV 85
B	C067209	JAP	3 MAY 90
C	CO-89351-D	JWB	18 JUL 91
D	CO-77589	JAL	30 MAR 94
E	C093346	DLT	4 SEP 98

CHECK

13 MAR 74

LSD

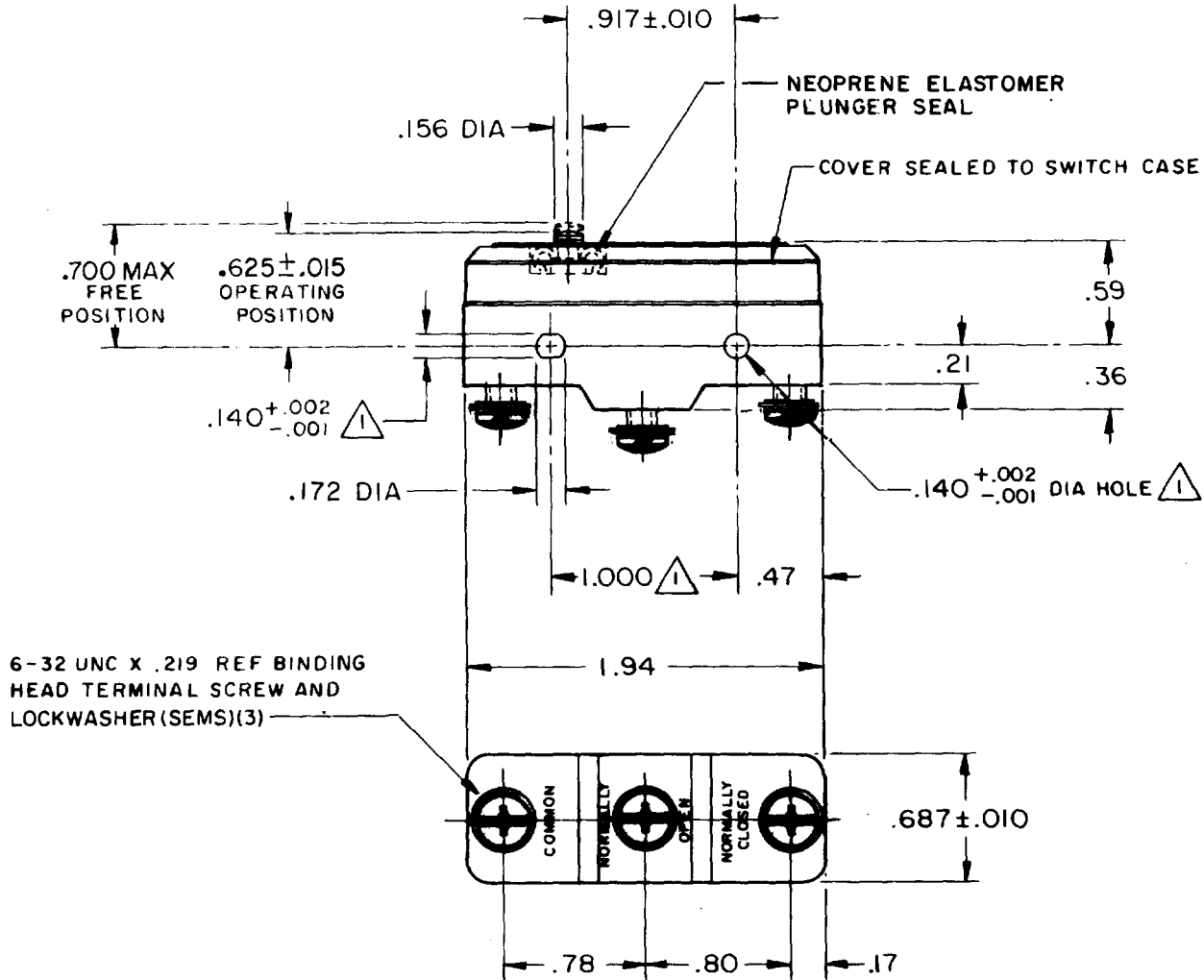
74

MAR 74

FORMTEK

FO-52848

DRAWN



NOTES

- 1 MOUNTING HOLES WILL ACCEPT PINS OR SCREWS OF .139 MAX DIA ON 1.000 ± .002 CENTERS
- 2 - SEALED CONSTRUCTION PROVIDES SPLASH RESISTANCE

THIS DRAWING COVERS A PROPRIETARY ITEM AND IS THE PROPERTY OF MICRO SWITCH, A DIVISION OF HONEYWELL. THIS DRAWING IS NOT TO BE COPIED OR USED WITHOUT THE APPROVAL OF MICRO SWITCH.

CHARACTERISTICS	ELECTRICAL DATA	SCALE FULL
OPERATING FORCE-----8-15 OZ	CONTACT ARRANGEMENT S P D T	DO NOT SCALE PRINT
RELEASE FORCE-----4 OZ MIN	L96 15A 125, 250 OR 480 VAC 1/8 HP 125 VAC, 1/4 HP 250 VAC 1/2A 125 VDC, 1/4A 250 VDC	UNLESS OTHERWISE NOTED DIMENSIONS ARE IN INCHES TOLERANCES ARE
DIFFERENTIAL TRAVEL---.0004-.0025	L288 L299 L306	ONE PLACE (.01) ± .030 TWO PLACE (.00) ± .015 THREE PLACE (.000) ± .005
OVERTRAVEL-----.005 MIN	CE Ⓟ RU Ⓟ 16A 250V ~ T85 5E4	ANGLES ±
		WEIGHT .065 LB