

MICRO SWITCH
a Honeywell Division

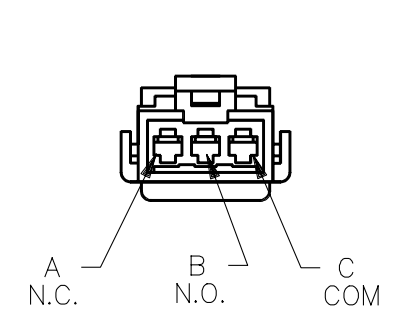
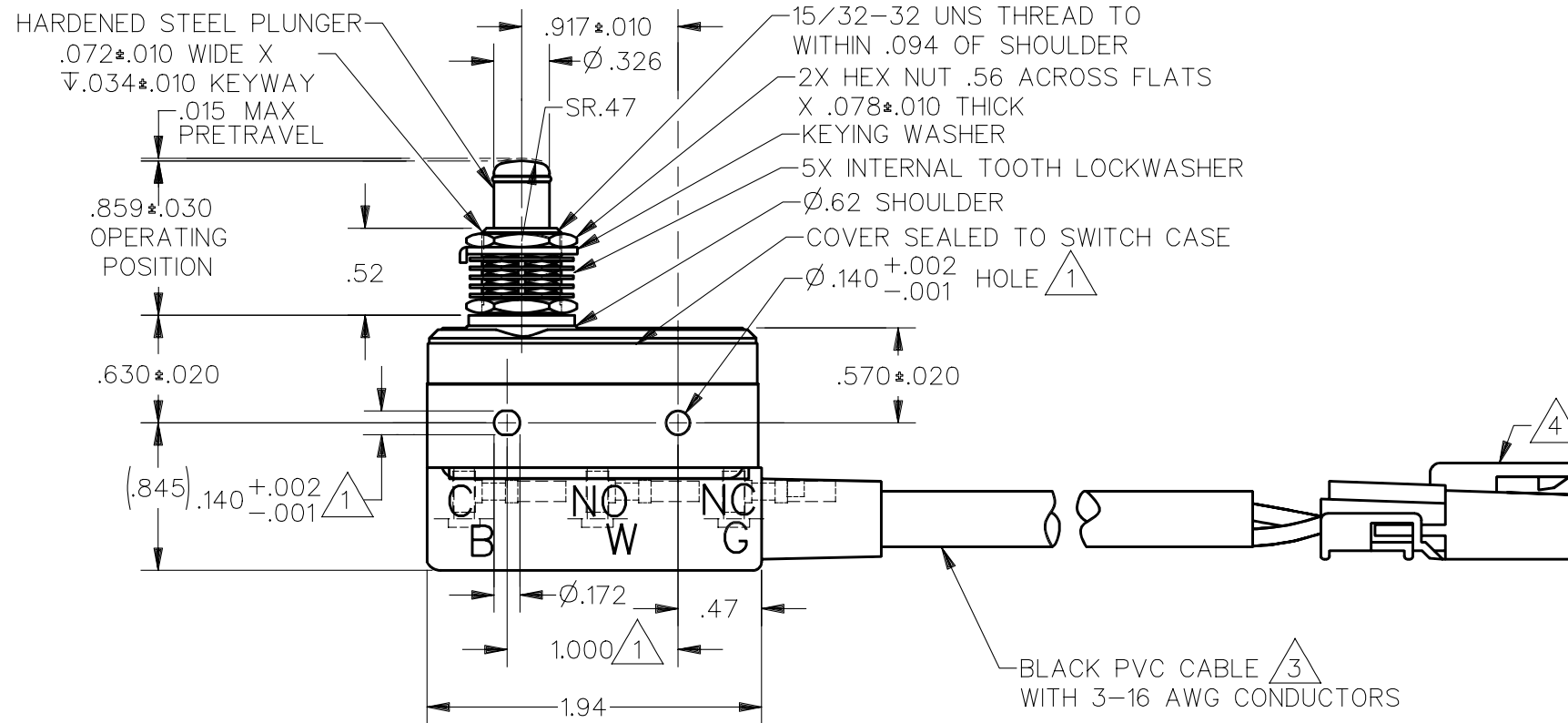
FED. MFG. CODE 91929

SWITCH - BASIC

CATALOG LISTING

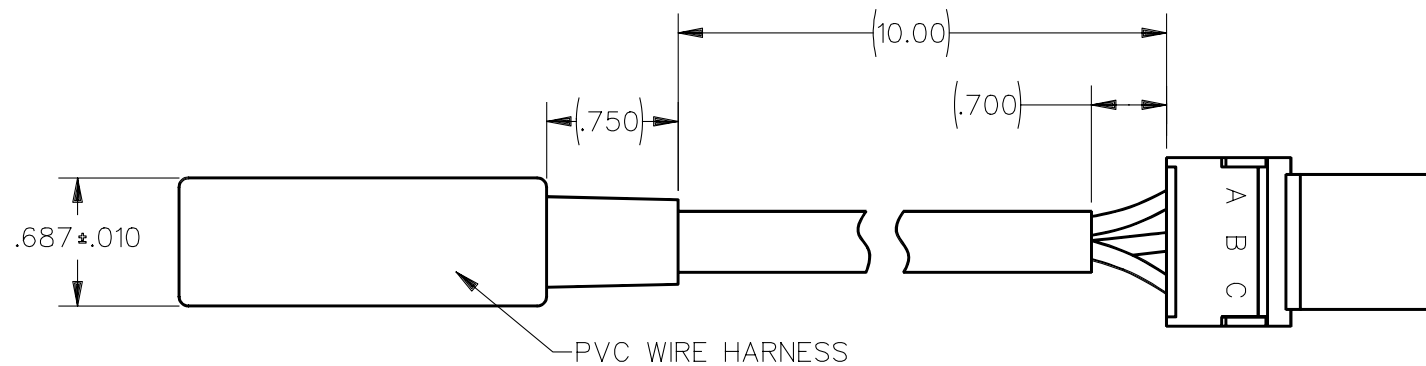
BZ-2RQ1015-W109

CATALOG LISTING
BZ-2RQ1015-W109
PAGE 1 OF 1
REPLACES
PR-22625
CHECK
ISSUE
2



REVISIONS
A C092105
C S L
21 NOV 97

DDM/CAD
DRAWN
J J A 28 FEB 97
CHECK
J J A 28 FEB 97
CHECK
J J A 28 FEB 97



- NOTES
- (1) MOUNTING HOLES WILL ACCEPT PINS OR SCREWS OF Ø.139 MAX ON 1.000±.002 CENTERS
 - 2 - SEALED CONSTRUCTION PROVIDES SPLASH RESISTANCE
 - (3) BLACK LEAD IS ATTACHED TO THE COMMON TERMINAL
WHITE LEAD IS ATTACHED TO THE N.O. TERMINAL
GREEN LEAD IS ATTACHED TO THE N.C. TERMINAL
 - (4) CONNECTOR: PAC1202 0398
 - 5 - CONTACT MATERIAL - FASALOY #5

THIS DRAWING COVERS A PROPRIETARY ITEM AND IS THE PROPERTY OF MICRO SWITCH, A DIVISION OF HONEYWELL. THIS DRAWING IS NOT TO BE COPIED OR USED WITHOUT THE APPROVAL OF MICRO SWITCH		THIRD ANGLE PROJECTION
CHARACTERISTICS	ELECTRICAL DATA	SCALE FULL
OPERATING FORCE — — — — 9 — 13 OZ.	CONTACT ARRANGEMENT S P D T	DO NOT SCALE PRINT
RELEASE FORCE — — — — 4 OZ. MIN		UNLESS OTHERWISE SPECIFIED TOLERANCES ARE
DIFFERENTIAL TRAVEL — — .0004 — .0020		ONE PLACE (.0) ±.030
OVERTRAVEL — — — — .219 MIN		TWO PLACE (.00) ±.015
		THREE PLACE (.000) ±.005
		ANGLES ±
		WEIGHT

ANSI Y14.5M-1982 APPLIES