



MICRO SWITCH

FREEPORT, ILLINOIS U.S.A.
A DIVISION OF HONEYWELL

FED. MFG. CODE 81829

SWITCH - BASIC

CATALOG LISTING

BZ-2RQ13-A2

FORMTEK
FO-80378

REVISIONS

A	CO17410	G C H	22 MAY 63
B	CO18433	M B F	3 SEP 63
C	CO37436	C E B	13 SEPT 76
D	CO-73287-J	J A L	22 NOV 93
E	CO-77588	MAM	29 MAR 94
F	CO-82133	CSL	30 JUL 96
G	CO93346	D L T	10 SEP 98

RELEASE NO

REPLACES

DRAWING NUMBER

ISSUE

CHECK

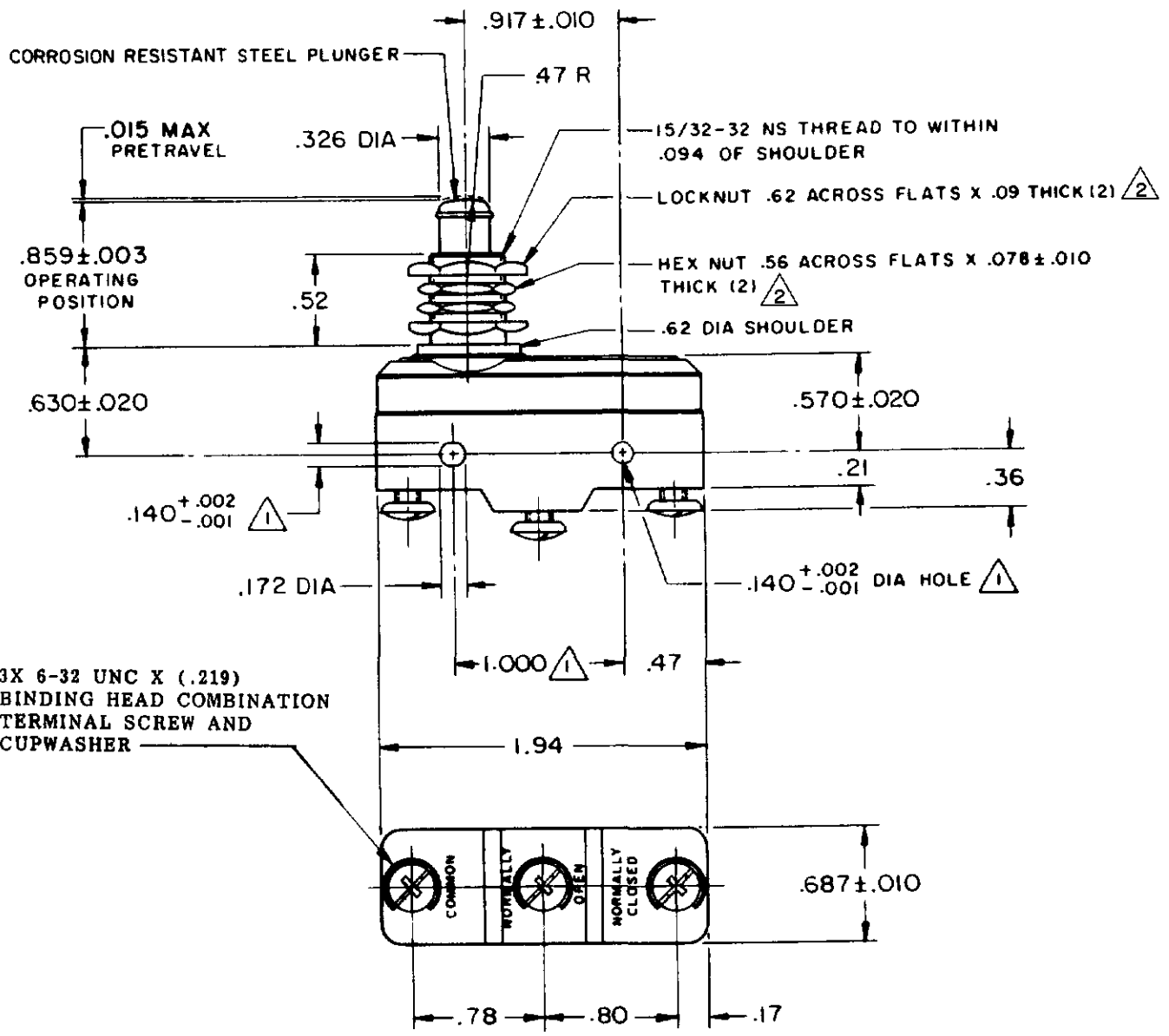
DATE

BY

15 JUN 63

22 MAY 63

10 SEP 98



3X 6-32 UNC X (.219)
BINDING HEAD COMBINATION
TERMINAL SCREW AND
CUPWASHER

- NOTES**
- ① MOUNTING HOLES WILL ACCEPT PINS OR SCREWS OF .139 MAX DIA ON 1.000±.002 CENTERS
 - ② HARDWARE FURNISHED UNASSEMBLED

THIS DRAWING COVERS A PROPRIETARY ITEM AND IS THE PROPERTY OF MICRO SWITCH, A DIVISION OF MINNEAPOLIS-HONEYWELL REGULATOR CO. THIS DRAWING IS NOT TO BE COPIED OR USED WITHOUT THE APPROVAL OF MICRO SWITCH.

CHARACTERISTICS	ELECTRICAL DATA	SCALE FULL
OPERATING FORCE ----- 9 - 13 OZ	CONTACT ARRANGEMENT S P D T	DO NOT SCALE PRINT
RELEASE FORCE ----- 4 OZ MIN	UNDERWRITERS' LAB INC. LISTED RATING	UNLESS OTHERWISE NOTED
DIFFERENTIAL TRAVEL ----- .0004 - .0020	-L96- 1/2 A - 125, 250, OR 400 VAC	DIMENSIONS ARE IN INCHES
OVERTRAVEL ----- .219 MIN	1/2 A - 125 VDC, 1/4 A - 250 VDC	TOLERANCES ARE:
	1/8 HP - 125 VAC, 1/4 HP - 250 VAC	ONE PLACE (0) ± .030
	-L288-	TWO PLACE (00) ± .015
	-L299-	THREE PLACE (000) ± .005
	-L306-	ANGLES ±
	16A 250V ~ T85 5E4	WEIGHT .094 LB