

MICRO SWITCH

FREERPORT ILLINOIS, U.S.A
A DIVISION OF HONEYWELL
FED. MFG. CODE 91929

SWITCH-BASIC

CATALOG LISTING

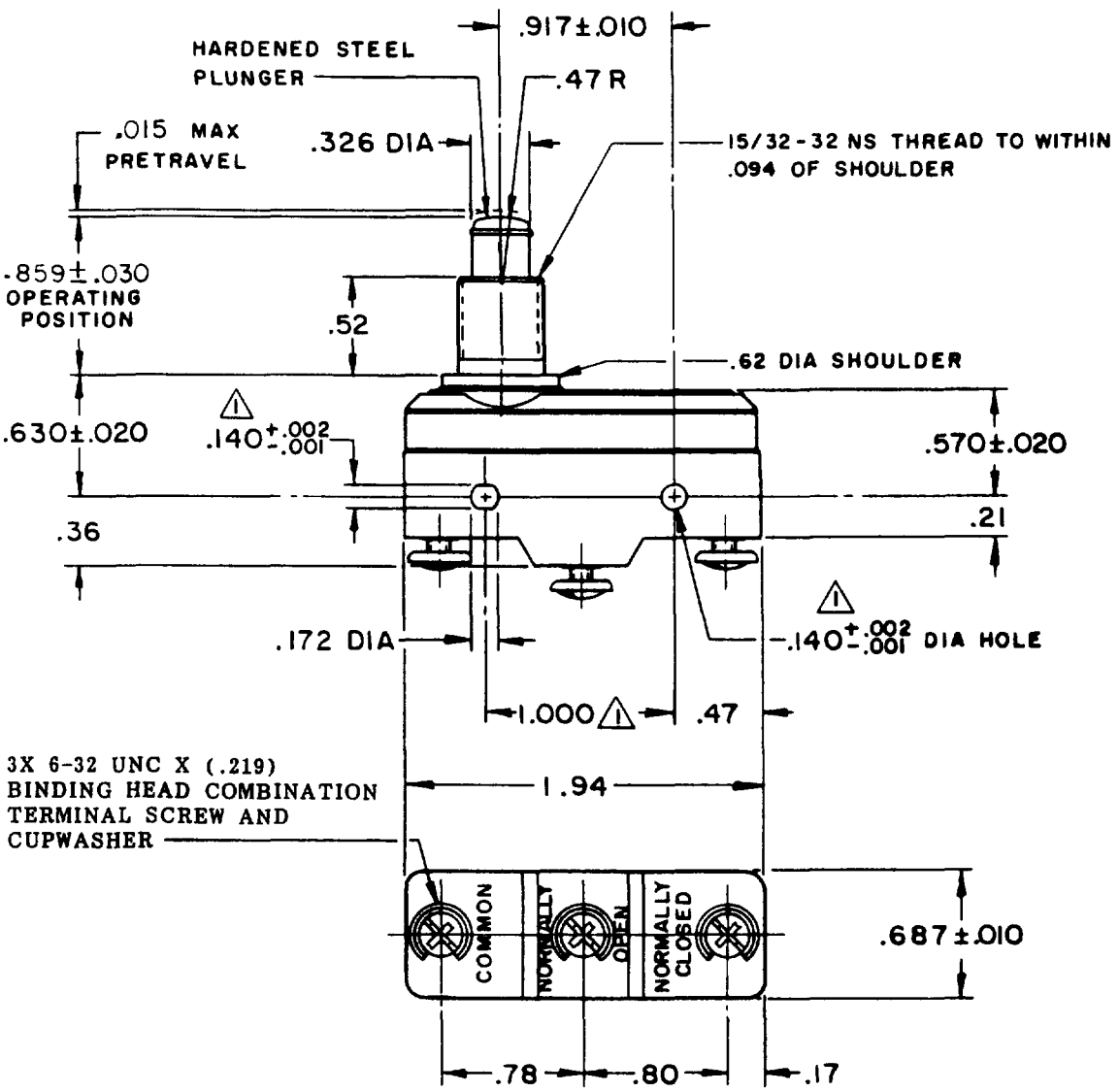
BZ-2RQ174-A2

M BZ-2RQ174-A2
 DRAWING NUMBER
 ISSUE 5
 REPLACES
 RELEASE NO. PR-3288
 PAGE 1 OF 1

REVISIONS

| | | | |
|---|---------|------|-----------|
| A | C080986 | JALA | 26 JUN 95 |
| B | C093346 | DLT | 10 SEP 98 |

CHECK
 CHECK
 26 APR 73
 26 APR 73
 DRAWN
 R E R 25 APR 73
 FORMTEK



- NOTES
- 1 - MOUNTING HOLES WILL ACCEPT PINS OR SCREWS OF .139 MAX DIA ON 1.000 ± .002 CENTERS
 - 2 - FURNISH NUT-LKG(1) UNASSEMBLED IN BULK

THIS DRAWING COVERS A PROPRIETARY ITEM AND IS THE PROPERTY OF MICRO SWITCH, A DIVISION OF HONEYWELL. THIS DRAWING IS NOT TO BE COPIED OR USED WITHOUT THE APPROVAL OF MICRO SWITCH.

| CHARACTERISTICS | ELECTRICAL DATA | SCALE FULL |
|-----------------------------------|--|---|
| OPERATING FORCE-----9-13 OZ | CONTACT ARRANGEMENT S P D T | DO NOT SCALE PRINT |
| RELEASE FORCE-----4 OZ MIN | UNDERWRITERS' LAB. INC. LISTED RATING 15A-125, 250 OR 480 VAC -L86- 1/8HP-125 VAC; 1/4HP-250 VAC 1/2A-125 VDC; 1/4A-250 VDC | UNLESS OTHERWISE NOTED DIMENSIONS ARE IN INCHES TOLERANCES ARE |
| DIFFERENTIAL TRAVEL---.0004-.0020 | -L288- -L299- -L306- | ONE PLACE (.01) ± .030 TWO PLACE (.00) ± .015 THREE PLACE (.000) ± .005 |
| OVERTRAVEL-----.219 MIN | CE D S 16A 250V ~ T85 5E4 | ANGLES ± |
| | | WEIGHT .094 LB |