

MICRO SWITCH

FREEPORT ILLINOIS, U.S.A
A DIVISION OF HONEYWELL

FED. MFG. CODE 91929

SWITCH - BASIC

CATALOG LISTING

BZ-2RW8244-P4

DRAWING NUMBER
M BZ-2RW8244-P4
PAGE 1 OF 1
REPLACES
RELEASE NO. PR-1926

ISSUE
8

CHECK

REVISIONS

A	C080986
JALA 26 JUN 95	
B	C093346
DLT 28 AUG 98	

CHECK

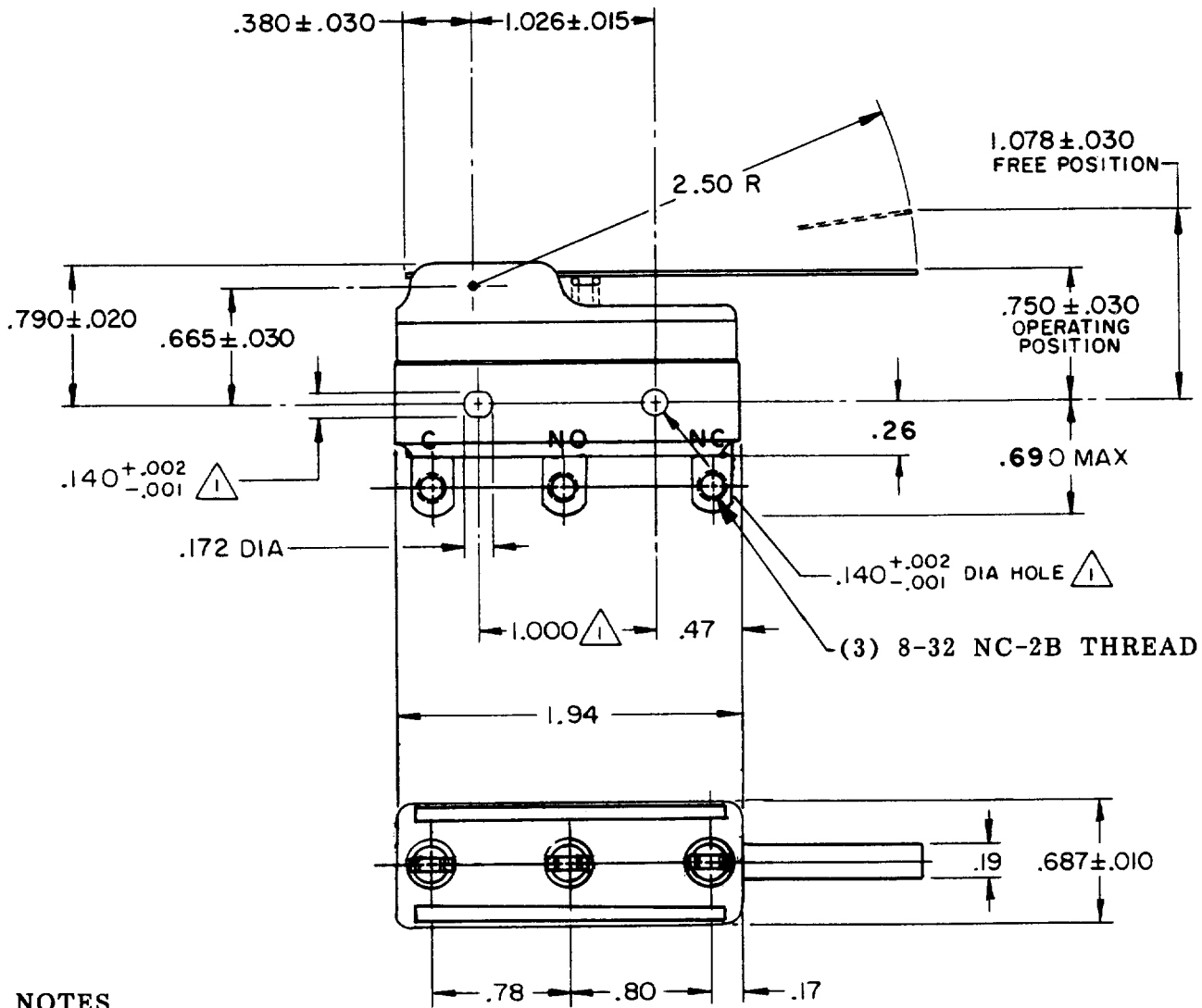
71 JUN 71

DRAWN

OMW

21 JUN 71

FORMTEK



NOTES

- ① MOUNTING HOLES WILL ACCEPT PINS OR SCREWS OF $.139$ MAX DIA ON $1.000 \pm .002$ CENTERS
- 2 - SWITCH WILL WITHSTAND TEMPERATURE OF $400^\circ F$ FOR 100 HOURS
- 3 - 3X BINDING HEAD TERMINAL SCREW AND 3X CUPWASHER FURNISHED UNASSEMBLED

THIS DRAWING COVERS A PROPRIETARY ITEM AND IS THE PROPERTY OF MICRO SWITCH, A DIVISION OF HONEYWELL. THIS DRAWING IS NOT TO BE COPIED OR USED WITHOUT THE APPROVAL OF MICRO SWITCH.

CHARACTERISTICS

OPERATING FORCE-----2 1/2 OZ MAX
RELEASE FORCE-----1/2 OZ MIN
DIFFERENTIAL TRAVEL-----.007-.050
OVERTRAVEL-----.219 MIN

ELECTRICAL DATA

CONTACT ARRANGEMENT
S P D T

UNDERWRITERS' LAB. INC. LISTED RATING
-L35- 5A-125, 250 OR 480 VAC
1/2A-125 VDC; 1/4A-250 VDC

-L288-



SCALE FULL

DO NOT SCALE PRINT

UNLESS OTHERWISE NOTED

DIMENSIONS ARE IN INCHES

TOLERANCES ARE:

ONE PLACE (.0) $\pm .030$
TWO PLACE (.00) $\pm .015$
THREE PLACE (.000) $\pm .005$
ANGLES \pm

WEIGHT .073 LB