



MICRO SWITCH

FREERPORT, ILLINOIS, U.S.A.
A DIVISION OF HONEYWELL

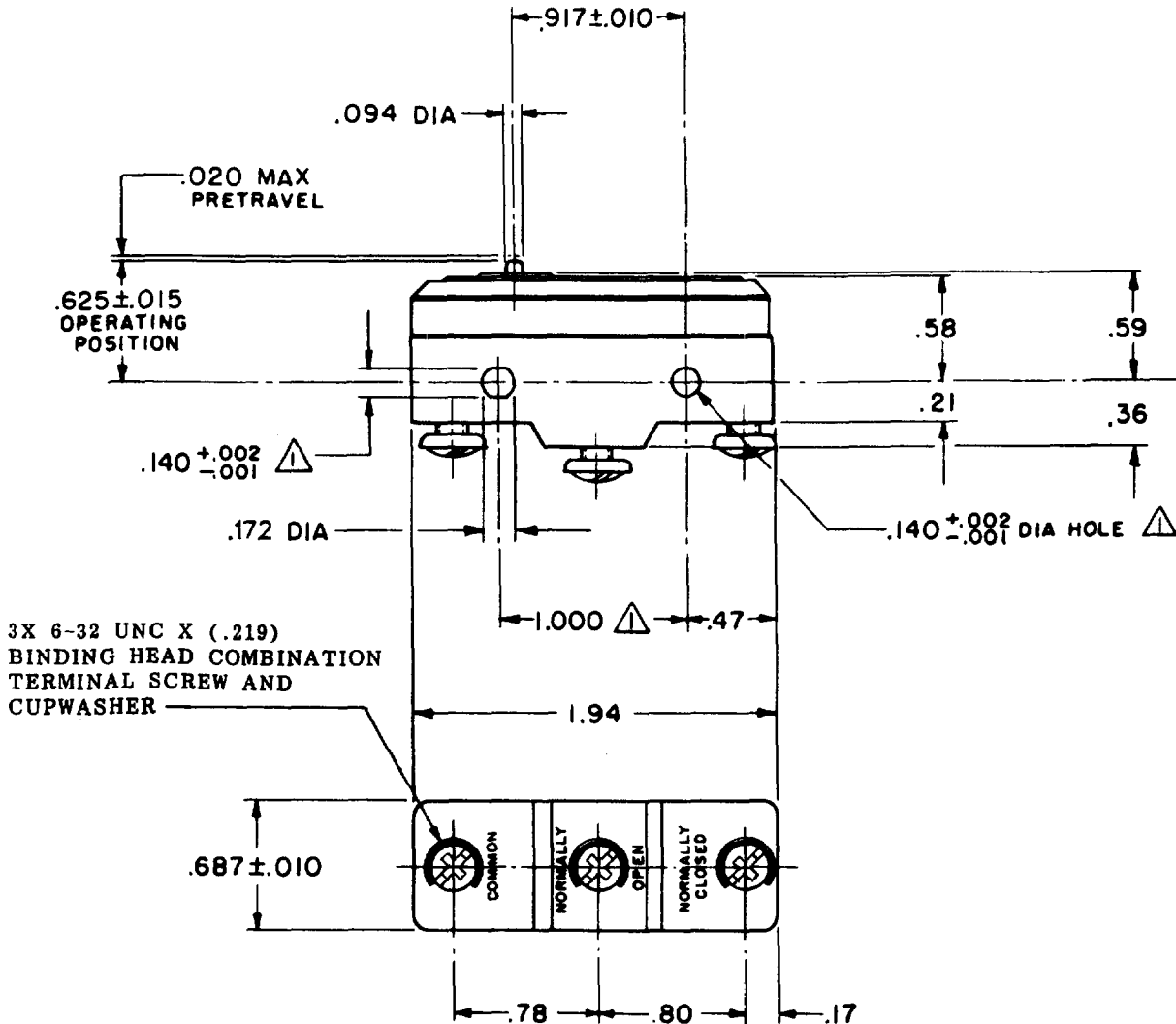
FED. MFG. CODE 91829

SWITCH - BASIC

CATALOG LISTING

BZ-3R-A2

M BZ-3R-A2
 PAGE 1 OF 1
 DRAWING NUMBER
 ISSUE 5
 REVISIONS
 A CO17410
 B C H
 12 APRIL 63
 B CO-73287-J
 J A L
 22 NOV 93
 C CO-77589
 K D R
 28 MAR 94
 D C093346
 D L T
 8 SEP 98
 FORMTEK
 FO-80376
 DRAWN
 G C H 12 APRIL 63
 CHECK L S D 23 APR '63
 CHECK
 RELEASE NO.
 CHECK
 REPLACES



NOTE
 ▲ MOUNTING HOLES WILL ACCEPT PINS OR SCREWS OF .139 MAX DIA ON 1.000 ±.002 CENTERS

THIS DRAWING COVERS A PROPRIETARY ITEM AND IS THE PROPERTY OF MICRO SWITCH, A DIVISION OF MINNEAPOLIS-HONEYWELL REGULATOR CO. THIS DRAWING IS NOT TO BE COPIED OR USED WITHOUT THE APPROVAL OF MICRO SWITCH.

CHARACTERISTICS	ELECTRICAL DATA	SCALE FULL
OPERATING FORCE ----- 14 - 20 OZ	CONTACT ARRANGEMENT S P B T	DO NOT SCALE PRINT
RELEASE FORCE ----- 4 OZ MIN	L96 15A 125, 250 OR 480 VAC 1/8HP 125 VAC, 1/4HP 250 VAC 1/2A 125 VDC, 1/4A 250 VDC	UNLESS OTHERWISE NOTED DIMENSIONS ARE IN INCHES
DIFFERENTIAL TRAVEL ----- .0008 - .0030	L288 L299 L306 16A 250V ~ T85 5E4	TOLERANCES ARE: ONE PLACE (.0) ±.030 TWO PLACE (.00) ±.015 THREE PLACE (.000) ±.005 ANGLES 1/2
OVERTRAVEL ----- .005 MIN		WEIGHT .063 LB