



MICRO SWITCH

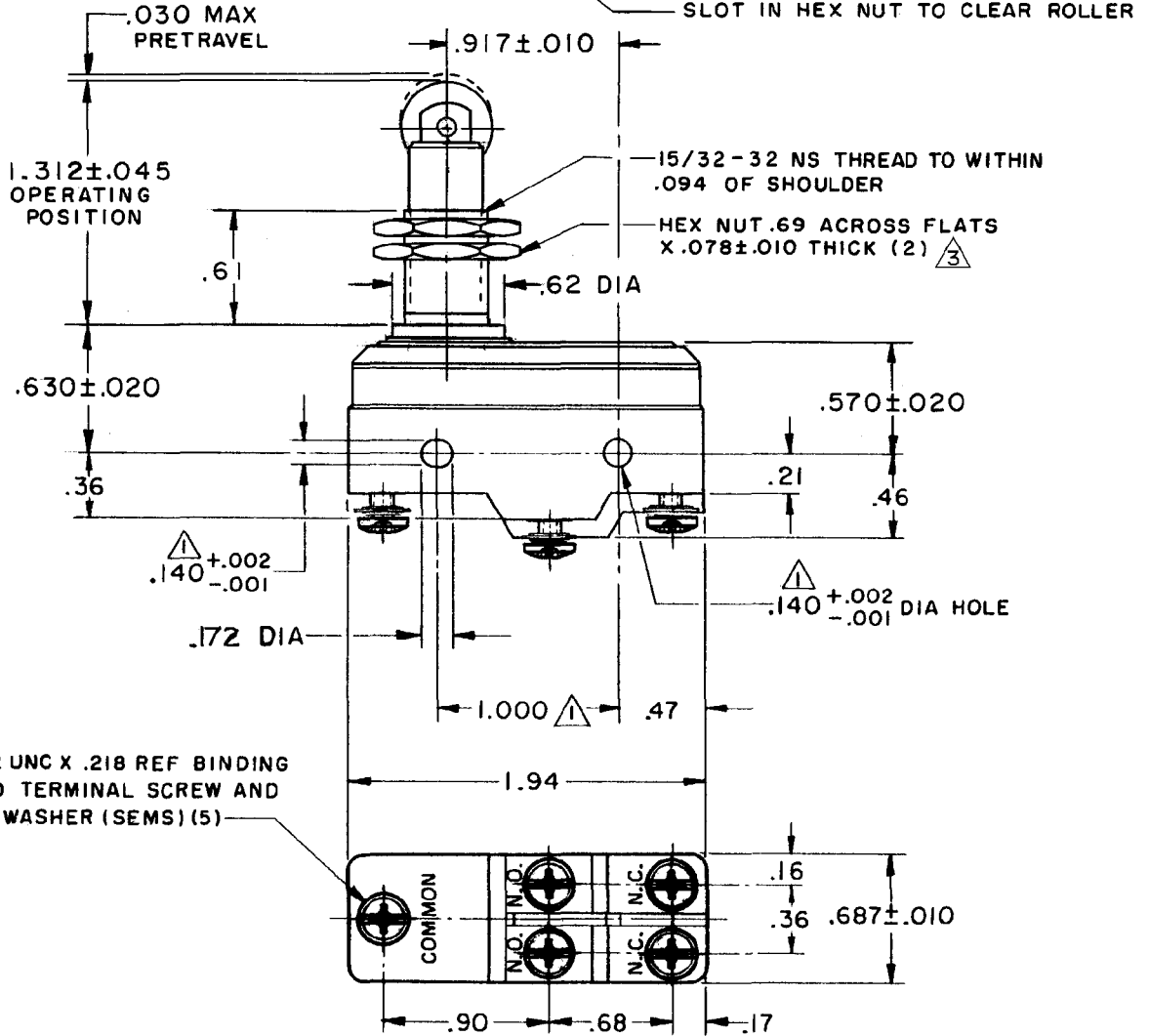
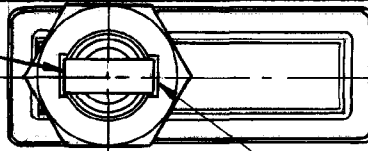
FREEPORT, ILLINOIS, U.S.A.
A DIVISION OF HONEYWELL

FED. MFG. CODE 91929

SWITCH-BASIC

CATALOG LISTING
BZ-3YQ18T

.50 DIA X .18 WIDE SINTERED
STAINLESS STEEL ROLLER



6-32 UNC X .218 REF BINDING
HEAD TERMINAL SCREW AND
LOCKWASHER (SEMS) (5)

NOTES

- ① MOUNTING HOLES WILL ACCEPT PINS OR SCREWS OF .139 MAX DIA ON 1.000 ± .002 CENTERS
- 2 - SWITCH WILL PERFORM SATISFACTORILY IN TEMPERATURES TO MINUS 65° F
- ③ HARDWARE FURNISHED UNASSEMBLED

THIS DRAWING COVERS A PROPRIETARY ITEM AND IS THE PROPERTY OF MICRO SWITCH, A DIVISION OF MINNEAPOLIS-HONEYWELL REGULATOR CO. THIS DRAWING IS NOT TO BE COPIED OR USED WITHOUT THE APPROVAL OF MICRO SWITCH.

CHARACTERISTICS

OPERATING FORCE — — — — 16-26 OZ
 RELEASE FORCE — — — — 4 OZ MIN
 DIFFERENTIAL TRAVEL — — .001-.004
 OVERTRAVEL — — — — .140 MIN

ELECTRICAL DATA

CONTACT ARRANGEMENT
SINGLE POLE DOUBLE THROW SPLIT CONTACT

UNDERWRITERS' LAB. INC. LISTED RATING
-L4- 5 A-250 VAC



SCALE FULL

DO NOT SCALE PRINT

UNLESS OTHERWISE NOTED

DIMENSIONS ARE IN INCHES

TOLERANCES ARE:

ONE PLACE (.0) ±.030
 TWO PLACE (.00) ±.015
 THREE PLACE (.000) ±.005
 ANGLES ±

WEIGHT .088 LB

BZ-3YQ18T

M

DRAWING NUMBER

ISSUE

∞

REPLACES

RELEASE NO. SR12586

CHECK

REVISIONS

A	SR12586	M B F	1 DEC 66
B	CO-69351-D	JWB	18 JUL 91
C	CO-77590	SAR	11 JAN 94
D	CO-77462-B	DLT	30 JUN 94
E	CO-82133	CSL	1 AUG 96
F	0005508	PEH/AP	18 MAY 04
G	0005642	TCC/AP	26 MAY 04

CHECK

NOV 63

CHECK

NOV 63

CHECK

OCT 63

FORMTEK
FO-50378

DRAWN

CHECK

OCT 63