



**MICRO SWITCH**

FREEPORT, ILLINOIS, U.S.A.  
A DIVISION OF HONEYWELL

FED. MFG. CODE 91929

# SWITCH-BASIC

CATALOG LISTING

## BZ-R21

DRAWING NUMBER  
**BZ-R21**

PAGE 1 OF 1

REPLACES

RELEASE NO.

DRAWING NUMBER

**M**

ISSUE

11

CHECK

REVISIONS

A	CO 15200
	W L K 27 FEB 64
B	CO30626
	D B W 24 MAY 72
C	CO46304
	J A P 12 OCT 79
D	CO 58037
	SMA 1 OCT 85
E	CO- 78874
	DLT 17 NOV 94
F	CO- 94212-J
	J J A 4 OCT 99

CHECK

CHECK

CHECK

CHECK

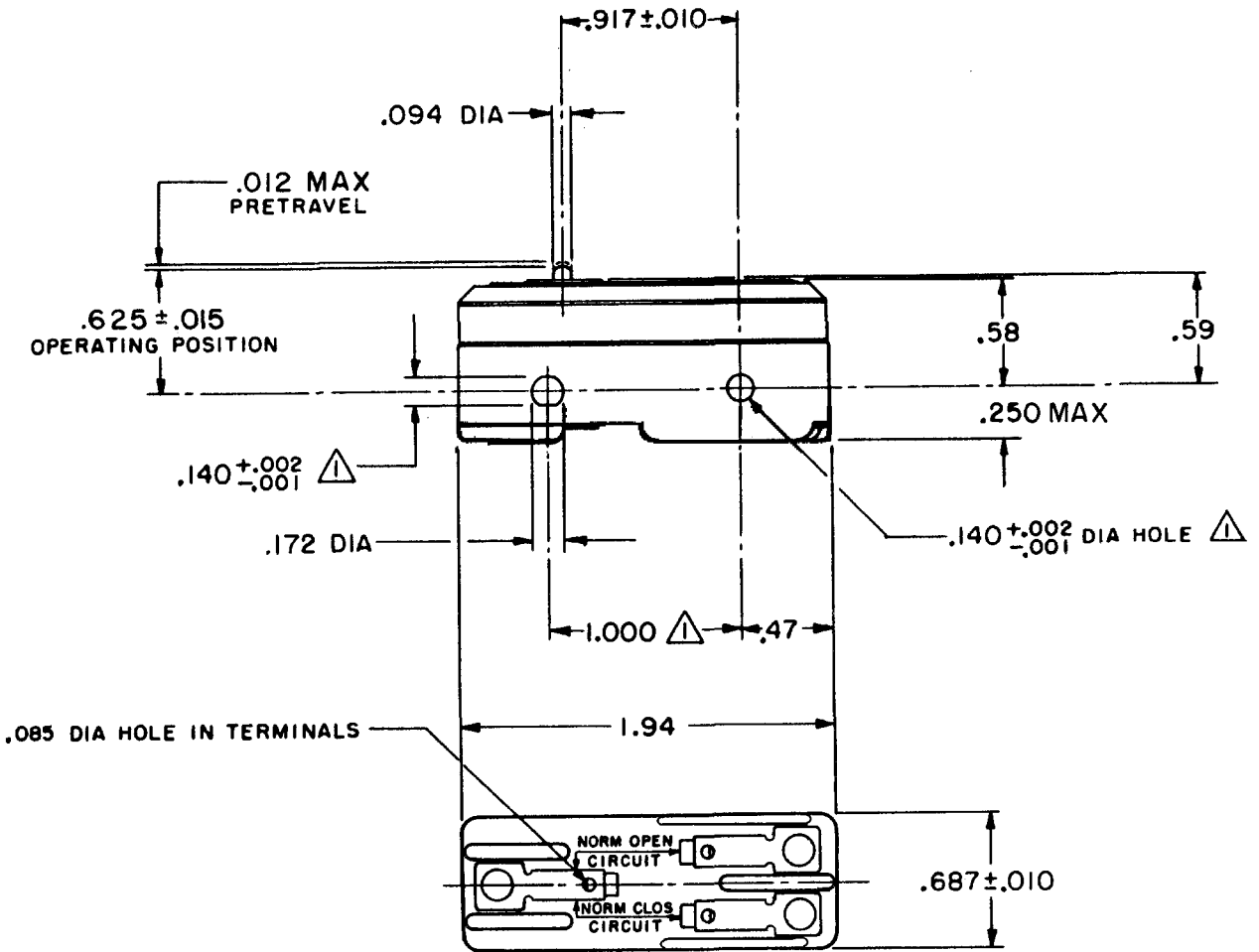
CHECK

CHECK

CHECK

CHECK

CHECK



NOTE  
 - MOUNTING HOLES WILL ACCEPT PINS OR SCREWS OF .139 MAX DIA ON 1.000 ± .002 CENTERS

THIS DRAWING COVERS A PROPRIETARY ITEM AND IS THE PROPERTY OF MICRO SWITCH, A DIVISION OF MINNEAPOLIS-HONEYWELL REGULATOR CO. THIS DRAWING IS NOT TO BE COPIED OR USED WITHOUT THE APPROVAL OF MICRO SWITCH.

### CHARACTERISTICS

OPERATING FORCE----- 4 OZ MAX  
 RELEASE FORCE----- 2 1/2 OZ MIN  
 DIFFERENTIAL TRAVEL---.0002-.0005  
 OVERTRAVEL----- .005 MIN

### ELECTRICAL DATA

CONTACT ARRANGEMENT  
 S P D T  
 L95  
 10A 125, 250 OR 480 VAC  
 1/8HP 125 VAC, 1/4HP 250 VAC

### SCALE FULL

DO NOT SCALE PRINT  
 UNLESS OTHERWISE NOTED  
 DIMENSIONS ARE IN INCHES  
**TOLERANCES ARE:**  
 ONE PLACE (.0) ±.030  
 TWO PLACE (.00) ±.015  
 THREE PLACE (.000) ±.005  
 ANGLES ±

WEIGHT .050 LB



FORMTEK

FO-90378

DRAWN

W L K 27 FEB 64