

MICRO SWITCH

FREEPORT ILLINOIS, U.S.A
A DIVISION OF HONEYWELL INC.
FED. MFG. CODE 91929

SWITCH-BASIC

CATALOG LISTING
BZ-R55-P4-S

M BZ-R55-P4-S

DRAWING NUMBER

5

ISSUE

REPLACES X90330-BZ

RELEASE NO. PR-17555

CHECK

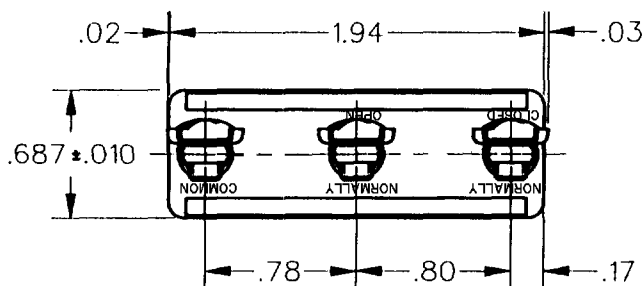
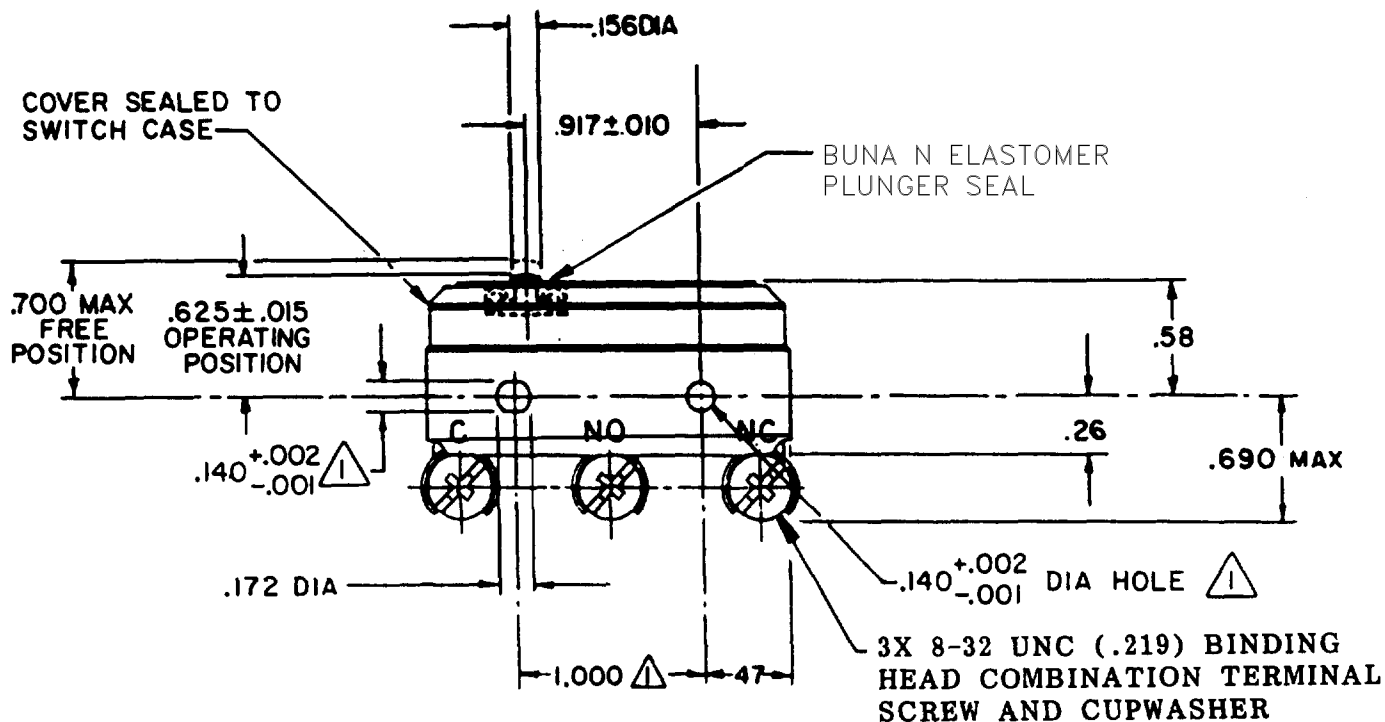
CHECK

WJM

4 AUG 89

4 AUG 89

FORMTEK

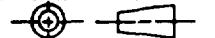


NOTES

- 1 MOUNTING HOLES WILL ACCEPT PINS OR SCREWS OF .139 MAX DIA ON 1.000 ± .002 CENTERS
- 2 - SEALED CONSTRUCTION PROVIDES SPLASH RESISTANCE

THIS DRAWING COVERS A PROPRIETARY ITEM AND IS THE PROPERTY OF MICRO SWITCH, A DIVISION OF HONEYWELL. THIS DRAWING IS NOT TO BE COPIED OR USED WITHOUT THE APPROVAL OF MICRO SWITCH.

THIRD ANGLE PROJECTION



CHARACTERISTICS

OPERATING FORCE --- 6 1/2 - 10 OZ.

RELEASE FORCE ----- 4 OZ. MIN.

DIFFERENTIAL TRAVEL -- .0002 - .0005

OVERTRAVEL ----- .005 MIN.

ELECTRICAL DATA

CONTACT ARRANGEMENT
S P D T

L 103

15A 125, 250 OR 480 VAC
1/8 HP 125 VAC, 1/4 HP 250 VAC

SCALE FULL

DO NOT SCALE PRINT

UNLESS OTHERWISE SPECIFIED TOLERANCES ARE

ONE PLACE (.0) ± .030

TWO PLACE (.00) ± .015

THREE PLACE (.000) ± .005

ANGLES ±

WEIGHT .078 LB

