

HONEYWELL  
PART NUMBER  
GKE SERIES CHART 1

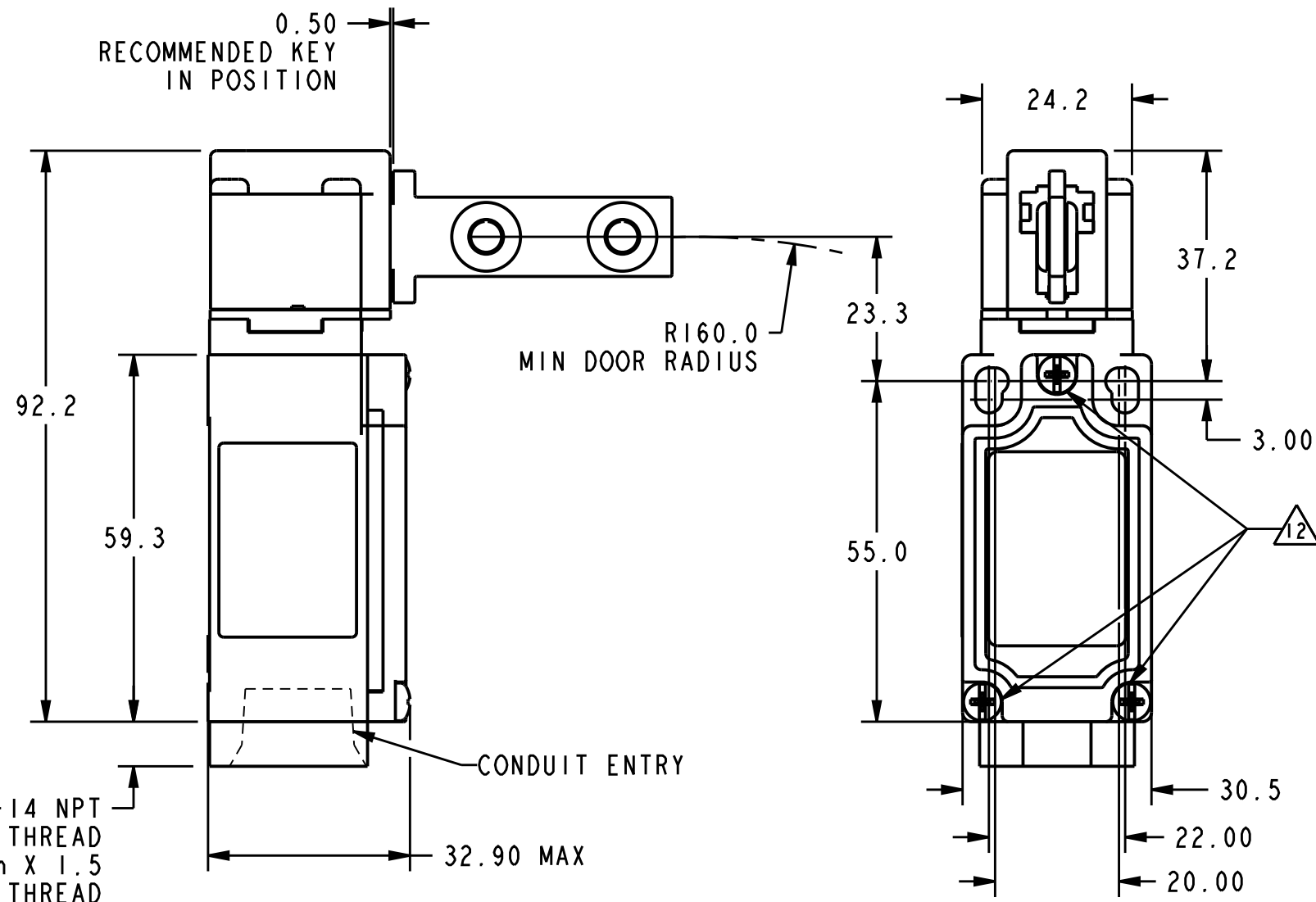
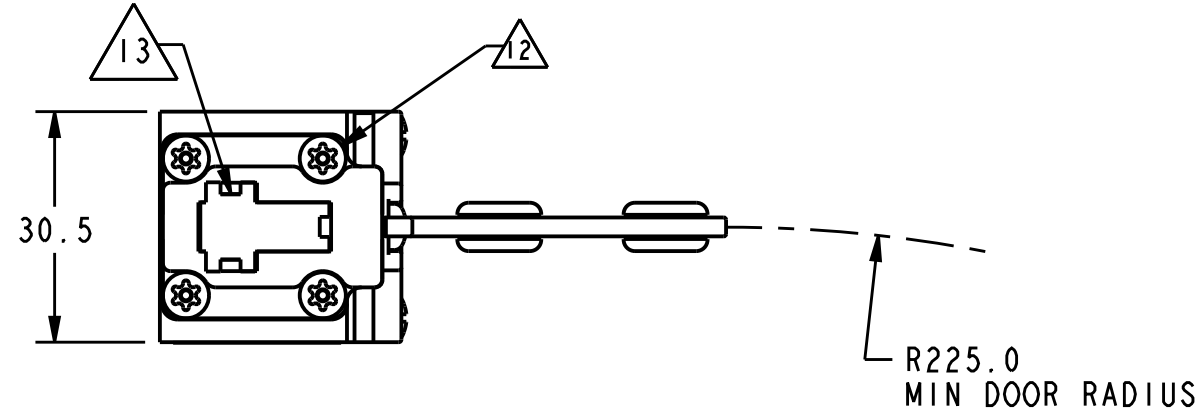
# GKE

REV	DOCUMENT	CHANGED BY	CHECK
E	0071000	AV 03NOV10	KNR

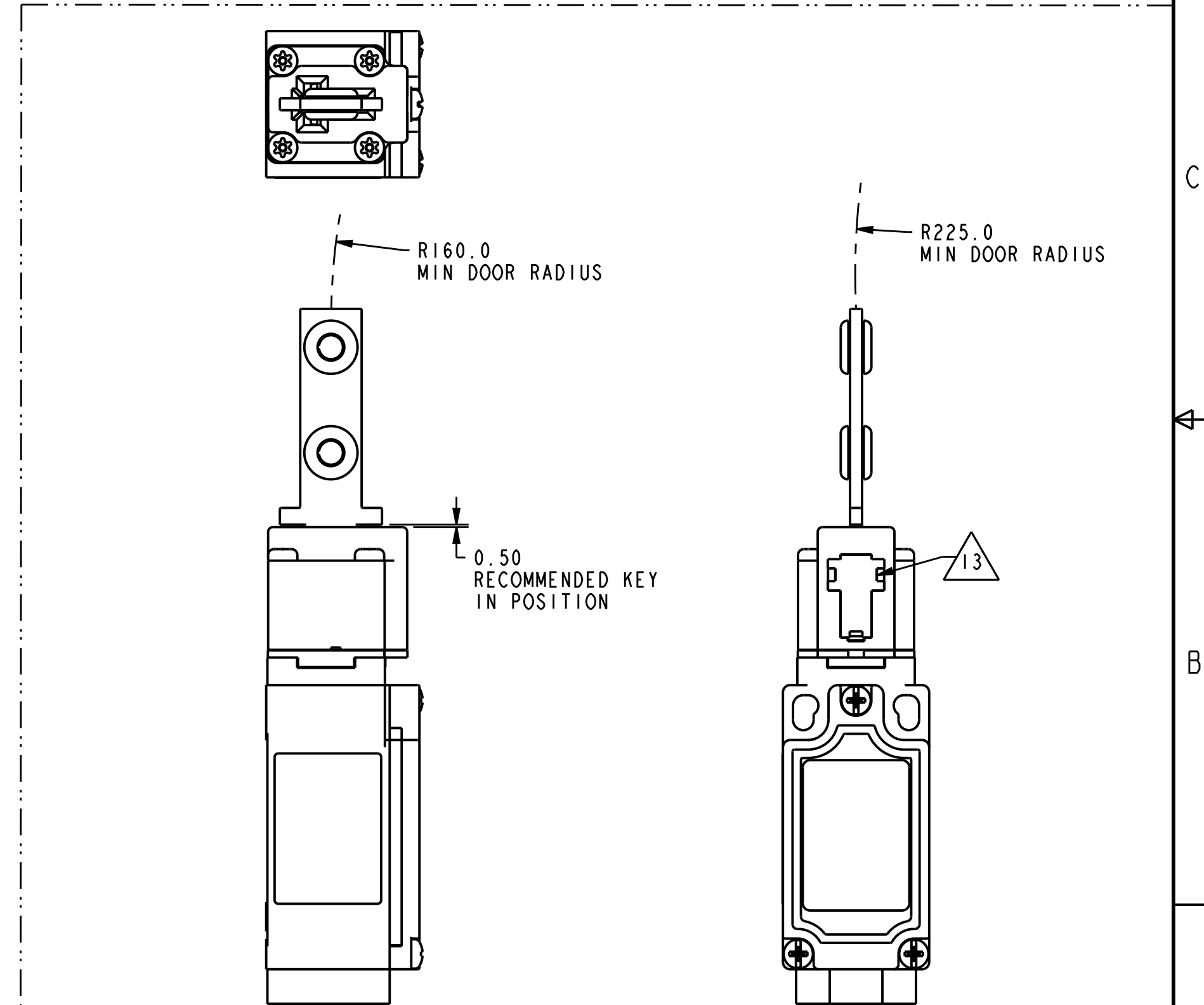
- NOTES:
- 1 - THERMOPLASTIC BODY AND HEAD
  - 2 - MINIMUM OPERATING VELOCITY ( $V_{min}$ ) = 2 mm/S  
MAXIMUM OPERATING VELOCITY ( $V_{max}$ ) = 200 mm/S  
MAXIMUM OPERATING FREQUENCY ( $F_{max}$ ) = 100 OPS/MIN
  - 3 - INSERTION FORCE = 7N NOM  
EXTRACTION FORCE = 15N NOM  
DISCONNECT FORCE = 25N MAX
  - 4 - SNAP ACTION N.C. CONTACTS: POSITIVE OPENING  
SLOW MAKE AND BREAK N.C. CONTACTS: DIRECT ACTING
  - 5 - WHEN KEY IS INSERTED: N.C. TERMINALS ARE 11/12 AND/OR 21/22  
N.O. TERMINALS ARE 13/14

- 6 - SEE BASIC SWITCH COLUMN FOR VOLTAGE RATING  
7 - T-15 TAMPER PROOF TORX DRIVER BIT GKZT15BIT MAY BE PURCHASED SEPARATELY FOR USE IN REORIENTING OPERATING HEAD, SEE INSTALLATION INSTRUCTIONS  
8 - SWITCH MUST OPERATE BEFORE REACHING MINIMUM INSERTION DISTANCE  
9 - KEY ACTUATOR NOT SUPPLIED WITH PRODUCT, ACTUATOR MUST BE PURCHASED SEPARATELY  
10 - RECOMMENDED TIGHTENING TORQUE FOR MOUNTING SCREW : 1 - 1.4 Nm  
11 - ENCLOSURE DOUBLE INSULATED TO IEC 536 CLASS II  
12 - MAXIMUM TIGHTENING TORQUE FOR FIXING COVER AND HEAD ASSEMBLY SCREWS-0.339 Nm  
13 - INSTALL DUST COVER, PROVIDED UNASSEMBLED WITH SWITCH, IN UNUSED KEY ENTRY WINDOW

CONDUIT CODE		BASIC SWITCH CODE <sup>6</sup>		HEAD ORIENTATION CODE	
CODE		CODE		CODE	
<b>A</b>	1/2 NPT	<b>01</b>	SNAP ACTION INC - INO, A600	<b>L</b>	OPENING TO FRONT AND TOP
<b>C</b>	20 MM	<b>03</b>	SLOW ACTING INC - INO BBM, A600	<b>M</b>	OPENING TO RIGHT AND TOP
		<b>06</b>	SLOW ACTING 2NC, A500	<b>N</b>	OPENING TO BACK AND TOP
				<b>P</b>	OPENING TO LEFT AND TOP



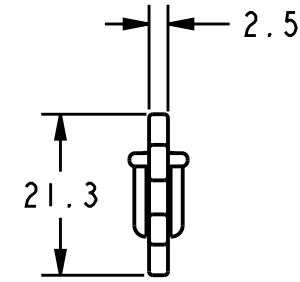
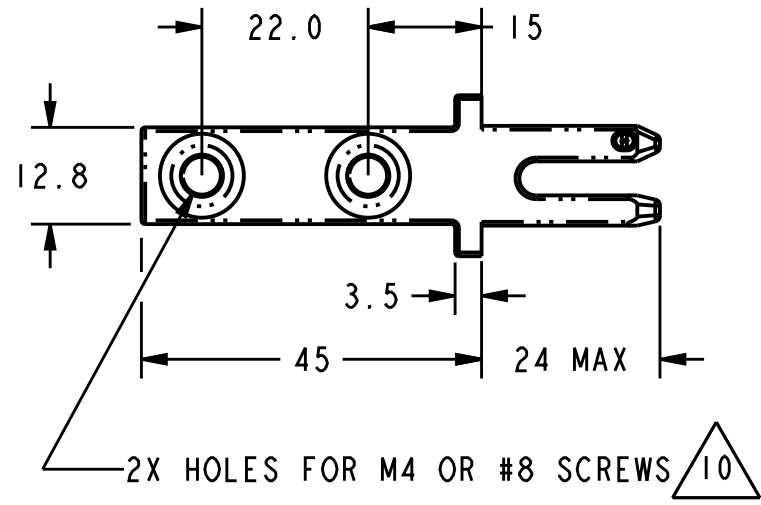
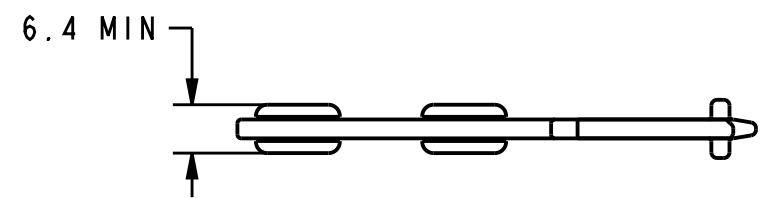
## FRONT ENTRY



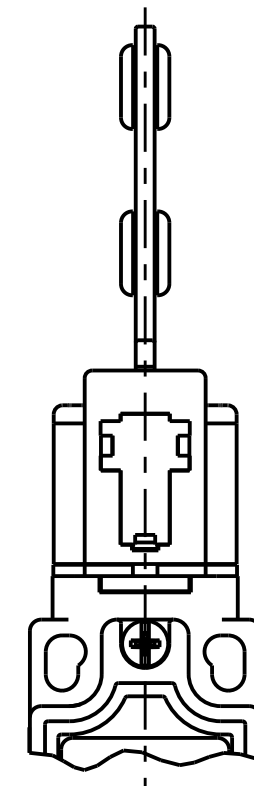
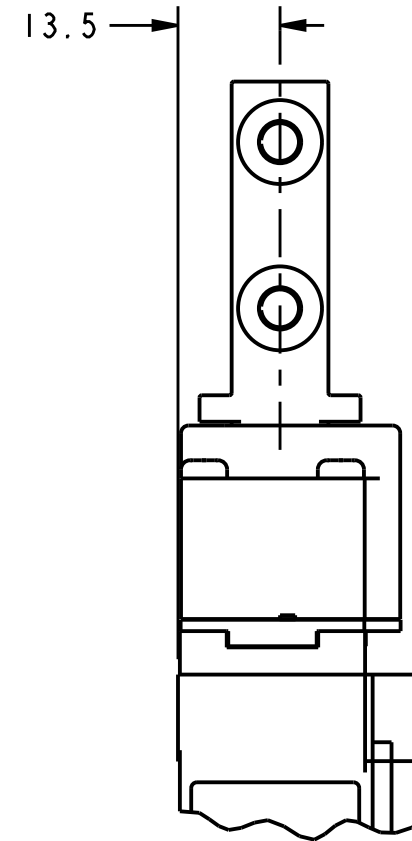
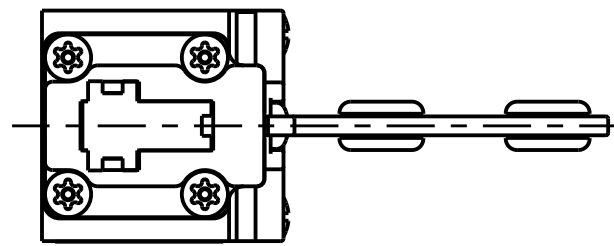
## TOP ENTRY

ELECTRICAL RATING				ENVIRONMENTAL		APPROVALS	
AC		DC		IP66/IP67, NEMA 1,4X(INDOOR USE ONLY),12,13		IEC 60947-5-1 EN50047	
A500/A600 $U_e/\sqrt{6}$	AC15 $I_e$	Q300 $U_e$	DC13 $I_e$				
(VOLTS)	(AMPS)	(VOLTS)	(AMPS)	TEMP RANGE: -25°C TO 85°C			
120	6	24	2.8	STORAGE: -40°C TO 85°C			
240	3	125	.55	SHOCK: 50G PER IEC 68-2-27			
380	1.9	250	.27	VIBRATION: 10G PER IEC 68-2-6			
480	1.5						
500	1.4						
600	1.2						
ITH = 10A							

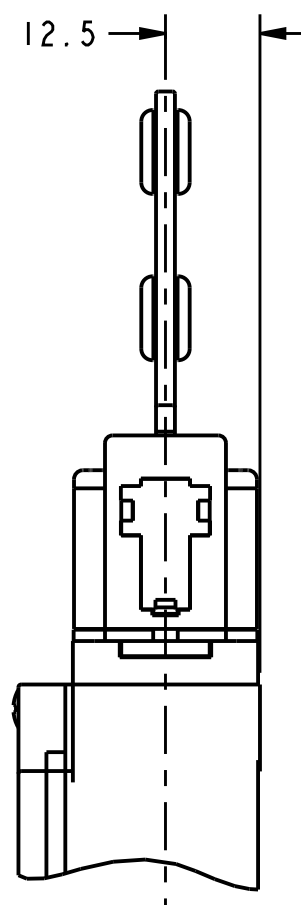
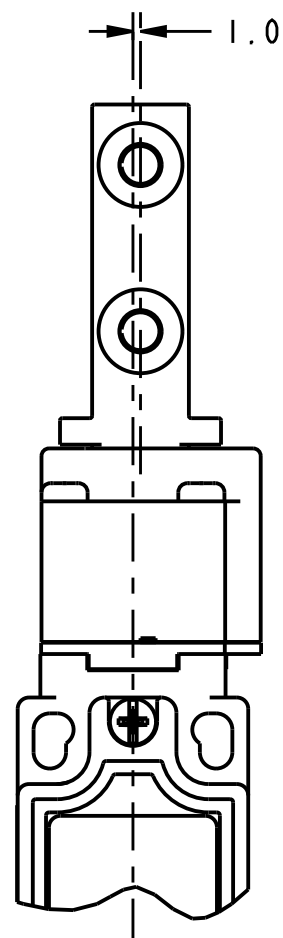
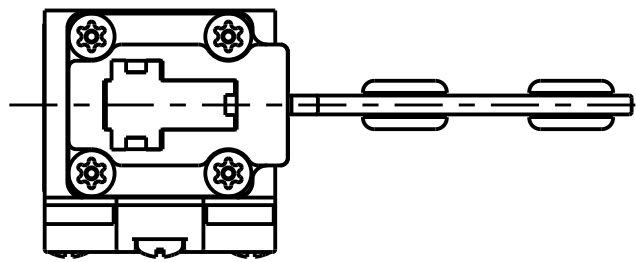
DESIGN UNITS: MM	DRAWN	MAM	23JUN05				
TOLERANCES UNLESS NOTED:	CHECK	-	-				
NO PLACES .x ± 1.000	THIS DRAWING COVERS A PROPRIETARY ITEM AND IS THE PROPERTY OF HONEYWELL. THIS DRAWING IS NOT TO BE COPIED OR USED WITHOUT THE PERMISSION OF HONEYWELL.			TITLE			
ONE PLACE .X ± 0.4				SWITCH, KEY INTERLOCK			
TWO PLACE .XX ± 0.15				SIZE	TYPE	DRAWING NAME	REV
THREE PLACE .XXX ± 0.005				C	I	GKE SERIES CHART 1	E
ANGLES X ± 3°	INTERPRET PER ASME Y14.5M-1994 OTHER HONEYWELL ENGINEERING STANDARDS MAY APPLY			SCALE	1:1	SHEET	1 OF 3
THIRD ANGLE PROJECTION				Pro/ENGINEER	3D		



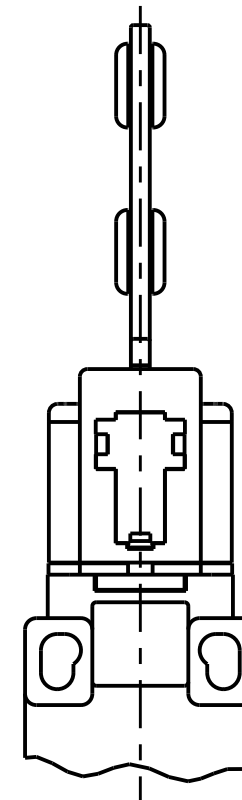
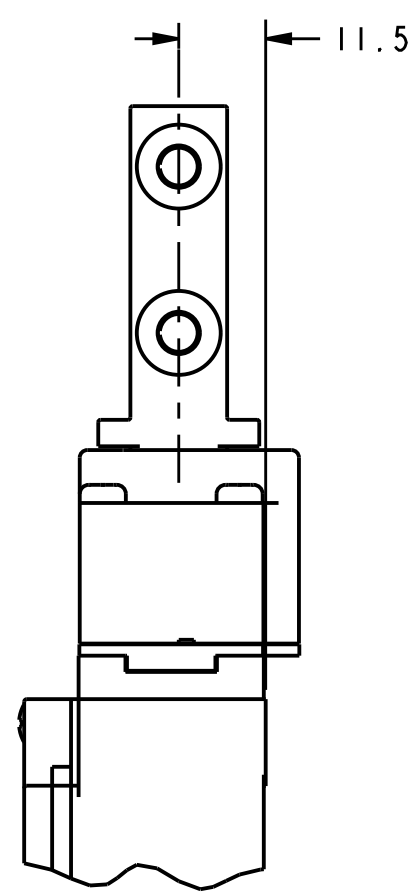
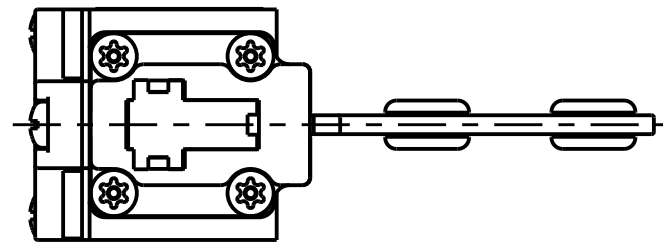
**ACTUATOR GKZ51M**  $\triangle 9$   
**STRAIGHT KEY**  
(STAINLESS STEEL)



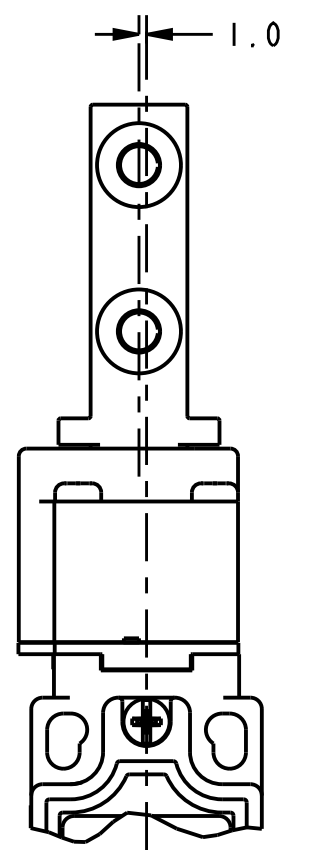
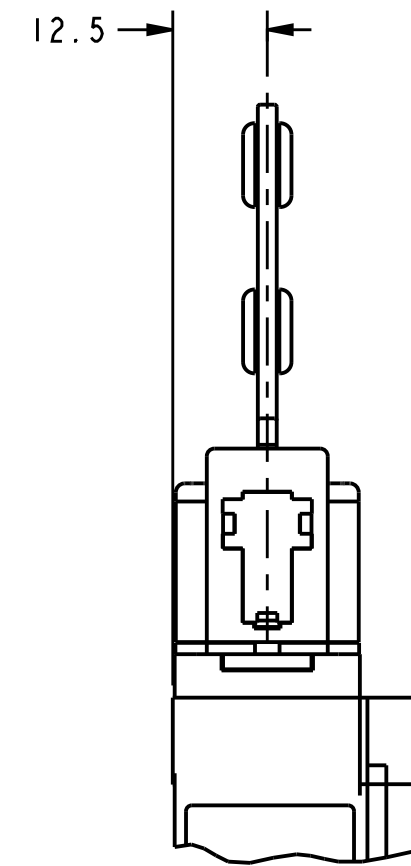
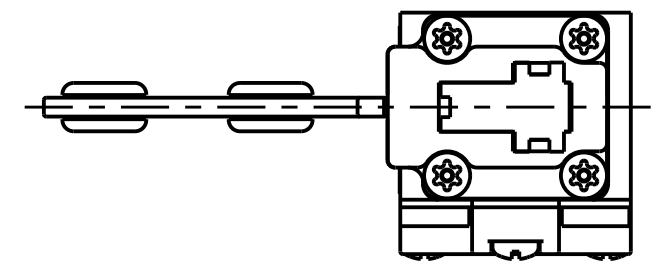
HEAD ORIENTATION CODE L



HEAD ORIENTATION CODE M



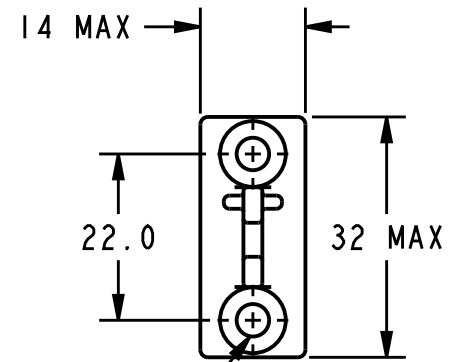
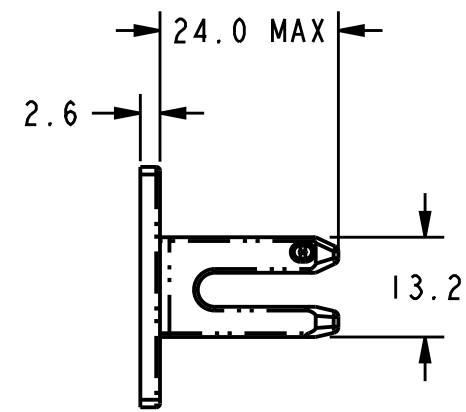
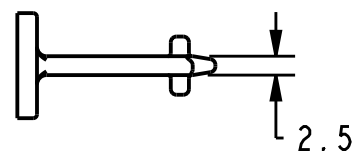
HEAD ORIENTATION CODE N



HEAD ORIENTATION CODE P

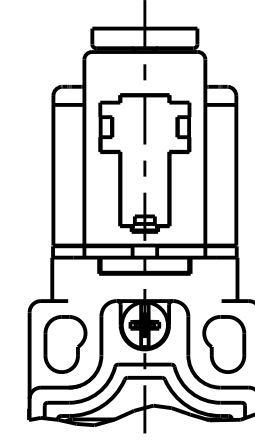
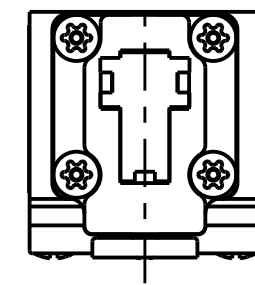
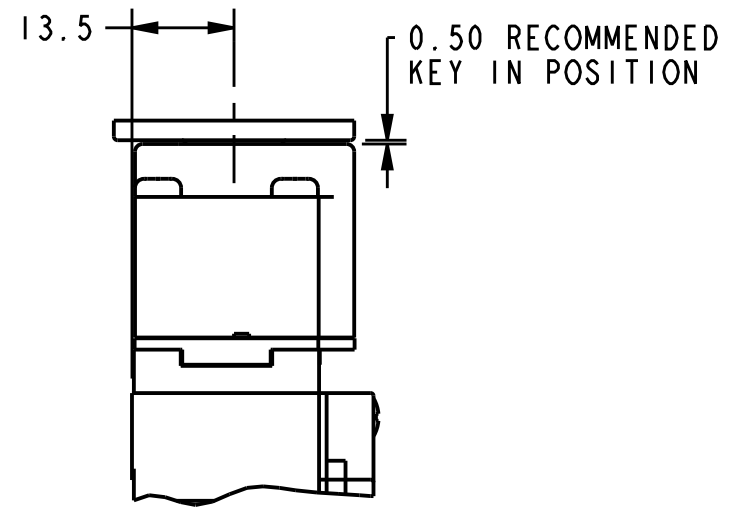
THIS DRAWING COVERS A PROPRIETARY ITEM AND IS THE PROPERTY OF HONEYWELL. THIS DRAWING IS NOT TO BE COPIED OR USED WITHOUT THE PERMISSION OF HONEYWELL.

<b>Honeywell</b>			
SIZE	DWG TYPE	DRAWING NAME	REV
<b>C</b>	<b>I</b>	<b>GKE SERIES CHART 1</b>	<b>E</b>
SCALE	1:1	SHEET	2 OF 3

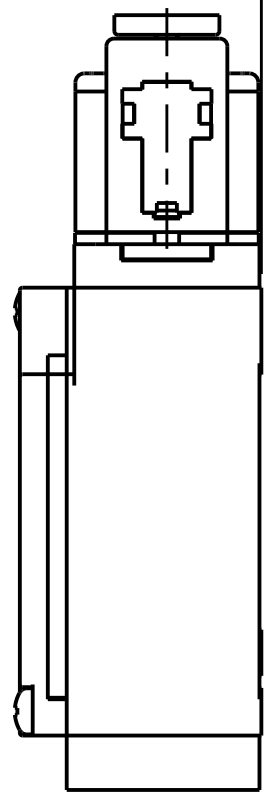
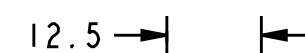
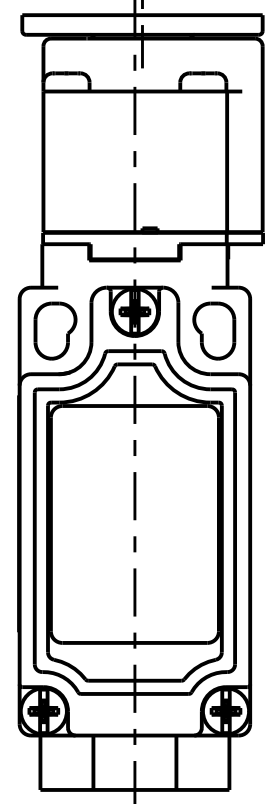
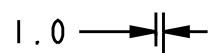
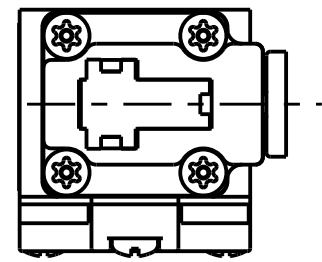


2X HOLES FOR M4 OR #8  
COUNTERSUNK SCREW  
WITH 45° COUNTERSINK  
X  $\nabla$  2.2  $\nabla$  10

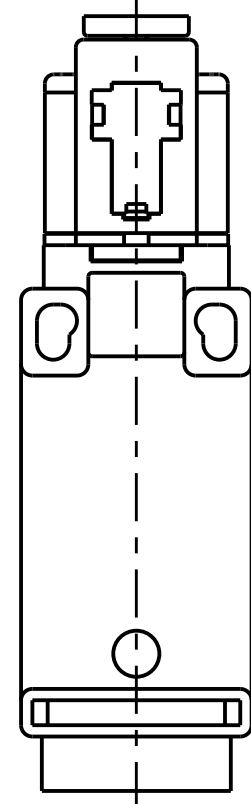
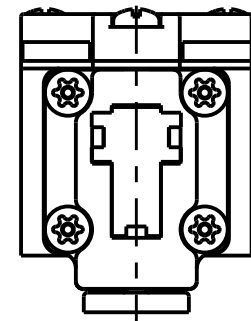
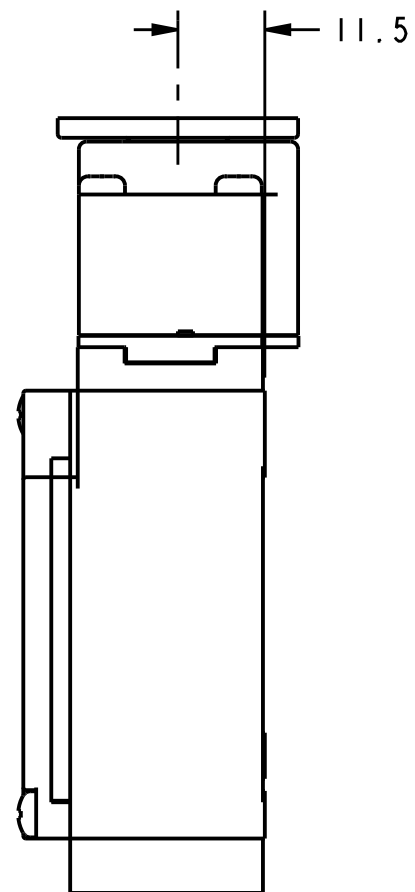
**ACTUATOR GKZ52M**  $\nabla$   
**90° KEY**  
(STAINLESS STEEL)



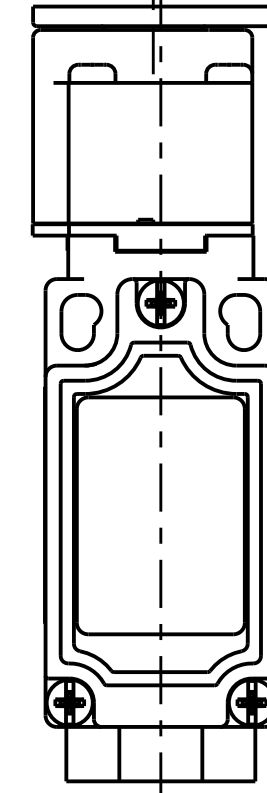
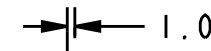
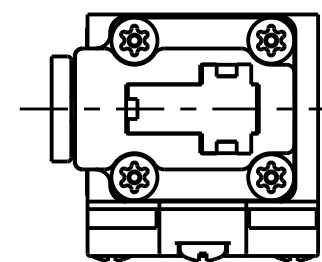
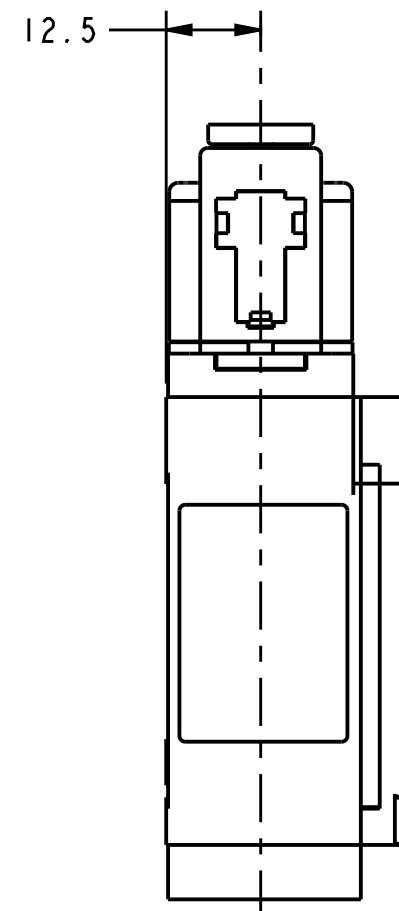
HEAD ORIENTATION CODE L



HEAD ORIENTATION CODE M



HEAD ORIENTATION CODE N



HEAD ORIENTATION CODE P

THIS DRAWING COVERS A PROPRIETARY  
ITEM AND IS THE PROPERTY OF  
HONEYWELL. THIS DRAWING IS  
NOT TO BE COPIED OR USED WITHOUT  
THE PERMISSION OF HONEYWELL.

<b>Honeywell</b>			
SIZE	DWG TYPE	DRAWING NAME	REV
<b>C</b>	<b>I</b>	<b>GKE SERIES CHART 1</b>	<b>E</b>
SCALE	1:1	SHEET	3 OF 3