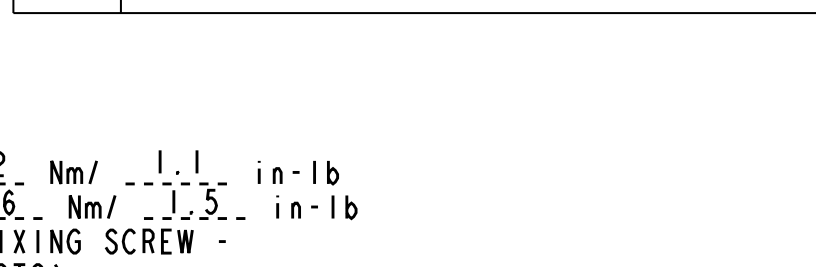
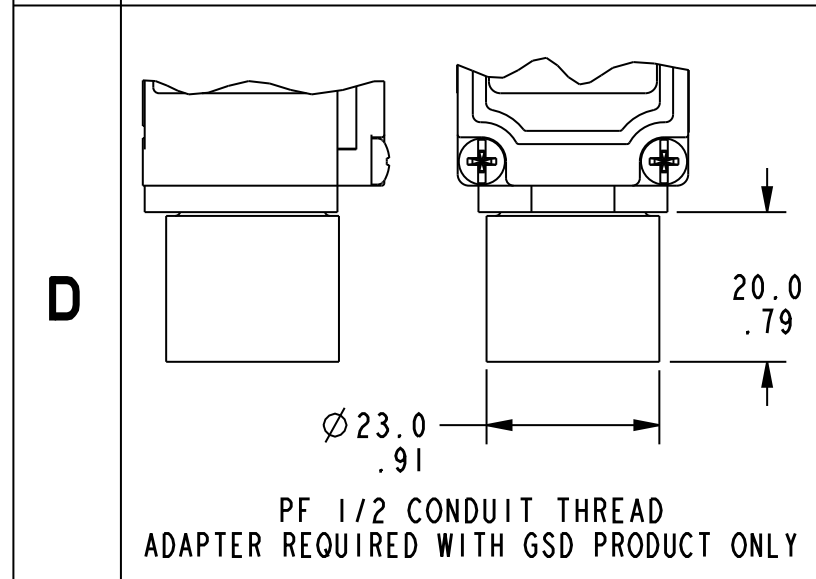
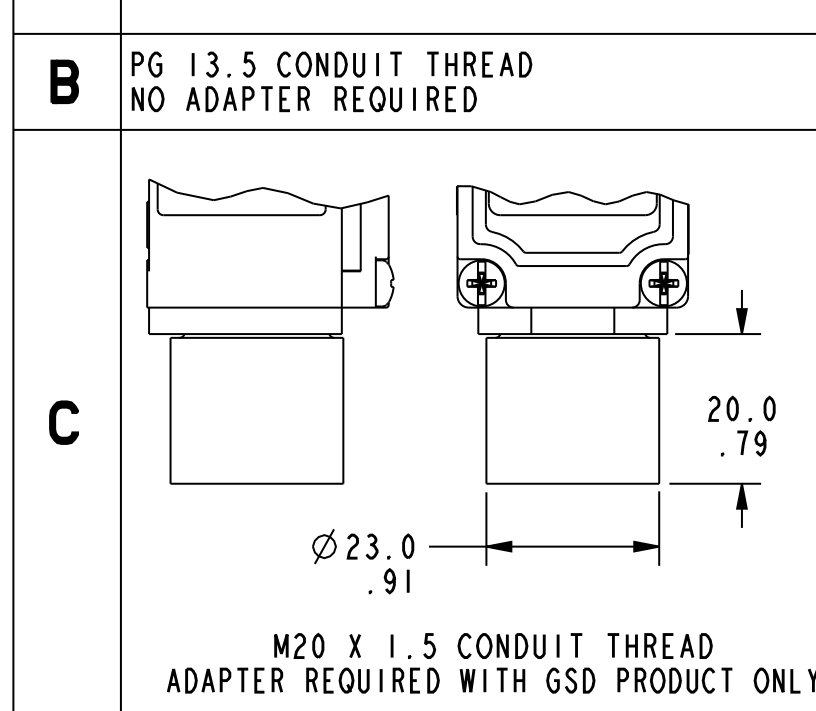
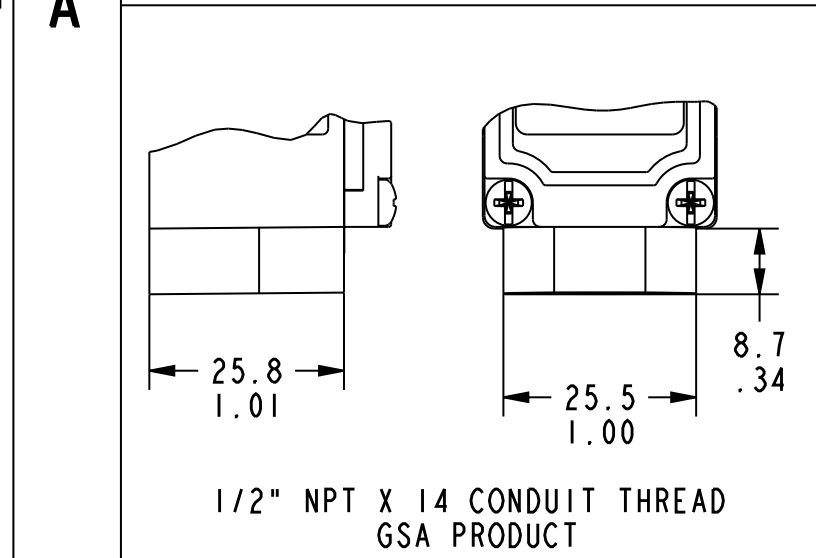
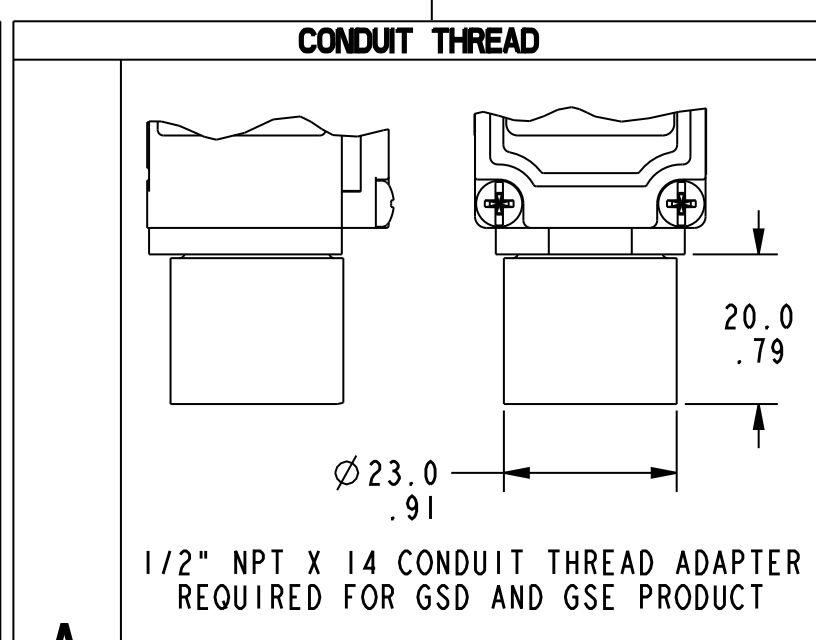
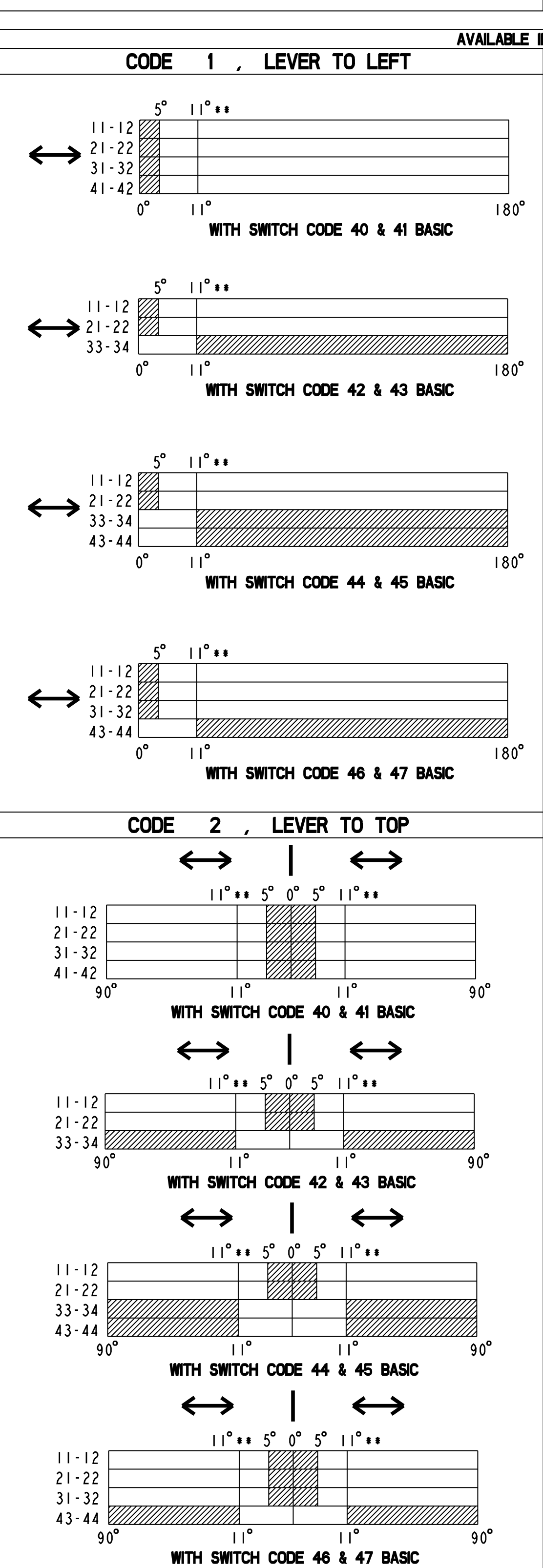
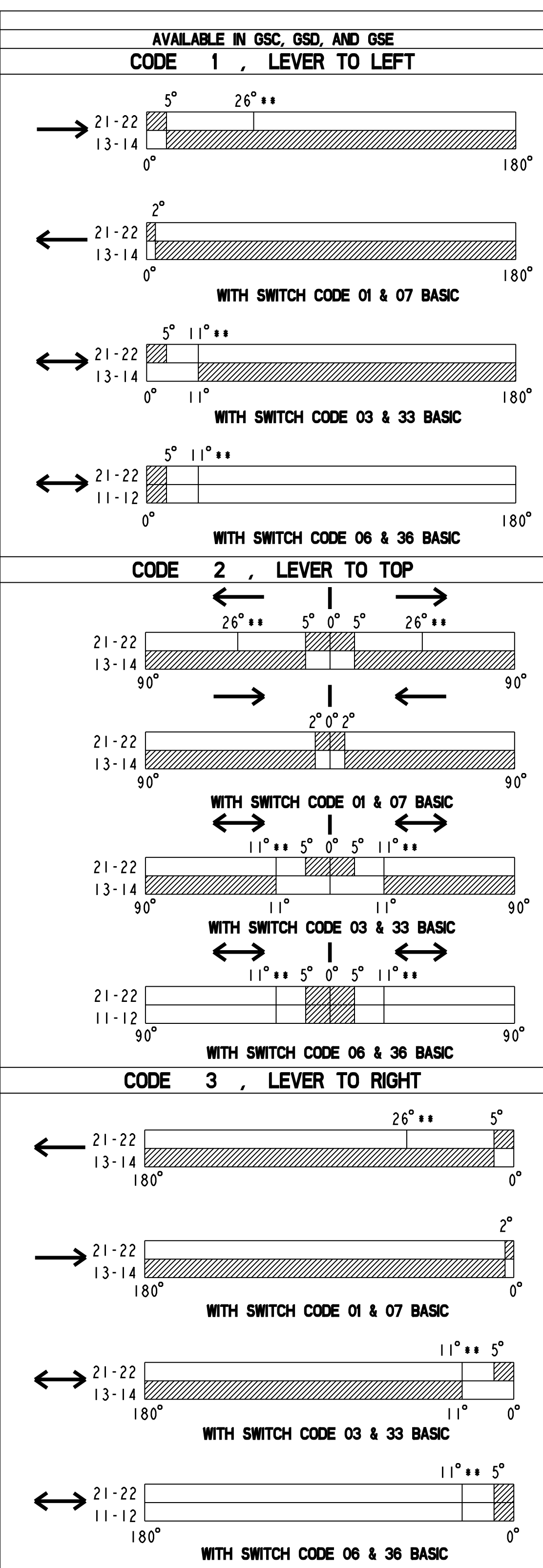


GS S

<b>C</b>	ZINC DIECAST BODY AND HEAD WITH STEEL COVER, BODY AND COVER FINISHED IN RED EPOXY PAINT HEAD FINISHED IN BLACK EPOXY PAINT
<b>D</b>	RED GLASS FILLED POLYESTER HOUSING AND COVER, ZINC DIECAST HEAD FINISHED IN BLACK EPOXY PAINT
<b>E</b>	ZINC DIECAST BODY AND HEAD WITH STEEL COVER, BODY AND COVER FINISHED IN RED EPOXY PAINT, HEAD FINISHED IN BLACK EPOXY PAINT 3 - CONDUIT

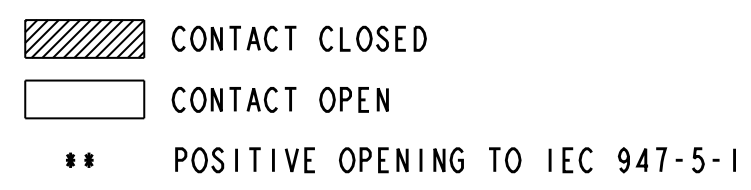


AVAILABLE IN GSC, GSD, AND GSE		AVAILABLE IN GSE ONLY	
<b>01</b>	SNAP-ACTION CONTACTS	<b>40</b>	SLOW-ACTION CONTACTS (BREAK BEFORE MAKE)
<b>07</b>	SNAP-ACTION CONTACTS (GOLD PLATED CONTACTS)	<b>41</b>	SLOW-ACTION CONTACTS (BREAK BEFORE MAKE) (GOLD PLATED CONTACTS)
<b>03</b>	SLOW-ACTION CONTACTS (BREAK BEFORE MAKE)	<b>42</b>	SLOW-ACTION CONTACTS (BREAK BEFORE MAKE)
<b>33</b>	SLOW-ACTION CONTACTS (BREAK BEFORE MAKE) (GOLD PLATED CONTACTS)	<b>43</b>	SLOW-ACTION CONTACTS (BREAK BEFORE MAKE) (GOLD PLATED CONTACTS)
<b>06</b>	SLOW-ACTION CONTACTS (2 NORMALLY CLOSED)	<b>44</b>	SLOW-ACTION CONTACTS (BREAK BEFORE MAKE)
<b>36</b>	SLOW-ACTION CONTACTS (2 NORMALLY CLOSED) (GOLD PLATED CONTACTS)	<b>45</b>	SLOW-ACTION CONTACTS (BREAK BEFORE MAKE) (GOLD PLATED CONTACTS)
		<b>46</b>	SLOW-ACTION CONTACTS (BREAK BEFORE MAKE)
		<b>47</b>	SLOW-ACTION CONTACTS (BREAK BEFORE MAKE) (GOLD PLATED CONTACTS)



**NOTES:**  
 1 - MAXIMUM OPERATING TORQUE - 12 Nm / 11 in-lb  
 MAXIMUM DISCONNECT TORQUE - 16 Nm / 15 in-lb  
 MAXIMUM TIGHTENING TORQUE FOR FIXING SCREW - 0.5Nm/4.4in-lb (GSC & GSE PRODUCTS)  
 0.339Nm/3 in-lb (GSD PRODUCTS)  
 IP66/IP67 NEMA 1, 4X (INDOOR USE ONLY), 12, 13 FOR GSD PRODUCTS

ELECTRICAL RATING - 1th = 10A				ENVIRONMENTAL	APPROVALS
SILVER CONTACTS		GOLD PLATED CONTACTS		IP66 NEMA 1, 4, 12, 13 TEMP RANGE: -40°C TO +85°C -40°F TO +185°F STORAGE: -40°C TO +85°C -40°F TO +185°F SHOCK: 50G PER IEC 68-2-27 VIBRATION: 100G PER IEC 68-2-6	UL IEC 947-5-1 EN50047
AC FOR SWITCH CODES 01, 07, 03, 33	AC FOR SWITCH CODES 06, 36	AC FOR SWITCH CODES 40, 41, 42, 43, 44, 45, 46, 47	DC		
A600 AC15 Ue Ie	A500 AC15 Ue Ie	A300 AC15 Ue Ie	Q300 DC13 Ue Ie		
VOLTS AMPS 120 6 240 3 380 1.9 480 1.5 500 1.4 600 1.2	VOLTS AMPS 120 6 240 3 380 1.9 480 1.5 500 1.4	VOLTS AMPS 120 6 240 3	VOLTS AMPS 125 0.55 250 0.27	1V 10uA MIN 50V 100mA MAX	



THIS DRAWING COVERS A PROPRIETARY ITEM AND IS THE PROPERTY OF MICRO SWITCH, A DIVISION OF HONEYWELL. THIS DRAWING IS NOT TO BE COPIED OR USED WITHOUT THE APPROVAL OF MICRO SWITCH.

FED. MFG. CODE 91929 CATALOG LISTING

**MICRO SWITCH**  
a Honeywell Division

**LIMIT SWITCH**

**GS SERIES CHART 2**

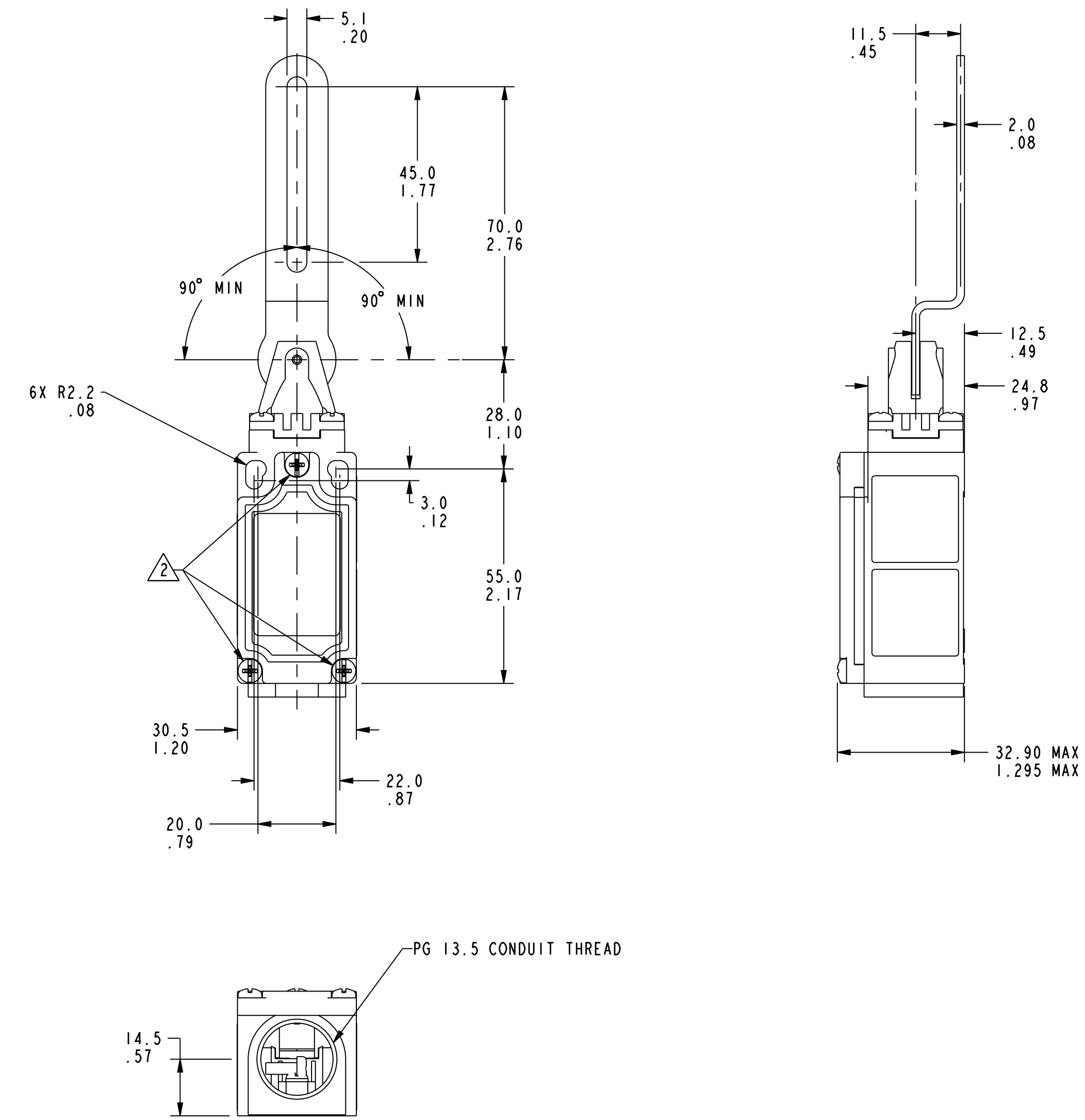
ANSI Y14.5M-1982 APPLIES

THIRD ANGLE PROJECTION  
SCALE FULL  
DO NOT SCALE PRINT  
TOLERANCES APPLY TO DESIGN UNITS. CONTOURS ARE ONLY FOR REFERENCE, UNLESS NOTED. TOLERANCES ARE:

NO. PLACES	2	12-84	1.1	0.01-0.5
ONE PLACE	7.1	0.01-0.05	7.1	0.01-0.5
TWO PLACES	7.1	0.01-0.05	7.1	0.01-0.5
THREE PLACES	7.1	0.01-0.05	7.1	0.01-0.5

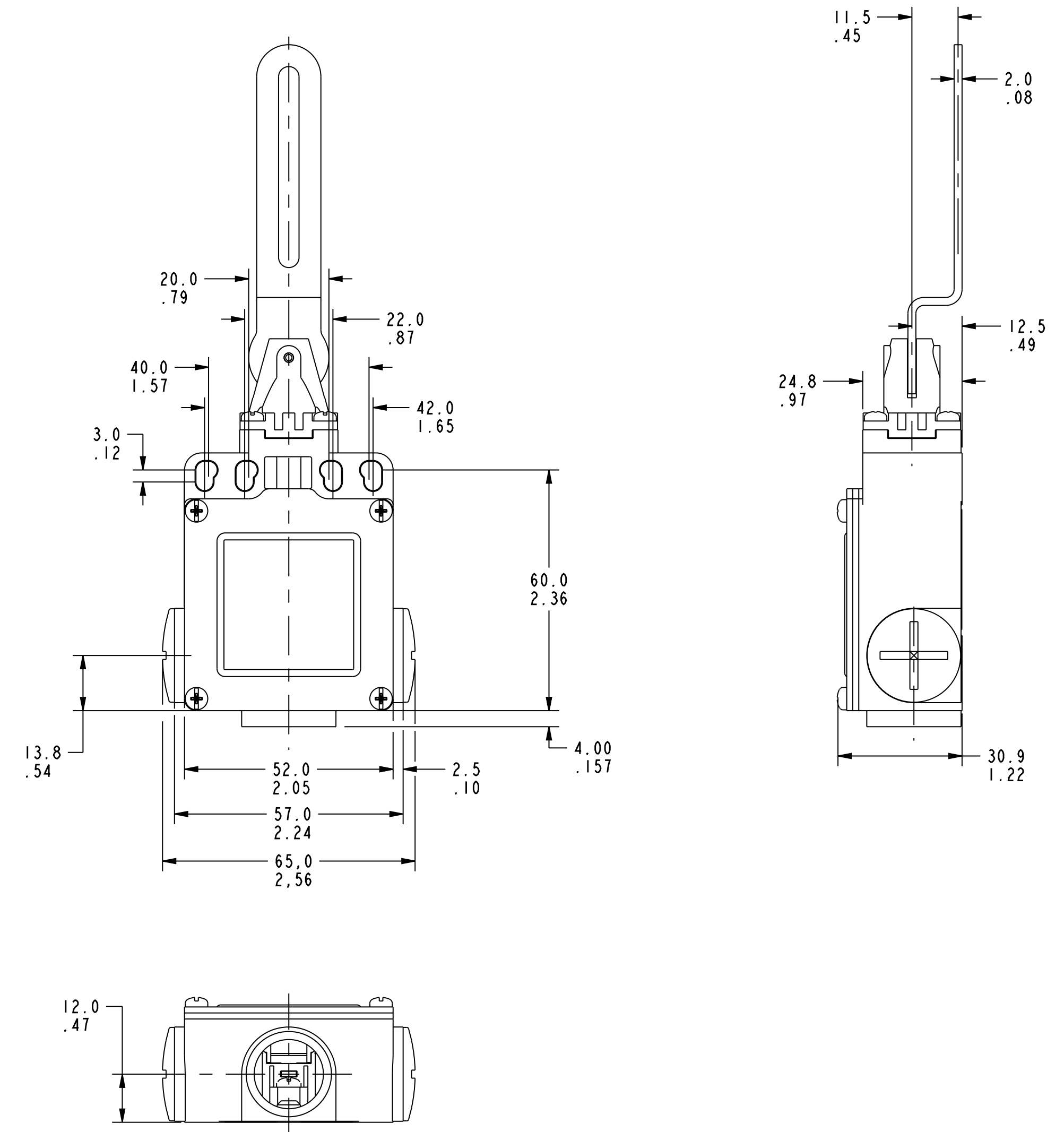
DESIGN UNITS SI METRIC [X] US CUSTOMARY [ ]  
WEIGHT TBD

BODY CODES C AND D

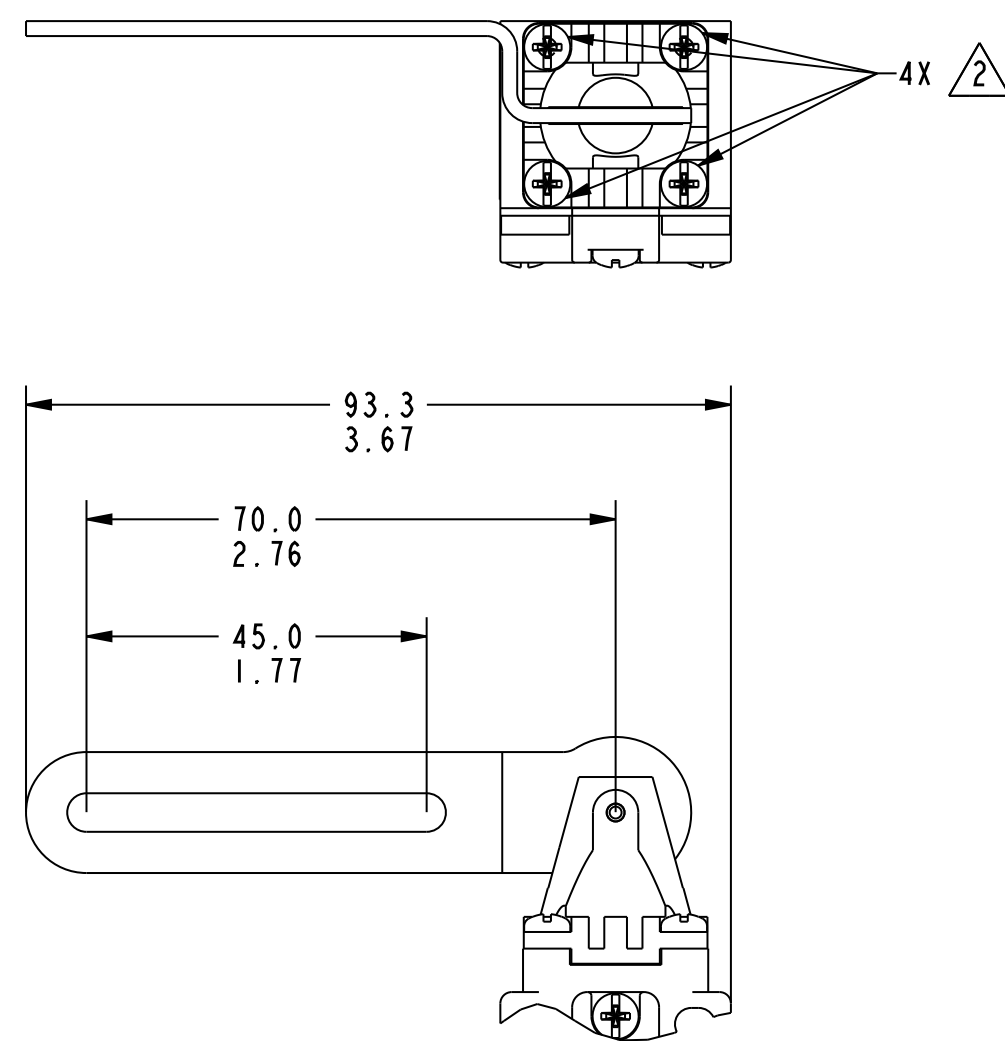


ACTUATOR CODE 2

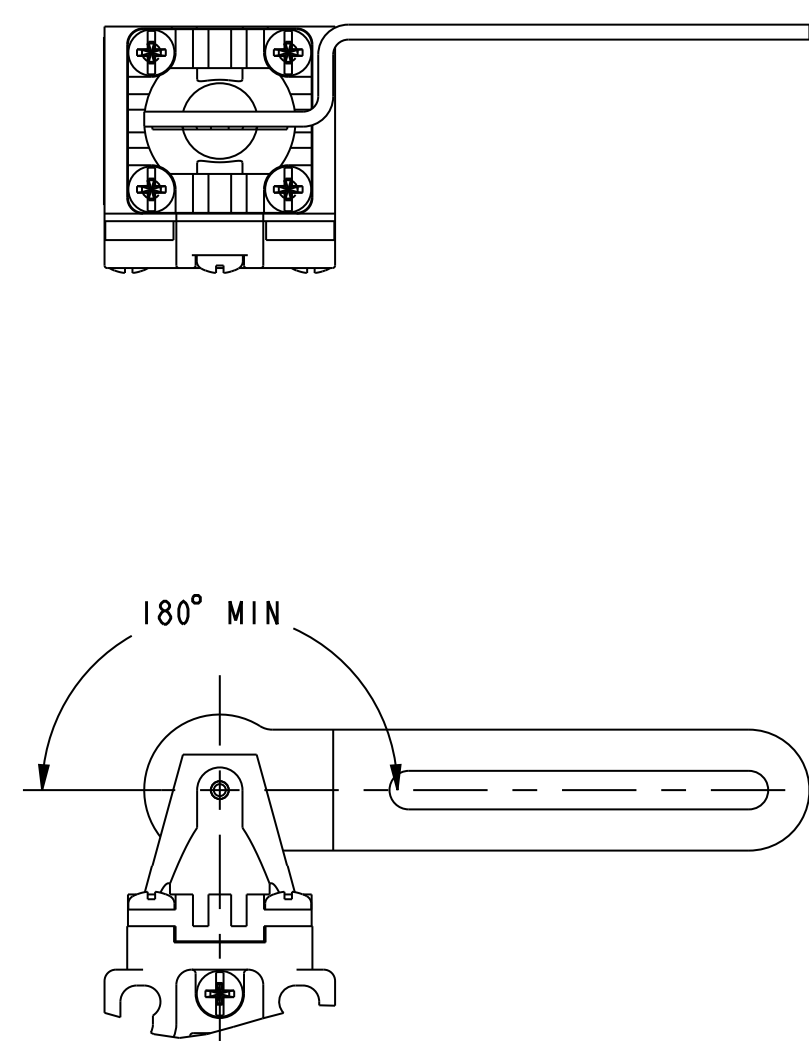
BODY CODE E



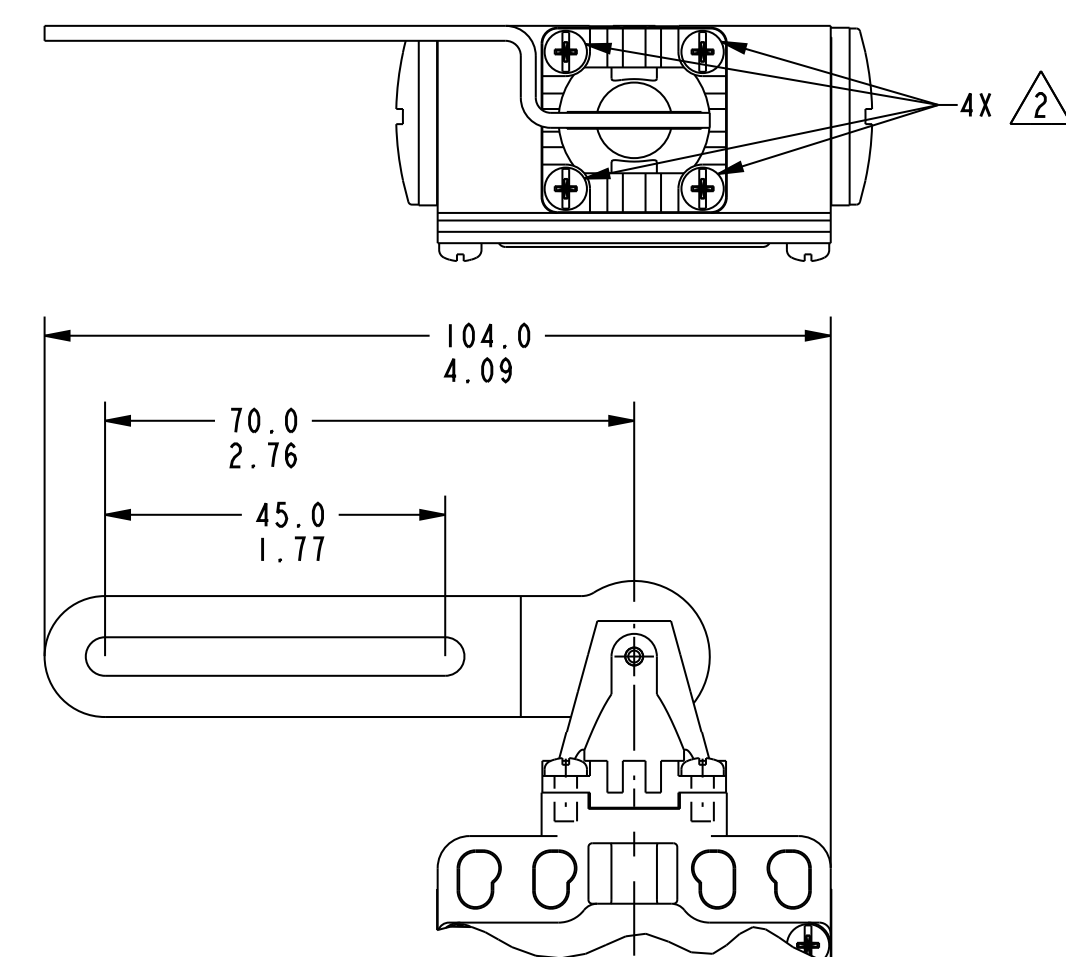
ACTUATOR CODE 2



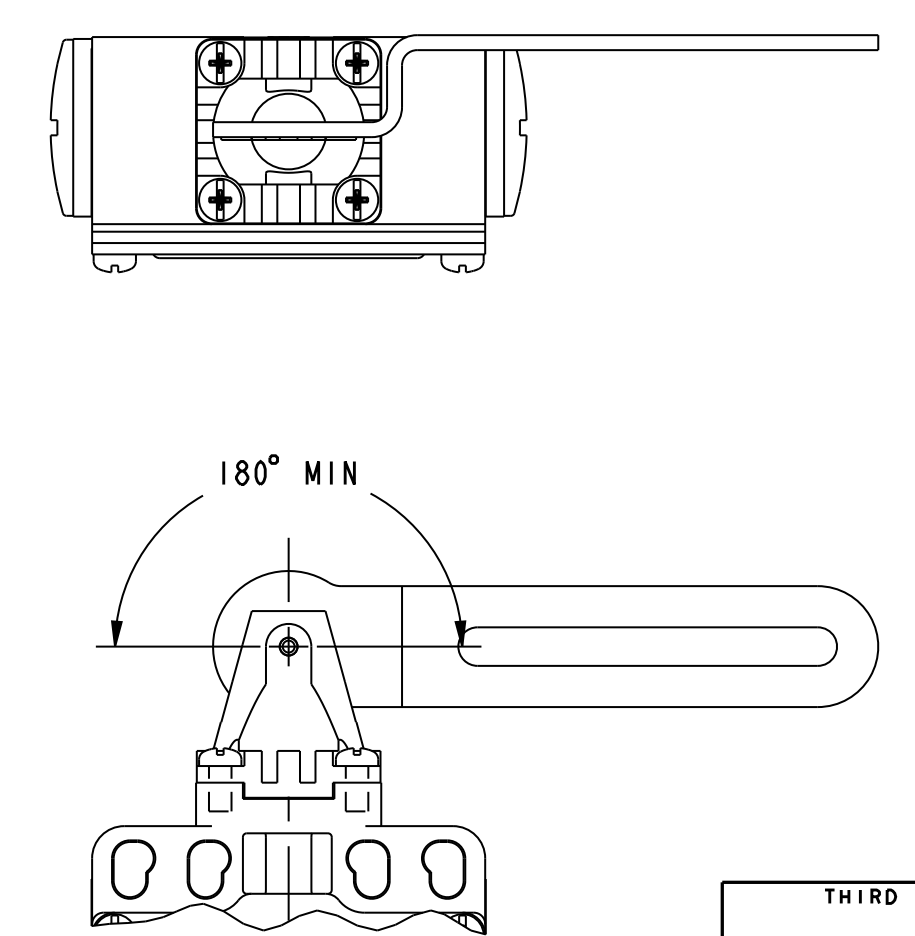
ACTUATOR CODE 1



ACTUATOR CODE 3



ACTUATOR CODE 1



ACTUATOR CODE 3

THIS DRAWING COVERS A PROPRIETARY ITEM AND IS THE PROPERTY OF MICRO SWITCH, A DIVISION OF HONEYWELL. THIS DRAWING IS NOT TO BE COPIED OR USED WITHOUT THE APPROVAL OF MICRO SWITCH.

FED. MFG. CODE 91929 CATALOG LISTING

**MICRO SWITCH**  
a Honeywell Division

**LIMIT SWITCH**

**GS SERIES CHART 2**

DESIGN UNITS:  SI METRIC  US CUSTOMARY

WEIGHT: TBD

THIRD ANGLE PROJECTION			
SCALE: FULL			
DO NOT SCALE PRINT			
TOLERANCES			
APPLY TO DESIGN UNITS. CONVERSIONS ARE ONLY FOR REFERENCE. UNLESS NOTED, TOLERANCES ARE:			
NO. PLACES	TOL.	NO. PLACES	TOL.
ONE PLACE	±.04	TWO PLACES	±.005
TWO PLACES	±.01	THREE PLACES	±.0005

PTC/CAD  
S. A. V. 180C199  
DRAWN  
S. A. V. 180C199  
CHECK  
S. A. V. 180C199  
CHECK  
D. W. J. 09APR10  
CHECK  
C. M. H. 09APR10  
CHECK  
P. R. 24250  
RELEASE NO.  
PAGE 2 OF 2  
DRAWING NUMBER  
ISSUE 14  
MGS SERIES CHART 2

REVISIONS	DATE	BY	APP'D
1	09051992		
2	08 MAY 04		
3	08022231		
4	08063072		
5	09APR10		