

MICRO SWITCH

A DIVISION OF MINNEAPOLIS-HONEYWELL REGULATOR COMPANY
FREEPORT, ILLINOIS

FED. MFR. CODE 91929

ACTUATOR-SWITCH

(M) JS-21
ISSUE 3

JS-21

REPLACES

RELEASE NO.

10 FEB 56

C.N.T. 10 FEB 56

CHECK 10 FEB 56

10 FEB 56

B.L.S. 17 MAY 80

CHECK 7 MAR 95

G.C.H. 13 FEB 56

CHECK 2 FEB 56

2 FEB 56

K.F.M.

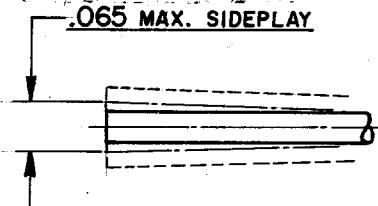
M

DRAWING NUMBER

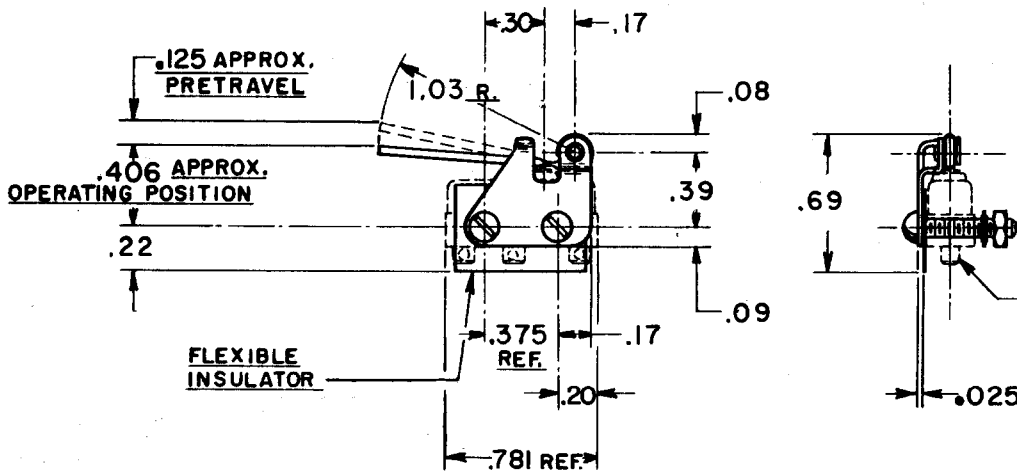
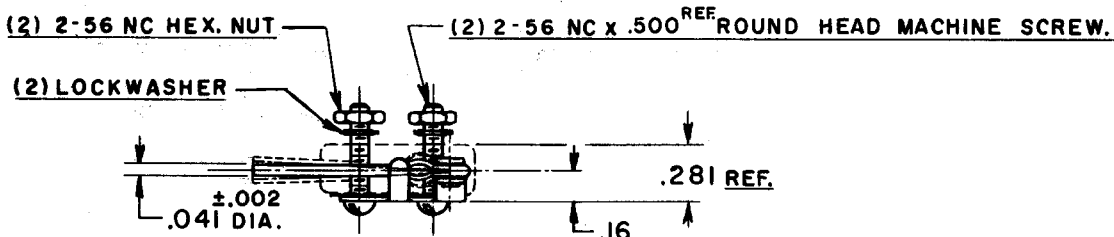
ISSUE 7

REVISIONS

A	CO 9600	K.F.M.	2 FEB 56
B	CO. 11211	D. A. W.	5 FEB 57
C	CO47771	CJH	17 MAY 80
D	CO79303	DLT	7 MAR 95



DETAIL OF LEVER



DOTTED LINES INDICATE BASIC SWITCH IN PLACE.

NOTE -

1- SCREWS, NUTS, LOCKWASHERS, AND INSULATOR FURNISHED UNASSEMBLED.

THIS DRAWING COVERS A PROPRIETARY ITEM AND IS THE PROPERTY OF MICRO SWITCH, A DIVISION OF HONEYWELL. THIS DRAWING IS NOT TO BE COPIED OR USED WITHOUT THE APPROVAL OF MICRO SWITCH.

CHARACTERISTICS WITH 13M1 SWITCH INSTALLED

OPERATING FORCE - - - - - 1 OZ. MAX.
RELEASE FORCE - - - - - 4 GRAMS MIN.
DIFFERENTIAL TRAVEL - - - - - .031 MAX.
OVERTRAVEL - - - - - .030 MIN.

ELECTRICAL DATA

CONTACT ARRANGEMENT BREAK DISTANCE

SCALE FULL

DO NOT SCALE PRINT

UNLESS OTHERWISE SPECIFIED
DIMENSIONS ARE IN INCHES
TOLERANCES ARE:
ONE PLACE (.0) ±.030
TWO PLACE (.00) ±.015
THREE PLACE (.000) ±.005
ANGLES ±

WEIGHT