

# MICRO SWITCH

A DIVISION OF ANN ARBOR-HONEYWELL REGULATOR COMPANY  
FARGO, MINN. 56501

FED. MFR. CODE 91929

# SWITCH - BASIC

CATALOG LISTING  
**MT-4R-A28**

THIS DRAWING COVERS A PROPRIETARY ITEM AND IS THE PROPERTY OF MICRO SWITCH, A DIVISION OF HONEYWELL. THIS DRAWING IS NOT TO BE COPIED OR USED WITHOUT THE APPROVAL OF MICRO SWITCH.

MT-4R-A28

M

DRAWING NUMBER

ISSUE  
1  
2  
3  
4  
5  
6  
7  
8  
9  
10

REPLACES

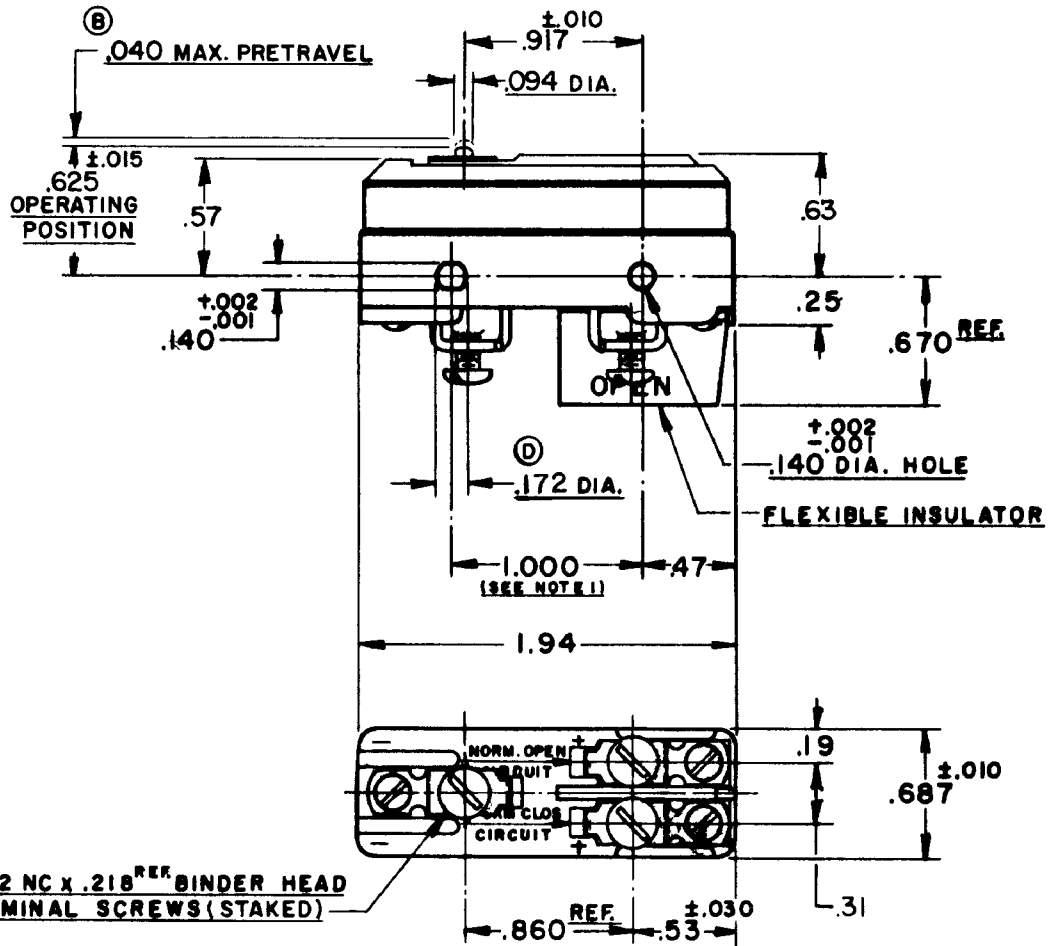
RELEASE NO.

CHECK

CHECK

CHECK

CHECK



6-32 NC x .218<sup>REF.</sup> BINDER HEAD  
TERMINAL SCREWS (STAKED)

**NOTE-**

- 1- MOUNTING HOLES WILL ACCEPT PINS OR SCREWS OF .139 MAX. DIA. ON 1.000<sup>±.002</sup> CENTERS
- 2- FOR BEST RESULTS EITHER POLARIZE THE SWITCH WITH COMMON TERMINAL BEING OF NEGATIVE POLARITY OR MOUNT THE SWITCH WITH BRASS SCREWS AND SPACE AT LEAST .250 FROM MAGNETIC MATERIALS.

**REVISIONS**

A	CO.9799	C.M.A.	4 AUG. 55
B	CO.11613	N.H.L.	31 JULY '57
C	CO.12369	K.L.S.	11 DEC. 57
D	CO.13960	M.B.F.	22 OCT 59
E	CO.35255	D.B.W.	1 MAY 73
F	CO.38589	R.E.R.	12 APR 77
G	CO.46819	W.J.M.	26 NOV 79

19 Aug. 55  
19 Aug. 55  
19 Aug. 55

**CHARACTERISTICS**

OPERATING FORCE ----- 12-18 OZ.  
 RELEASE FORCE ----- 5 OZ. MIN.  
 DIFFERENTIAL TRAVEL ---- .004 - .007  
 OVERTRAVEL ----- .005 MIN.

**ELECTRICAL DATA**

CONTACT ARRANGEMENT  
S. P. D. T.

NON-POLARIZED DWL	VOLTS D-C 125 250	MOTOR 1/4 HP + —	RESISTIVE 10 AMPS 1.5 TO 3.0*
POLARIZED OR NON- MAGNETICALLY MOUNTED	VOLTS D-C 125 250	MOTOR 1/2 HP + —	RESISTIVE 10 AMPS 1.5 TO 3.0*

\* NOT SUITABLE FOR USE AT LESS THAN 1.5 AMPS  
+ WILL NOT BREAK LOCKED ROTOR CURRENT

UND. LAB. INC. LISTED RATING (NON-POLARIZED)  
+ 1.5 TO 3.0 AMP VDC OR AC; 1/4 HP - 1/2 HP VDC OR AC

**SCALE FULL**

DO NOT SCALE PRINT

UNLESS OTHERWISE SPECIFIED  
DIMENSIONS ARE IN INCHES

**TOLERANCES ARE:**  
 ONE PLACE (.0) ±.030  
 TWO PLACE (.00) ±.015  
 THREE PLACE (.000) ±.005  
 ANGLES ±

WEIGHT

74-86

DRAWN

C.M.A.

4 AUG. 55

CHECK

CHECK

CHECK

RELEASE NO.

REPLACES

(M) MT-4R-A28  
ISSUE 3