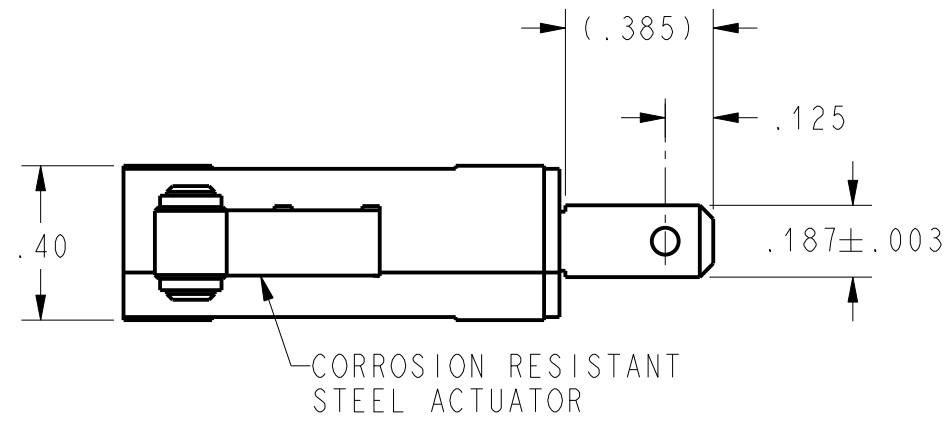
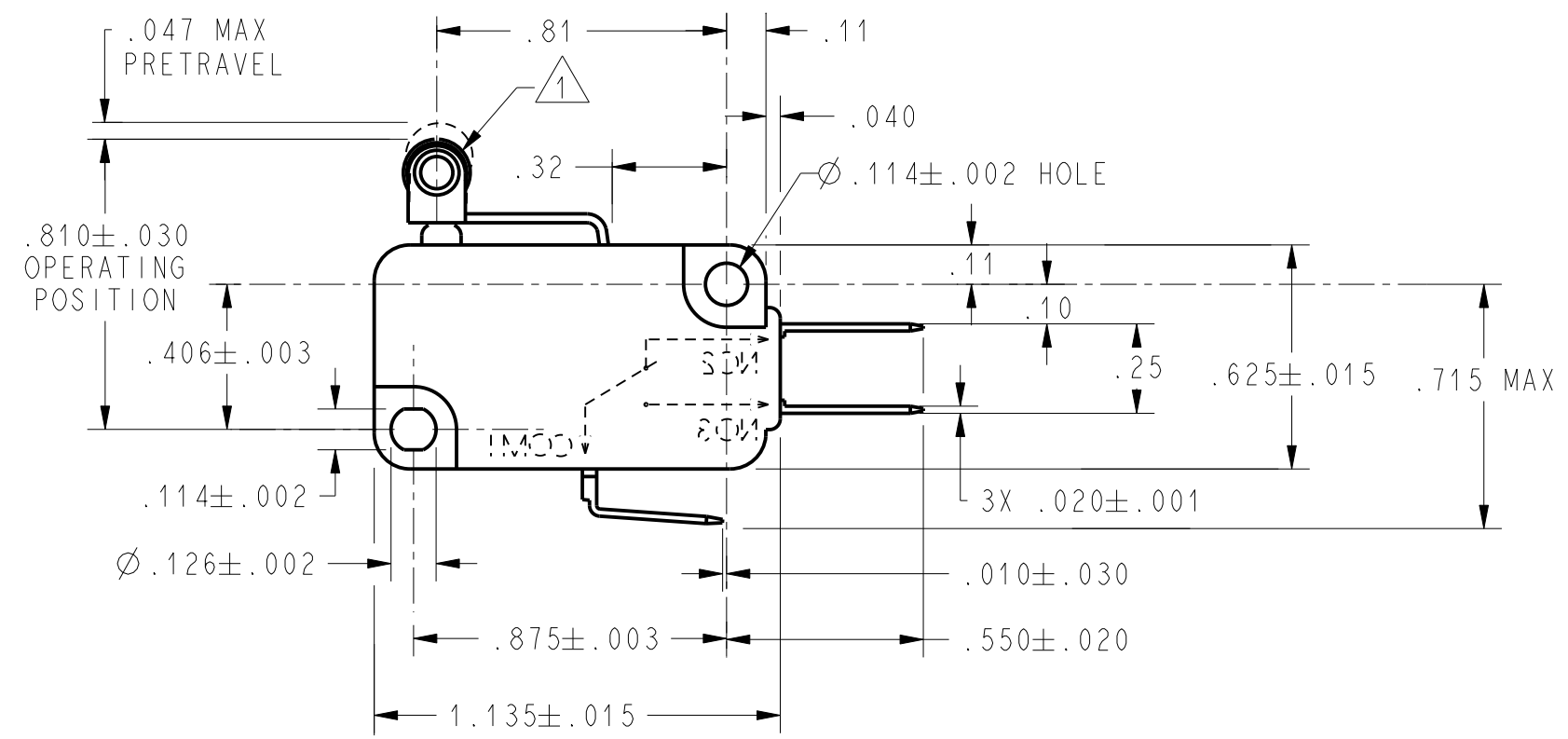


REV	DOCUMENT	CHANGED BY	CHECK
A	0001583	CSL 10CT03	SAV
B	0005782	RJ 04JUN04	AK



- NOTES
- 1 \triangle \varnothing .19 X .19 WIDE OIL BRONZE ROLLER (CONCENTRICITY .005 FIM)
 - 2 - IN INSPECTION, DO NOT BURN OUT - GOLD CONTACTS
 - 3 - IN INSPECTION, DO NOT EXCEED 10 VDC, .1A RESISTIVE LOAD
 - 4 - INSPECT SWITCH RESISTANCE PER CONTROL PLAN
 - 5 - CAUTION: OVERTRAVEL FORCE ON LEVER MUST NOT RESULT IN AN OVERTRAVEL FORCE ON THE PLUNGER EXCEEDING FIVE POUNDS



CHARACTERISTICS	
OPERATING FORCE-----	180 GRAMS MAX
RELEASE FORCE -----	20 GRAM MIN
DIFFERENTIAL TRAVEL-----	.015 MAX
OVERTRAVEL -----	.040 MIN
RELEASE TRAVEL -----	.007 MIN

ELECTRICAL DATA	
CONTACT ARRANGEMENT S P D T	
L22 1A 125 VAC	

UNLESS OTHERWISE SPECIFIED TOLERANCES ARE:			
	<input checked="" type="checkbox"/> US (inch) CUSTOMARY	<input type="checkbox"/> SI (mm) METRIC	
NO PLACE	X	±.040	±1
ONE PLACE	.X	±.030	±0,4
TWO PLACE	.XX	±.015	±0,15
THREE PLACE	.XXX	±.005	±
ANGLES		±	±
RAW MATERIAL-COMMERCIAL STANDARD			
THIRD ANGLE PROJECTION			

DRAWN	CSL	10CT03
CHECK	SAV	10CT03
THIS DRAWING COVERS A PROPRIETARY ITEM AND IS THE PROPERTY OF HONEYWELL. THIS DRAWING IS NOT TO BE COPIED OR USED WITHOUT THE PERMISSION OF HONEYWELL.		
DIMENSIONS ARE TO BE MET BEFORE PROTECTIVE COATINGS ARE APPLIED		
PTC 2D	ASME Y14.5M-1994	

Honeywell			
TITLE SWITCH, BASIC			
SIZE	DWG TYPE	DRAWING NAME	REV
B	I	V7-1D19D8-201	B
SCALE	NONE	WEIGHT	SHEET 1 OF 1