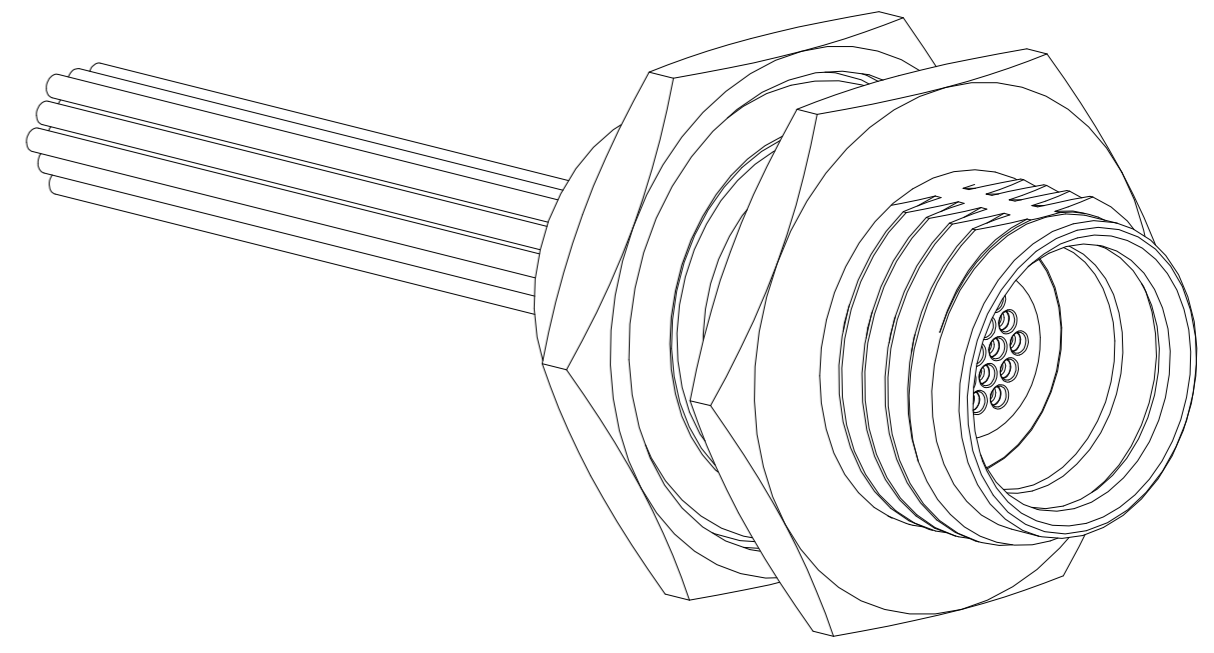
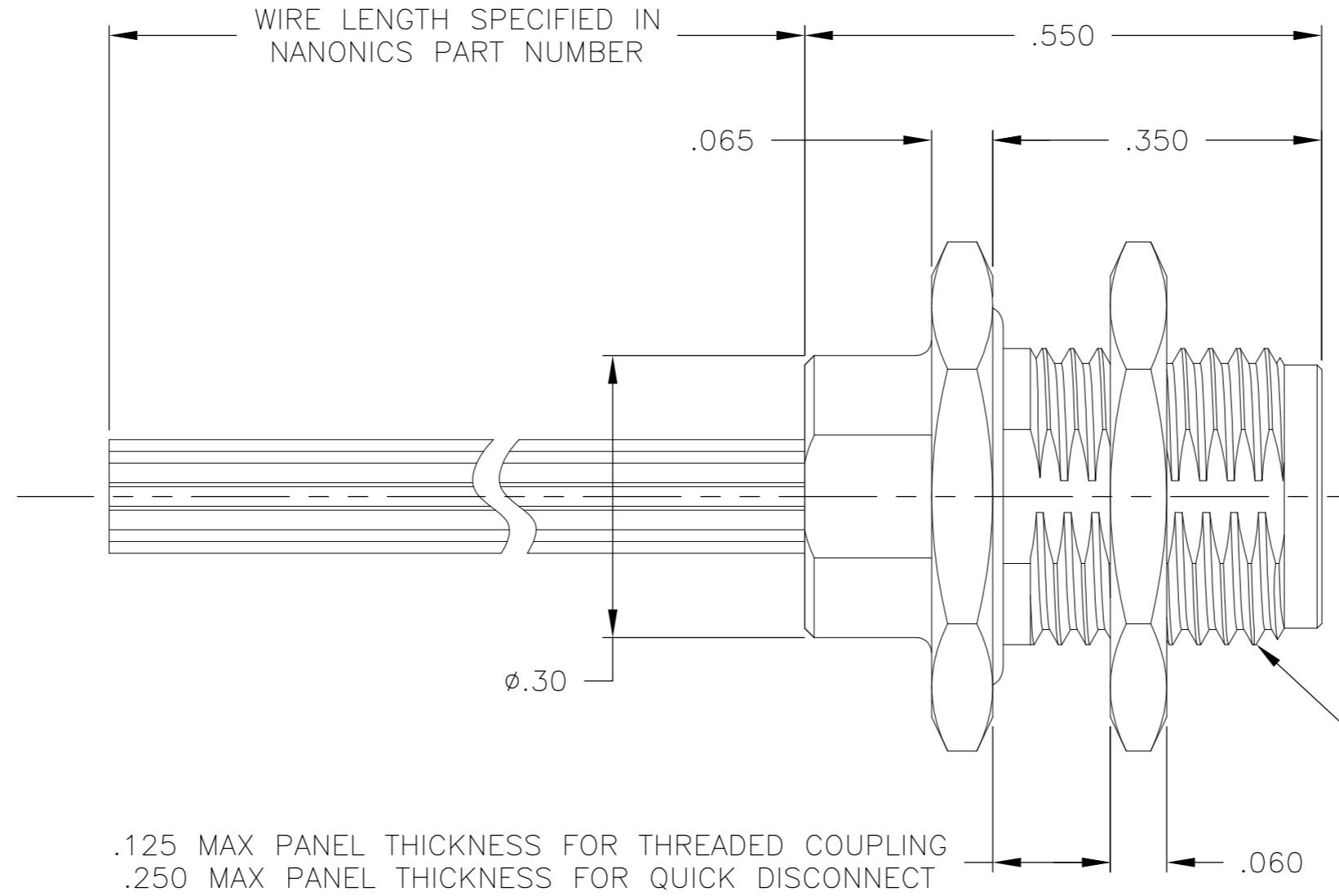
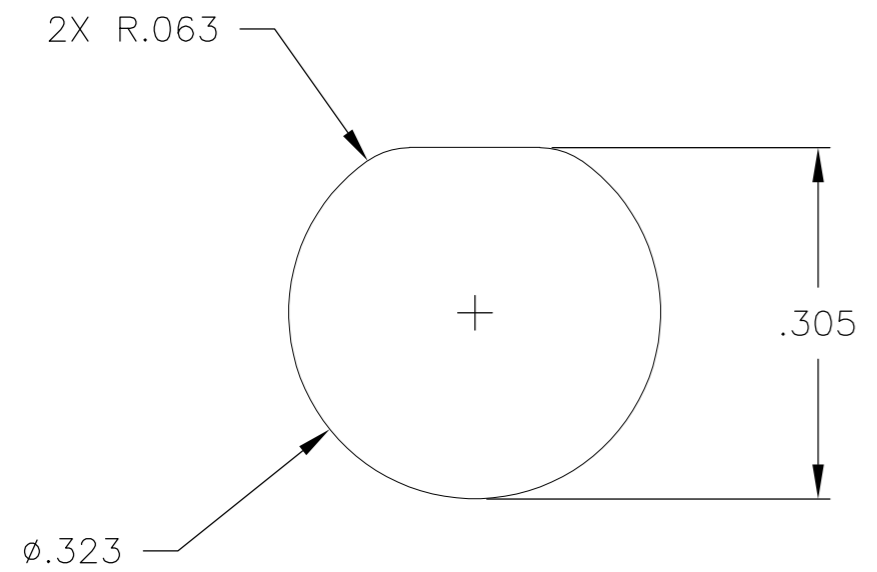


THIS DRAWING IS UNPUBLISHED. RELEASED FOR PUBLICATION  
 © COPYRIGHT - By - ALL RIGHTS RESERVED.

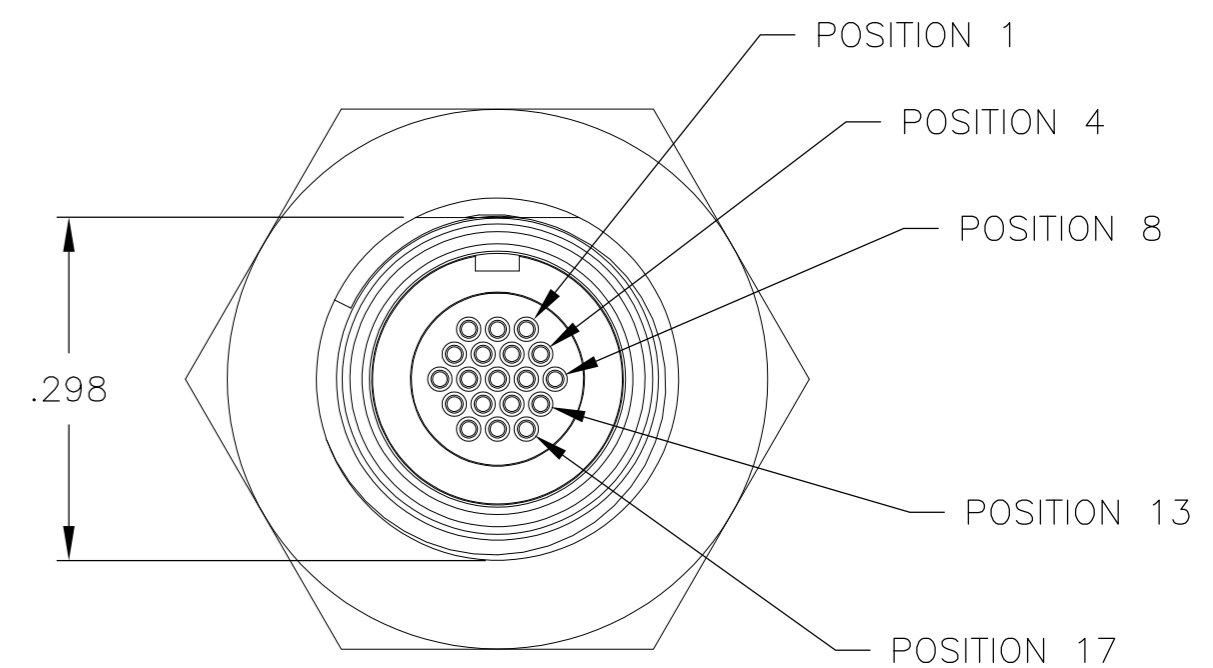
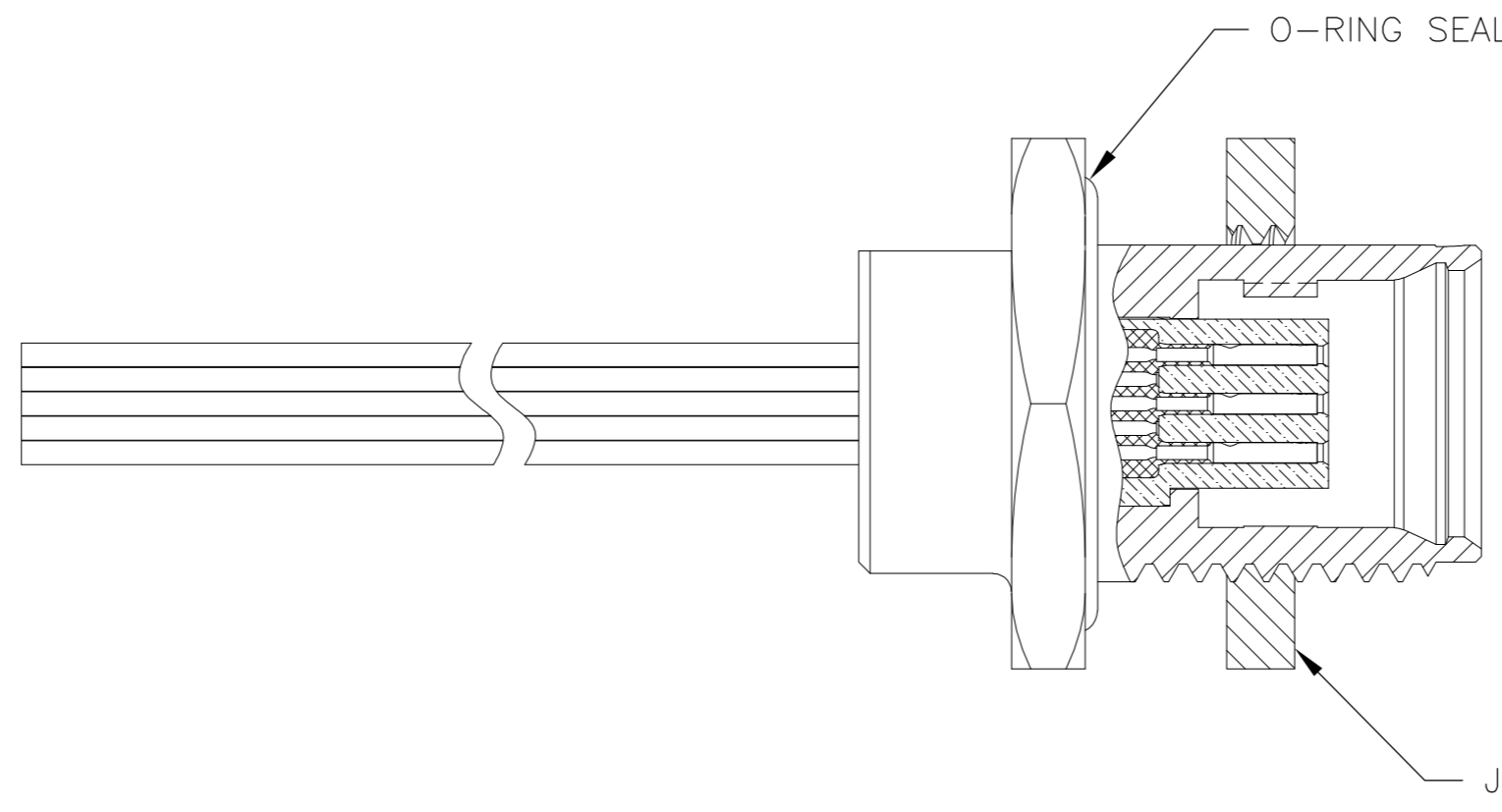
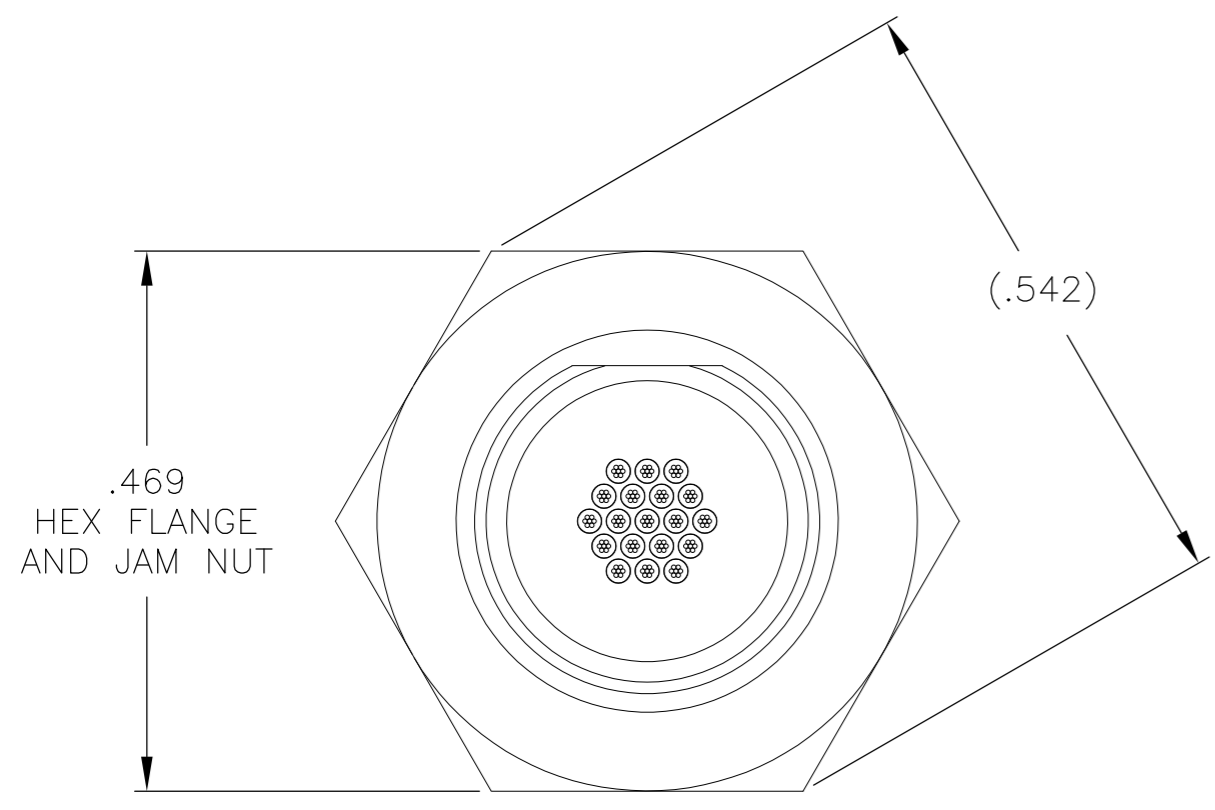
LOC		DIST		REVISIONS			
P	LTR	DESCRIPTION	DATE	DWN	APVD		
B		UPDATE PER ECO-11-013272	28 JUN 11	CAS	MKS		

SUGGESTED PANEL CUT-OUT



.125 MAX PANEL THICKNESS FOR THREADED COUPLING  
 .250 MAX PANEL THICKNESS FOR QUICK DISCONNECT

M8.0 X 0.75-6g THREAD



- CONNECTOR BODY & JAM NUT MATERIAL: 303 STAINLESS STEEL, PASSIVATED PER SAE-AMS-2700  
 INSULATOR MATERIAL: LIQUID CRYSTAL POLYMER (LCP) PER ASTM D5138 OR POLYPHENYLENE SULFIDE (PPS) PER ASTM D4067  
 O-RING MATERIAL: FLUOROSILICONE
- WIRE TERMINATION: 28 AWG SOLID, 30 AWG STRANDED WIRE OR SMALLER
- LUBRICATE O-RING WITH PARKER SUPER-O-LUBE PRIOR TO INSTALLATION
- THIS DRAWING ALSO IDENTIFIED AS NANONICS 303-0183

THIS DRAWING IS A CONTROLLED DOCUMENT.		DWN C SCHOLL 21 JAN 10	TE Connectivity	
DIMENSIONS: INCHES		CHK M STORRY 21 JAN 10	RECEPTACLE ASSEMBLY, CIRCULAR, PANEL MOUNT, THREADED COUPLING / QUICK DISCONNECT, STAINLESS STEEL SHELL, 19 POSITION	
TOLERANCES UNLESS OTHERWISE SPECIFIED: 0 PLC ± - 1 PLC ± - 2 PLC ± .010 3 PLC ± .005 4 PLC ± - ANGLES ± 1°		APVD -	NAME	RESTRICTED TO
MATERIAL SEE NOTES		FINISH SEE NOTES	SIZE A2	CAGE CODE OPJN9
		WEIGHT -	DRAWING NO 1925133	SCALE 6:1
		CUSTOMER DRAWING	SHEET 1 of 1	REV B