

Ohmite's Little Demons are small, reliable carbon composition resistors with exceptional strength. They are made tough by a molding process that combines the terminals, insulation and resistive element into an integrated unit. Along with their small size, Little Demons perform with low noise, dissipate heat rapidly and offer high temperature stability.

Color codes are readable even after prolonged use thanks to a very durable coating that resists abrasions and chipping normally associated with automatic insertion equipment.

FEATURES

- Molded insulation for high dielectric strength.
- Rugged construction.
- High surge capabilities.
- Comparable to "Mil" RC07, RC20, and RC32 types.

SPECIFICATIONS

Material

Terminals: Solder-coated copper terminal.

Body: Molded Phenolic

Electrical

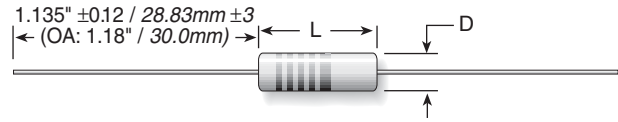
Tolerance: ±5% (OD/OF); ±10% (OA)

Derating: Linearly from 100% @ +70°C to 0% @ 130°C



Little Demon®

Carbon Composition Molded OD/OF Series (5% Tol.) OA Series (10%)



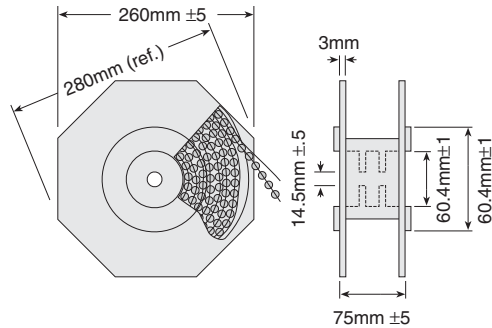
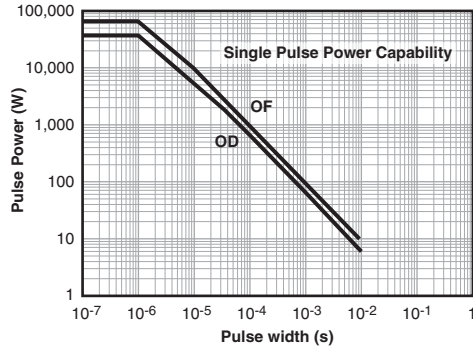
Series	Wattage	Ohms	Dimensions (in. / mm)		Max. Dielectric			
			Tol.	Length max.	Diam. max.	Voltage VAC	Lead Dia.	
OD	0.25	2.2-5.6M	±5%	0.276 / 7.0	0.098 / 2.5	250	500	0.024/0.60
OF	0.50	2.2-20M	±5%	0.406 / 10.3	0.150 / 3.8	350	700	0.028/0.70
OA	1.00	2.2-1M	±10%	0.591 / 15.0	0.236 / 6.0	500	1000	0.035/0.92

ORDERING INFO

OD 683 JE -TR

Series	Ohms	Tolerance
OD 68G =	6.8	OD, OF: J = 5%
OF 680 =	68	OA: K = 10%
OA 681 =	680	
	682 = 6,800	
	683 = 68,000	
	684 = 680,000	

Tape & reel optional
RoHS compliant



PACKAGING

For complete Little Demon tape and reel dimensions, see: <http://www.ohmite.com/info/little-demon>

	OD	OF
Tape/Reel Qty./reel	5000	3000
Reel size (mm)	260	260
Qty./carton	40,000	24,000
Gross carton wt. (kg)	12	13
Carton size (m³)	0.04	0.04
Ammo Box Qty./box	2000	2000
Qty./carton	30,000	30,000
Gross carton wt. (kg)	10	16
Carton size (m³)	0.03	0.05

STANDARD PART NUMBERS FOR LITTLE DEMON SERIES

Ohmic value	Wattage			Ohmic value	Wattage			Ohmic value	Wattage			Ohmic value	Wattage			Ohmic value	Wattage						
	Part No. Prefix Suffix	OD	OF		OA * 1.0	Part No. Prefix Suffix	OD		OF	OA * 1.0	Part No. Prefix Suffix		OD	OF	OA * 1.0		Part No. Prefix Suffix	OD	OF	OA * 1.0	Part No. Prefix Suffix	OD	OF
2.2	22GJE	✓	✓	33	330JE	✓	✓	470	471JE	✓	✓	6800	682JE	✓	✓	100,000	104JE	✓	✓	1.5M	155JE	✓	✓
2.4	24GJE	✓	✓	36	360JE	✓	✓	510	511JE	✓	✓	7500	752JE	✓	✓	110,000	114JE	✓	✓	1.6M	165JE	✓	✓
2.7	27GJE	✓	✓	39	390JE	✓	✓	560	561JE	✓	✓	8200	822JE	✓	✓	120,000	124JE	✓	✓	1.8M	185JE	✓	✓
3	30GJE	✓	✓	43	430JE	✓	✓	620	621JE	✓	✓	9100	912JE	✓	✓	130,000	134JE	✓	✓	2.0M	205JE	✓	✓
3.3	33GJE	✓	✓	47	470JE	✓	✓	680	681JE	✓	✓	10,000	103JE	✓	✓	150,000	154JE	✓	✓	2.2M	225JE	✓	✓
3.6	36GJE	✓	✓	51	510JE	✓	✓	750	751JE	✓	✓	11,000	113JE	✓	✓	160,000	164JE	✓	✓	2.4M	245JE	✓	✓
3.9	39GJE	✓	✓	56	560JE	✓	✓	820	821JE	✓	✓	12,000	123JE	✓	✓	180,000	184JE	✓	✓	2.7M	275JE	✓	✓
4.3	43GJE	✓	✓	62	620JE	✓	✓	910	911JE	✓	✓	13,000	133JE	✓	✓	200,000	204JE	✓	✓	3.0M	305JE	✓	✓
4.7	47GJE	✓	✓	68	680JE	✓	✓	1000	102JE	✓	✓	15,000	153JE	✓	✓	220,000	224JE	✓	✓	3.3M	335JE	✓	✓
5.1	51GJE	✓	✓	75	750JE	✓	✓	1100	112JE	✓	✓	16,000	163JE	✓	✓	240,000	244JE	✓	✓	3.6M	365JE	✓	✓
5.6	56GJE	✓	✓	82	820JE	✓	✓	1200	122JE	✓	✓	18,000	183JE	✓	✓	270,000	274JE	✓	✓	3.9M	395JE	✓	✓
6.2	62GJE	✓	✓	91	910JE	✓	✓	1300	132JE	✓	✓	20,000	203JE	✓	✓	300,000	304JE	✓	✓	4.3M	435JE	✓	✓
6.8	68GJE	✓	✓	100	101JE	✓	✓	1500	152JE	✓	✓	22,000	223JE	✓	✓	330,000	334JE	✓	✓	4.7M	475JE	✓	✓
7.5	75GJE	✓	✓	110	111JE	✓	✓	1600	162JE	✓	✓	24,000	243JE	✓	✓	360,000	364JE	✓	✓	5.1M	515JE	✓	✓
8.2	82GJE	✓	✓	120	121JE	✓	✓	1800	182JE	✓	✓	27,000	273JE	✓	✓	390,000	394JE	✓	✓	5.6M	565JE	✓	✓
9.1	91GJE	✓	✓	130	131JE	✓	✓	2000	202JE	✓	✓	30,000	303JE	✓	✓	430,000	434JE	✓	✓	6.2M	625JE	✓	✓
10	100JE	✓	✓	150	151JE	✓	✓	2200	222JE	✓	✓	33,000	333JE	✓	✓	470,000	474JE	✓	✓	6.8M	685JE	✓	✓
11	110JE	✓	✓	160	161JE	✓	✓	2400	242JE	✓	✓	36,000	363JE	✓	✓	510,000	514JE	✓	✓	7.5M	755JE	✓	✓
12	120JE	✓	✓	180	181JE	✓	✓	2700	272JE	✓	✓	39,000	393JE	✓	✓	560,000	564JE	✓	✓	8.2M	825JE	✓	✓
13	130JE	✓	✓	200	201JE	✓	✓	3000	302JE	✓	✓	43,000	433JE	✓	✓	620,000	624JE	✓	✓	9.1M	915JE	✓	✓
15	150JE	✓	✓	220	221JE	✓	✓	3300	332JE	✓	✓	47,000	473JE	✓	✓	680,000	684JE	✓	✓	10M	106JE	✓	✓
16	160JE	✓	✓	240	241JE	✓	✓	3600	362JE	✓	✓	51,000	513JE	✓	✓	750,000	754JE	✓	✓	11M	116JE	✓	✓
18	180JE	✓	✓	270	271JE	✓	✓	3900	392JE	✓	✓	56,000	563JE	✓	✓	820,000	824JE	✓	✓	12M	126JE	✓	✓
20	200JE	✓	✓	300	301JE	✓	✓	4300	432JE	✓	✓	62,000	623JE	✓	✓	910,000	914JE	✓	✓	13M	136JE	✓	✓
22	220JE	✓	✓	330	331JE	✓	✓	4700	472JE	✓	✓	68,000	683JE	✓	✓	1M	105JE	✓	✓	15M	156JE	✓	✓
24	240JE	✓	✓	360	361JE	✓	✓	5100	512JE	✓	✓	75,000	753JE	✓	✓	1.1M	115JE	✓	✓	16M	166JE	✓	✓
27	270JE	✓	✓	390	391JE	✓	✓	5600	562JE	✓	✓	82,000	823JE	✓	✓	1.2M	125JE	✓	✓	18M	186JE	✓	✓
30	300JE	✓	✓	430	431JE	✓	✓	6200	622JE	✓	✓	91,000	913JE	✓	✓	1.3M	135JE	✓	✓	20M	206JE	✓	✓

* Shaded area: Change "J" in Suffix to "K"