

**ebm-papst St. Georgen GmbH & Co. KG**

Hermann-Papst-Str. 1
 D-78112 St. Georgen
 Phone +49 (0) 7724 81-0
 Fax +49 (0) 7724 81-1309
 info2@de.ebmpapst.com
 www.ebmpapst.com

Nominal data

Type	6312 /2 TDHP	
Nominal voltage	VDC	12
Nominal voltage range	VDC	8 .. 16
Speed (rpm)	min ⁻¹	5500
Power consumption	W	40
Min. ambient temperature	°C	-20
Max. ambient temperature	°C	70
Air flow	m ³ /h	600
Sound power level	B	7.3
Sound pressure level	dB(A)	60

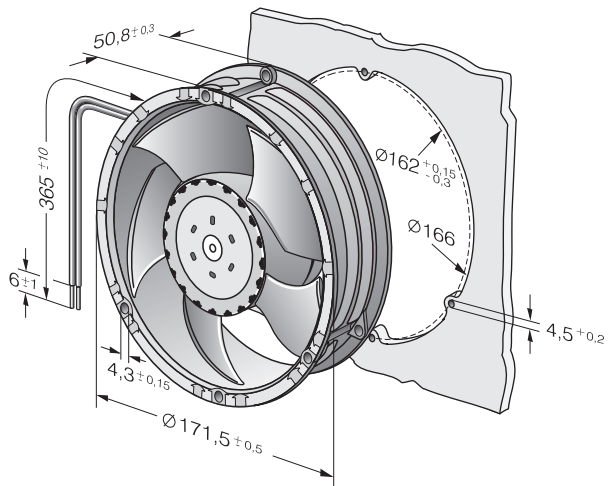
ml = Max. load · me = Max. efficiency · fa = Free air · cs = Customer specification · ce = Customer equipment
 Subject to change



Technical description

General description	Power consumption when wide open; these values may be considerably higher at the operating point.
Weight	0.910 kg
Dimensions	Ø 172 x 51 mm
Impeller material	Glass-fiber reinforced PA plastic
Housing material	Die-cast aluminum
Airflow direction	Exhaust over struts
Direction of rotation	Counterclockwise, viewed toward rotor
Bearing	Ball bearing
Service life L10 at 40 °C	75000 h
Service life L10 at maximum temperature	37500 h
Cable	With leads AWG 18, 20 or AWG 22, TR 64, speed signal and control input AWG 22
Motor protection	Protection against reverse polarity and blocked rotor.

Product drawing



Curves

