

**ebm-papst St. Georgen GmbH & Co. KG**

Hermann-Papst-Str. 1

D-78112 St. Georgen

Phone +49 (0) 7724 81-0

Fax +49 (0) 7724 81-1309

info2@de.ebmpapst.com

www.ebmpapst.com

**Nominal data**

Type	6318N/2 H3P	
Nominal voltage	VDC	48
Nominal voltage range	VDC	36 .. 60
Speed (rpm)	min <sup>-1</sup>	5000
Power consumption	W	53
Min. ambient temperature	°C	-20
Max. ambient temperature	°C	70
Air flow	m <sup>3</sup> /h	685
Sound power level	B	7.5

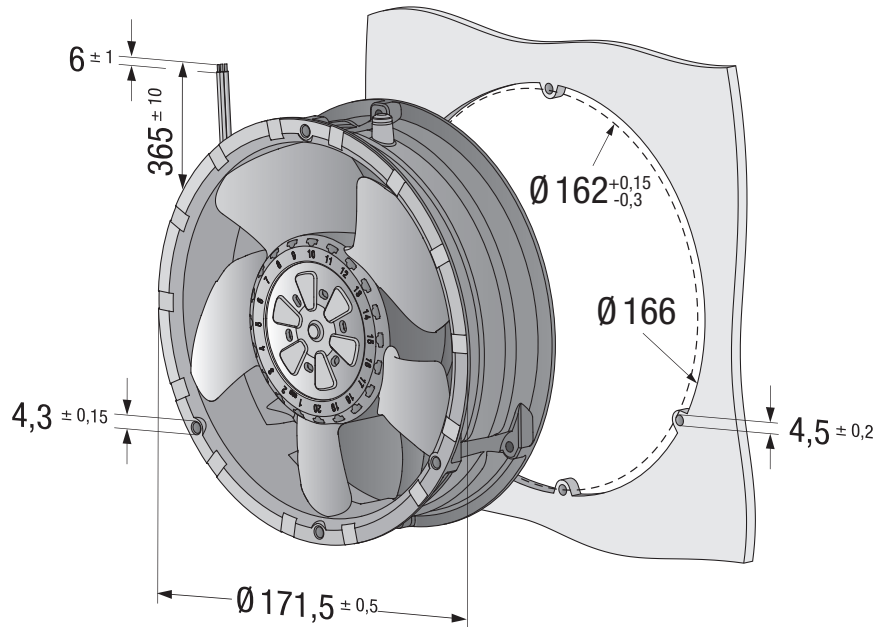
ml = Max. load · me = Max. efficiency · fa = Free air · cs = Customer specification · ce = Customer equipment  
Subject to change



**Technical description**

<b>General description</b>	Single-phase fan drive with very smooth operation and high efficiency Housing with grounding lug for M4 x 8 screw (Torx)
<b>Weight</b>	0.85 kg
<b>Dimensions</b>	Ø 172 x 51 mm
<b>Impeller material</b>	Glass-fiber reinforced PA plastic
<b>Housing material</b>	Die-cast aluminum
<b>Airflow direction</b>	Exhaust over struts
<b>Direction of rotation</b>	Counterclockwise, viewed toward rotor
<b>Bearing</b>	Ball bearing
<b>Service life L10 at 40 °C</b>	77.500 h
<b>Service life L10 at maximum temperature</b>	40.000 h
<b>Cable</b>	AWG 22, UL 1007, TR 64; speed and alarm signal: AWG 24, UL 1007, TR 64
<b>Approval</b>	VDE, CSA, UL

Product drawing



Curves

