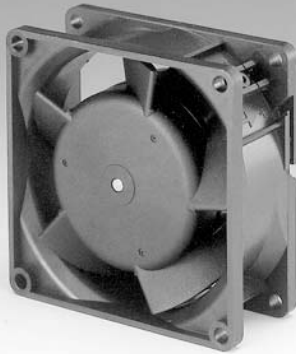


8300 Series

Tubeaxial

80x80x32mm



- DC fans with electronically commutated external rotor motor. Fully integrated commutation electronics.

- With electronic protection against reverse polarity, blocking and overloading by PTC-resistor; partially impedance protected.

- Mounting from either face using four 4.3 mm holes.

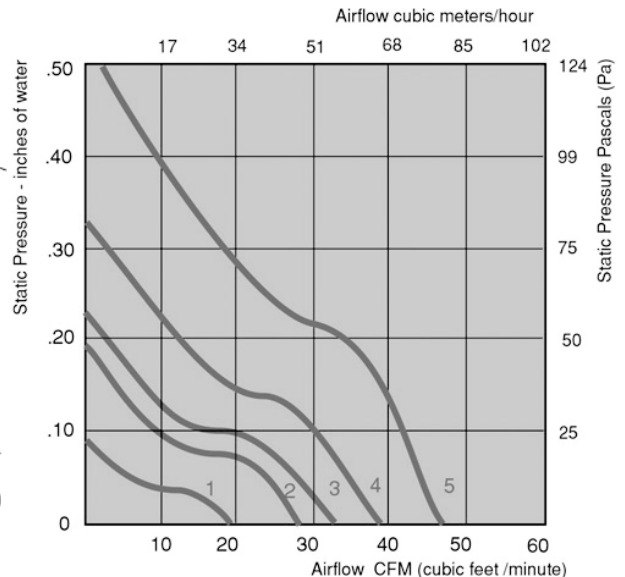
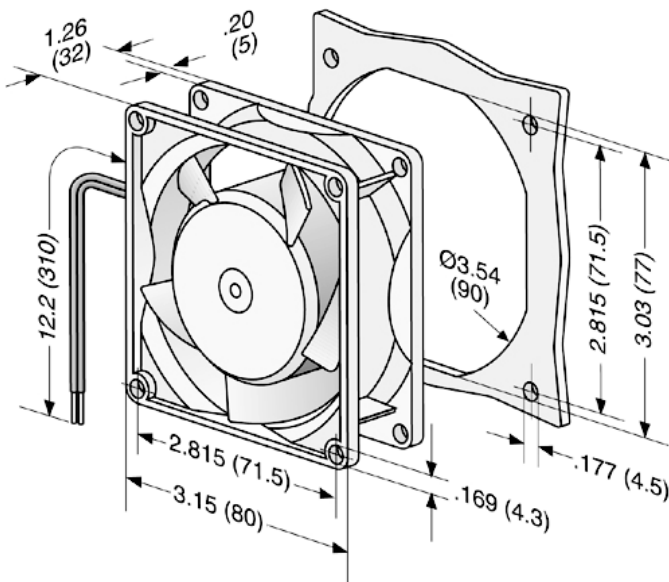
- Fan of fiberglass reinforced plastic. PBTP housing, PA impeller.

- Air exhaust over struts. Rotational direction CW looking at rotor.

- Electrical connection via 2 leads AWG 22, TR 64. Stripped and tinned ends.

- UL, CSA, VDE approvals on some models, please contact application engineering.

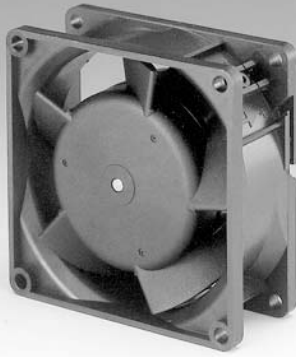
Part Number	CFM @ 0	Curve	Volts	Voltage Range	Power (W)	dBA	Max Ambient Temp C	Wgt. (lbs)	Type Of Bearing	Features
8312GL	19	1	12	6 to 15	1.0	24	75	0.38	Sintec	Leads
8312L	19	1	12	6 to 15	1.0	24	75	0.38	Ball	Leads
8392L	19	1	12	6 to 15	1.0	24	75	0.38	Ball	Terminals
8312GM	28	2	12	6 to 15	1.8	34	75	0.38	Sintec	Leads
8312M	28	2	12	6 to 15	1.8	34	75	0.38	Ball	Leads
8312	32	3	12	6 to 15	2.2	36	75	0.38	Ball	Leads
8312G	32	3	12	6 to 15	2.5	36	75	0.38	Sintec	Leads
8312S	32	3	12	6 to 15	2.2	36	75	0.38	Ball	Leads
8392	32	3	12	6 to 15	2.2	36	75	0.38	Ball	Terminals
8312HL	39	4	12	6 to 15	4.0	43	75	0.38	Ball	Leads
<hr/>										
8314L	19	1	24	12 to 28	1.0	24	75	0.38	Ball	Leads
8394L	19	1	24	12 to 28	1.0	24	75	0.38	Ball	Terminals
8314M	28	2	24	12 to 28	2.1	34	75	0.38	Ball	Leads
8314	32	3	24	12 to 28	2.5	36	75	0.38	Ball	Leads
8314G	32	3	24	12 to 28	2.5	36	75	0.38	Sintec	Leads
8314S	32	3	24	12 to 28	2.5	36	75	0.38	Ball	Leads



8300 Series

Tubeaxial

80x80x32mm



- DC fans with electronically commutated external rotor motor. Fully integrated commutation electronics.

- With electronic protection against reverse polarity, blocking and overloading by PTC-resistor; partially impedance protected.

- Mounting from either face using four 4.3 mm holes.

- Fan of fiberglass reinforced plastic. PBTP housing, PA impeller.

- Air exhaust over struts. Rotational direction CW looking at rotor.

- Electrical connection via 2 leads AWG 22, TR 64. Stripped and tinned ends.

- UL, CSA, VDE approvals on some models, please contact application engineering.

Part Number	CFM @ 0	Curve	Volts	Voltage Range	Power (W)	dBA	Max Ambient Temp C	Wgt. (lbs)	Type Of Bearing	Features
8374	32	3	24	12 to 28	2.5	36	75	0.38	Ball	Terminals
8394	32	3	24	12 to 28	2.5	36	75	0.38	Ball	Terminals
8314HL	39	4	24	12 to 28	4.3	43	75	0.38	Ball	Leads
8314H	47	5	24	20 to 26.5	6.0	48	75	0.38	Ball	Leads
8318	32	3	48	36 to 56	2.6	36	75	0.38	Ball	Leads
8318/2	32	3	48	36 to 56	2.6	36	75	0.38	Ball	Leads
8398	32	3	48	36 to 56	2.6	36	75	0.38	Ball	Terminals
8318HL	39	4	48	36 to 56	4.3	43	75	0.38	Ball	Leads
8318H	47	5	48	36 to 56	5.8	48	65	0.38	Ball	Leads

