

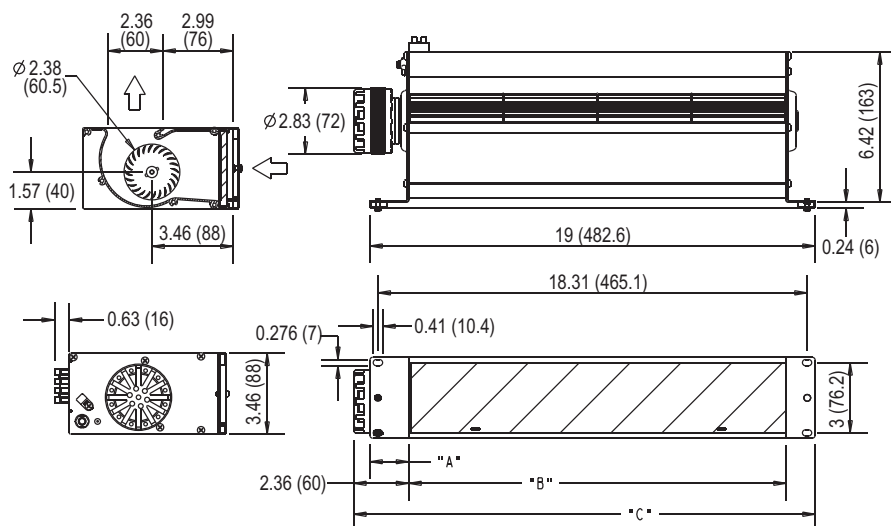
FE1Q060 Series Crossflow Blower

380... 409mm x Ø 60mm Impeller

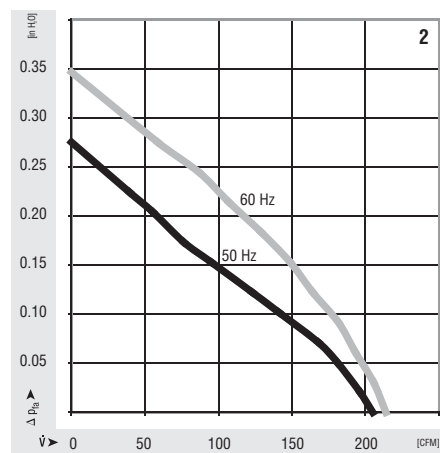
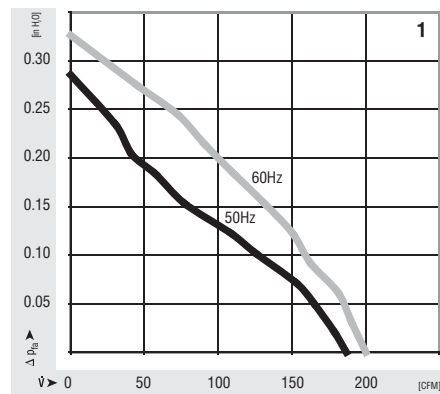


- Impeller made of aluminum
- PSC (permanent split capacitor) motor. Bearings in motor and counter-bearing are all ball-bearing.
- Extrusion made of aluminum
- End plates finished in black powder coat paint
- UL recognition, CE
- Electrical connections via a terminal block
- Blowers with grill include filter media

Part Number	Curve	VAC	Hertz	Airflow (CFM)*	Power Input (W)*	Noise (dBA)	Max Amb. Temp. °C	Weight (lbs.)	Grill	in.(mm)		
										A	B	C
FE1Q-115-060-01	2	115	60	215	32	55	60	5.0	Yes	1.65(42)	16.10(409)	19.69(500)
FE1Q-115-060-02	1	115	60	200	31	56	60	5.0	Yes	1.65(42)	14.96(380)	19.69(500)
FE1Q-230-060-01	2	230	50/60	205/215	30/39	55	60	4.5	No	1.65(42)	16.10(409)	19.69(500)
FE1Q-230-060-02	2	230	50/60	205/215	30/39	55	60	5.0	Yes	1.65(42)	16.10(409)	19.69(500)
FE1Q-230-060-03	1	230	50/60	188/200	29/38	54/56	60	4.5	No	3.03(77)	14.96(380)	18.54(471)
FE1Q-230-060-04	1	230	50/60	188/200	29/38	54/56	60	5.0	Yes	3.03(77)	14.96(380)	18.54(471)



* Data based on free delivery conditions. Subject to alterations.



ebmpapst

e-mail: sales@us.ebmpapst.com · TEL: 860-674-1515 · FAX: 860-674-8536

ebm-papst Inc., 100 Hyde Road, Farmington, CT 06034 USA

ebm-papst Inc., 2006 © ebm-papst Inc. reserves the right to change any specifications or data without notice

FE1Q060 Series Crossflow Blower

Accessories - Grill

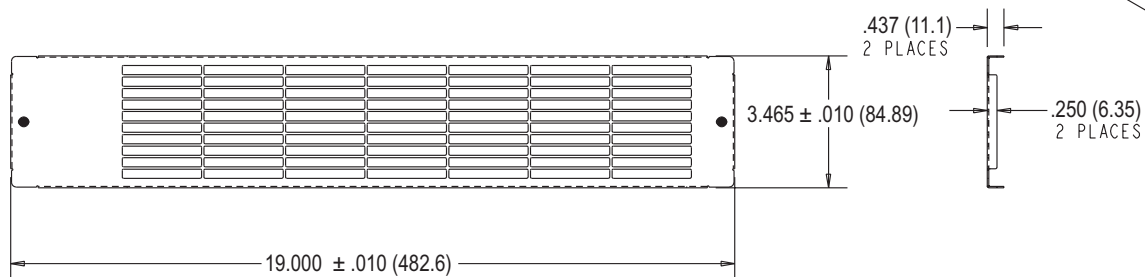
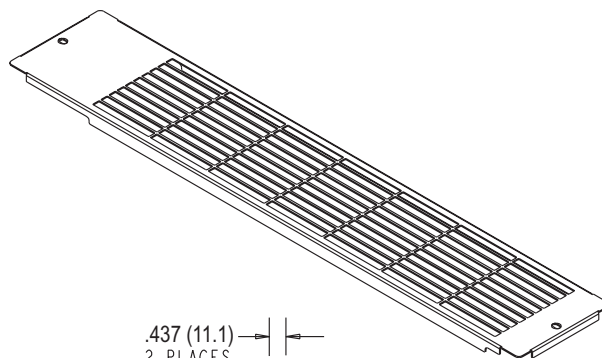


■ Available accessories:

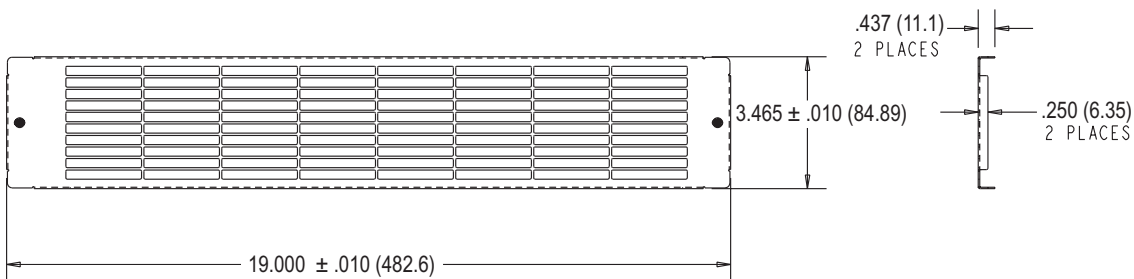
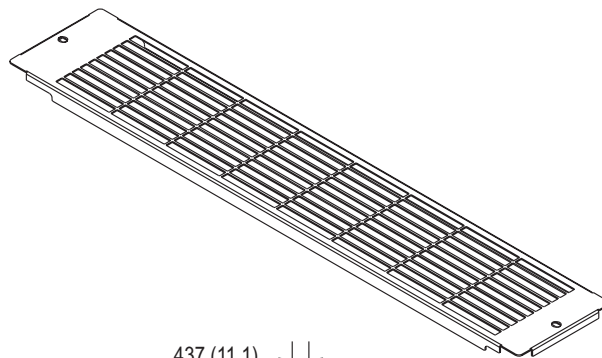
PN	Desc.
HX0F-000-060-01	Grill & Fasteners for 380mm CrossFlow Blower
HX0F-000-060-02	Grill & Fasteners for 409mm CrossFlow Blower
715-00-0062	Replacement 380mm filter
715-00-0060	Replacement 409mm filter

■ Filter: 0.31 inches thick, 25 PPI, open cell
black polyurethane foam rated UL900 Class 2

HX0F-000-060-01



HX0F-000-060-02



Mouser Electronics

Authorized Distributor

Click to View Pricing, Inventory, Delivery & Lifecycle Information:

[ebm-papst:](#)

[FE1Q-115-060-01](#) [FE1Q-115-060-02](#) [FE1Q-230-060-01](#) [FE1Q-230-060-02](#) [FE1Q-230-060-03](#) [FE1Q-230-060-04](#)