

AC centrifugal fans

backward curved, Ø 250



- **Material:** plastic impeller made of PA 6.6 (polyamide, glass-fibre reinforced), round sheet-metal plate

ebm-papst • Mulfingen

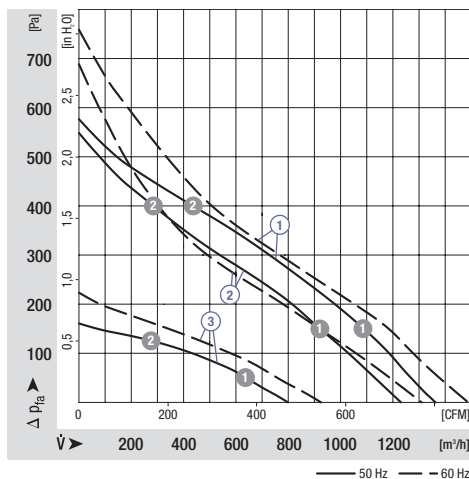
Nominal data		Characteristic	Voltage	Frequency	Air flow	Speed/rpm	Power input	Current draw	Capacitor	Noise level	Perm. amb. temp.	Mass
Type	Motor		VAC	Hz	m³/h	min⁻¹	W	A	µF/VDB	dB(A)	°C	kg
R2E 250-AS47 -05	M2E 068-EC	①	230	50	1450	2600	155	0,70	5,0/400	75	50	3,1
			230	60 ⁽¹⁾	1490	2700	215	0,95	5,0/400	76	45	
R2E 250-AQ05 -05	M2E 068-DF	②	230	50	1230	2550	130	0,57	4,0/400	73	50	2,6
			230	60	1320	2750	180	0,80	4,0/400	75	40	
R4E 250-AH01 -05	M4E 068-CF	③	230	50	810	1400	43	0,20	1,5/400	61	70	2,2
			230	60	930	1600	43	0,20	1,0/400	64	80	

subject to alterations

⁽¹⁾ Insulation class "F" required at 60 Hz

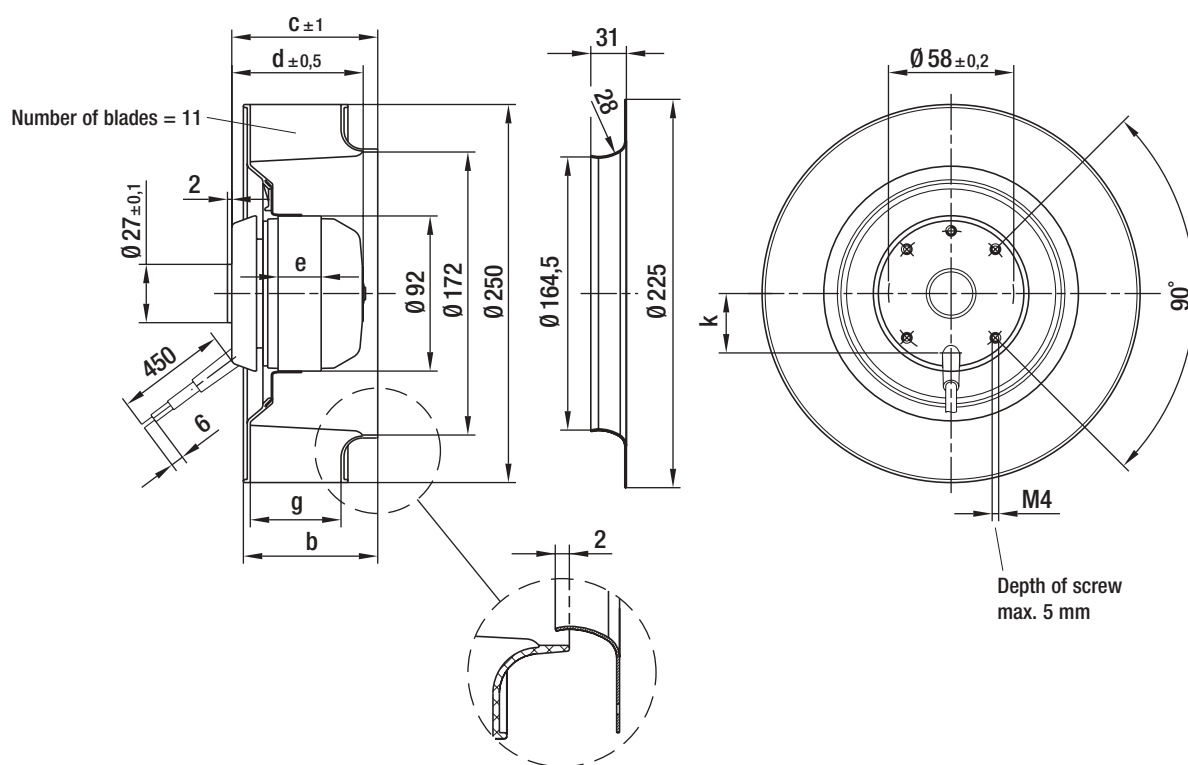
	n [min⁻¹]	P ₁ [W]
① ①	2400	152
① ②	2400	152
② ①	2460	172
② ②	2435	175
③ ①	1385	46
③ ②	1370	47

Characteristics



Dimensions

Type	b	c	d	e	g	k	Inlet ring
R2E 250-AS47 -05	84,3	99	97,5	42	56	27	96359-2-4013
R2E 250-AQ05 -05	73,3	89	82,5	35	45	27	96359-2-4013
R4E 250-AH01 -05	84,3	99	72,6	25	56	29	96359-2-4013



Mouser Electronics

Authorized Distributor

Click to View Pricing, Inventory, Delivery & Lifecycle Information:

[ebm-papst:](#)

[R2E250-AS47-05](#)