


**ebm-papst St. Georgen GmbH & Co. KG**

Hermann-Papst-Str. 1  
 D-78112 St. Georgen  
 Phone +49 (0) 7724 81-0  
 Fax +49 (0) 7724 81-1309  
 info2@de.ebmpapst.com  
 www.ebmpapst.com

## Nominal data

Type	RER 125-19/18 N	
Nominal voltage	VDC	48
Nominal voltage range	VDC	36 .. 56
Speed (rpm)	min <sup>-1</sup>	2650
Power consumption	W	4.2
Min. ambient temperature	°C	-30
Max. ambient temperature	°C	75
Air flow	m <sup>3</sup> /h	110
Sound power level	B	5.7

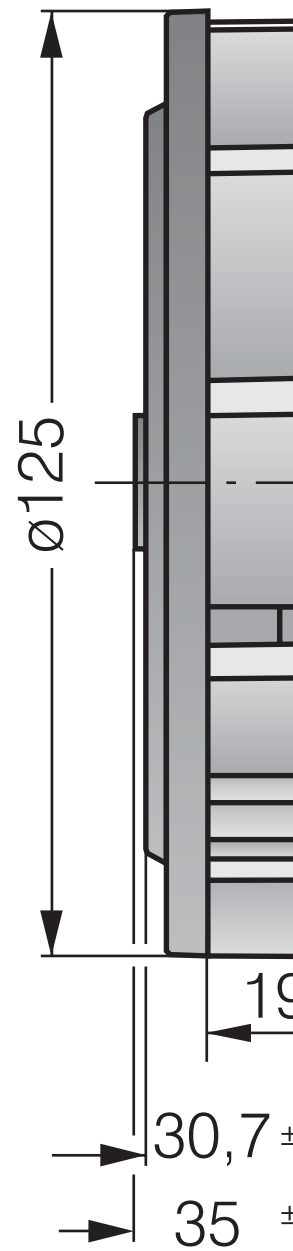
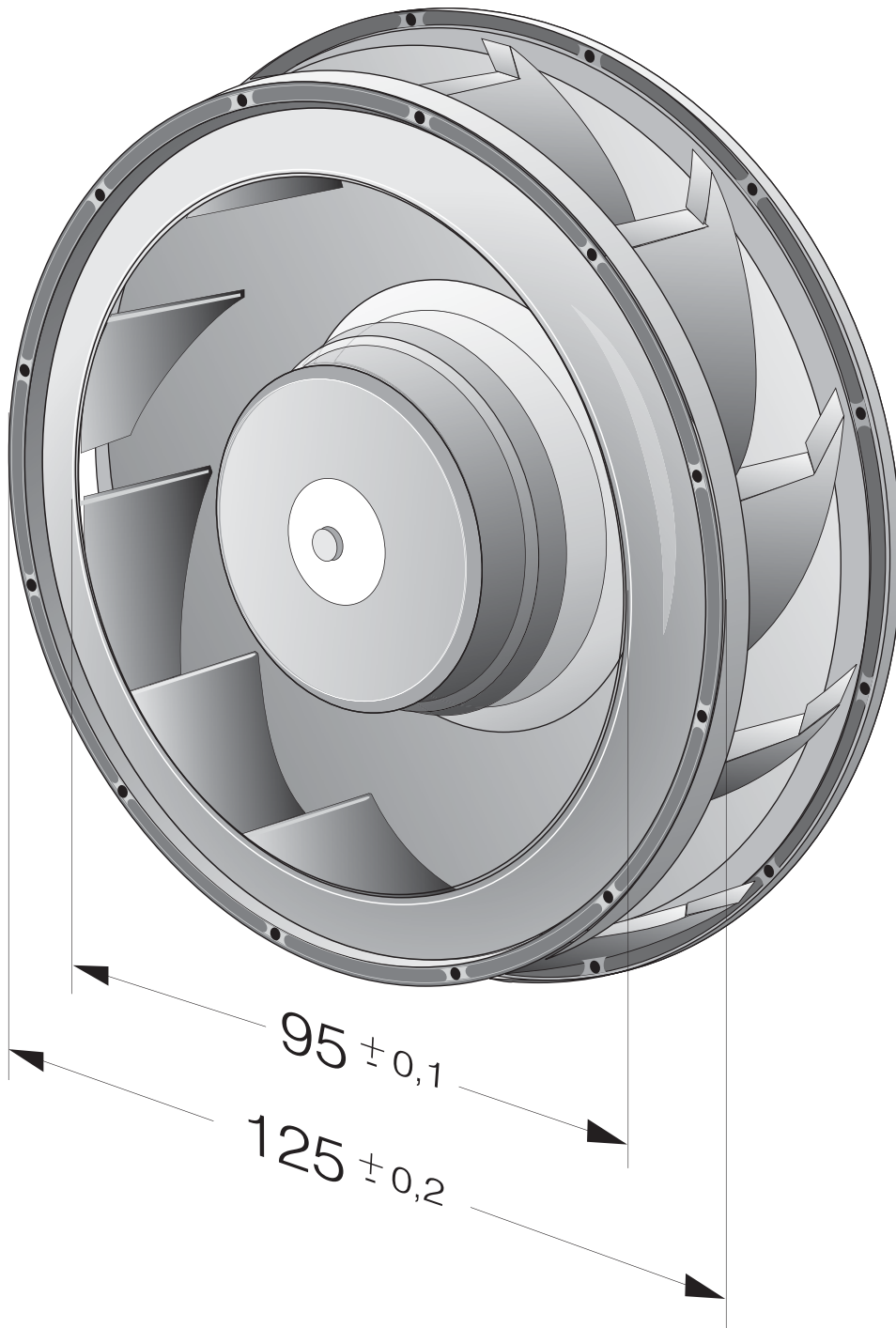
ml = Max. load · me = Max. efficiency · fa = Free air · cs = Customer specification · ce = Customer equipment  
 Subject to change



## Technical description

<b>General description</b>	Backward-curved impeller
<b>Weight</b>	0.320 kg
<b>Dimensions</b>	Ø 138 x 35 mm
<b>Impeller material</b>	Glass-fiber reinforced plastic
<b>Airflow direction</b>	Axial intake, radial discharge
<b>Direction of rotation</b>	Clockwise, viewed toward rotor
<b>Bearing</b>	Ball bearing
<b>Service life L10 at 40 °C</b>	62500 h
<b>Service life L10 at maximum temperature</b>	27500 h
<b>Cable</b>	With leads AWG 22, TR 64
<b>Motor protection</b>	Protection against reverse polarity and blocked rotor.
<b>Locked-rotor protection</b>	With electronic locked-rotor and overload protection.
<b>Approval</b>	VDE, CSA, UL, CE
<b>Option</b>	Vario-Pro fan

Product drawing



6 +1



## Curves: Air performance

