

RER 160-28/06S

# AC centrifugal compact fan

single-intake



## ebm-papst St. Georgen GmbH & Co. KG

Hermann-Papst-Str. 1

D-78112 St. Georgen

Phone +49 (0) 7724 81-0

Fax +49 (0) 7724 81-1309

info2@de.ebmpapst.com

www.ebmpapst.com

## Nominal data

| Type                     | RER 160-28/06S    |      |
|--------------------------|-------------------|------|
| Phase                    |                   | 1~   |
| Nominal voltage          | VAC               | 115  |
| Frequency                | Hz                | 60   |
| Speed (rpm)              | min <sup>-1</sup> | 3250 |
| Power consumption        | W                 | 46.0 |
| Min. ambient temperature | °C                | -30  |
| Max. ambient temperature | °C                | 70   |
| Air flow                 | m <sup>3</sup> /h | 274  |
| Sound power level        | B                 | 6.8  |

ml = Max. load · me = Max. efficiency · fa = Free air · cs = Customer specification · ce = Customer equipment  
Subject to change



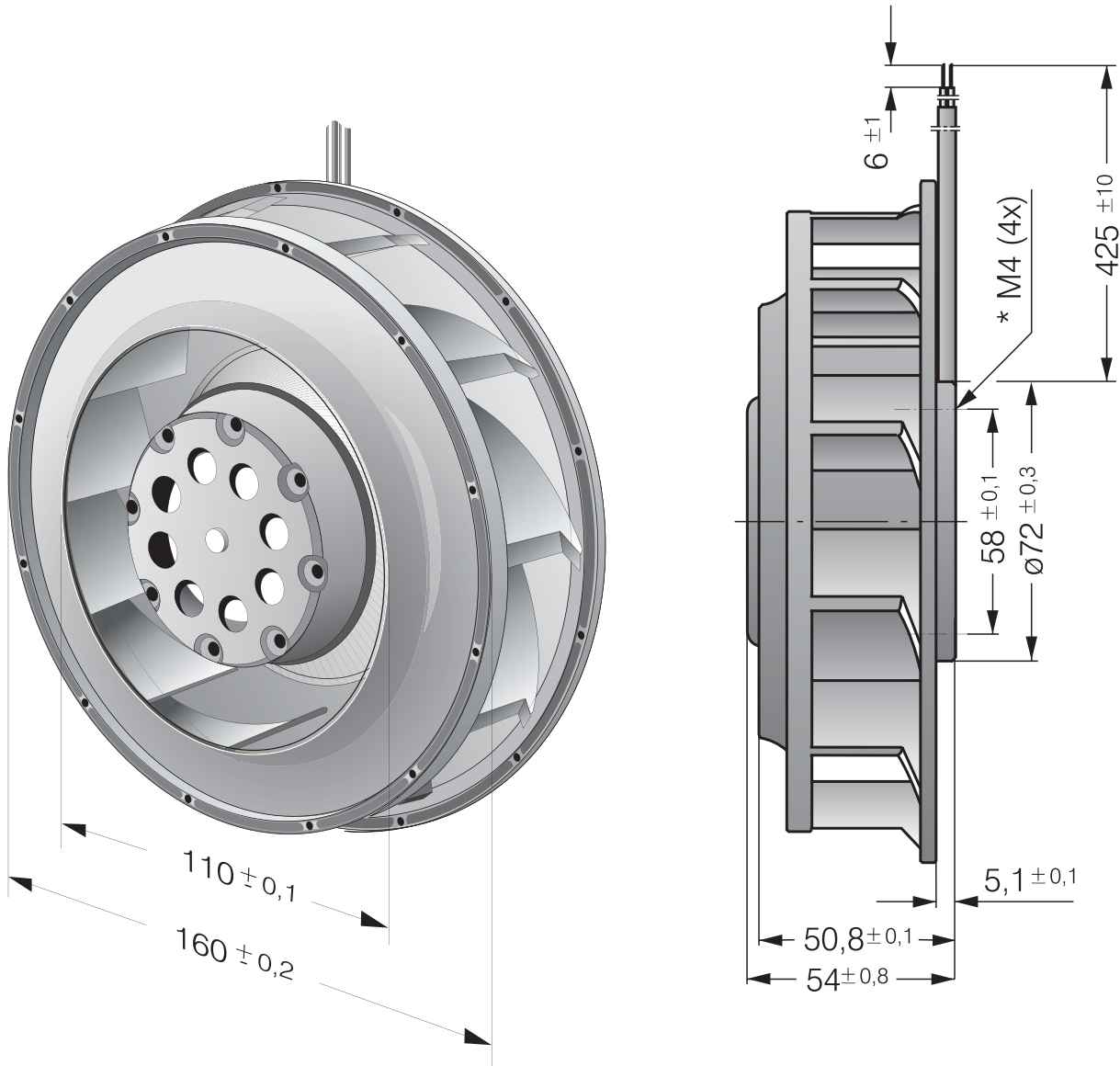
## Technical description

|  |  |
|--|--|
| <b>General description</b>                     | Backward-curved impeller   |
| <b>Impeller material</b>                       | Glass-fiber reinforced PA plastic, strengthened with sheet steel |
| <b>Weight</b>                                  | 1.000 kg   |
| <b>Dimensions</b>                              | Ø 176 x 54 mm  |
| <b>Housing material</b>                        | Glass-fiber reinforced PBT plastic                               |
| <b>Airflow direction</b>                       | Radial   |
| <b>Direction of rotation</b>                   | Counterclockwise, viewed toward rotor                            |
| <b>Storage</b>                                 | Ball bearing   |
| <b>Service life L10 at 40 °C</b>               | 30000 h  |
| <b>Service life L10 at maximum temperature</b> | 15000 h  |
| <b>Cable</b>                                   | 2 leads AWG 18   |
| <b>Motor protection</b>                        | Protected from overload by impedance protection                  |

# AC centrifugal compact fan

single-intake

## Product drawing



## Curves

