

RER 160-28/56S

AC centrifugal compact fan

single-intake



ebm-papst St. Georgen GmbH & Co. KG

Hermann-Papst-Str. 1

D-78112 St. Georgen

Phone +49 (0) 7724 81-0

Fax +49 (0) 7724 81-1309

info2@de.ebmpapst.com

www.ebmpapst.com

Nominal data

Type	RER 160-28/56S	
Phase		1~
Nominal voltage	VAC	230
Frequency	Hz	50
Speed (rpm)	min ⁻¹	2800
Power consumption	W	45.0
Min. ambient temperature	°C	-30
Max. ambient temperature	°C	60
Air flow	m ³ /h	234
Sound power level	B	6.6

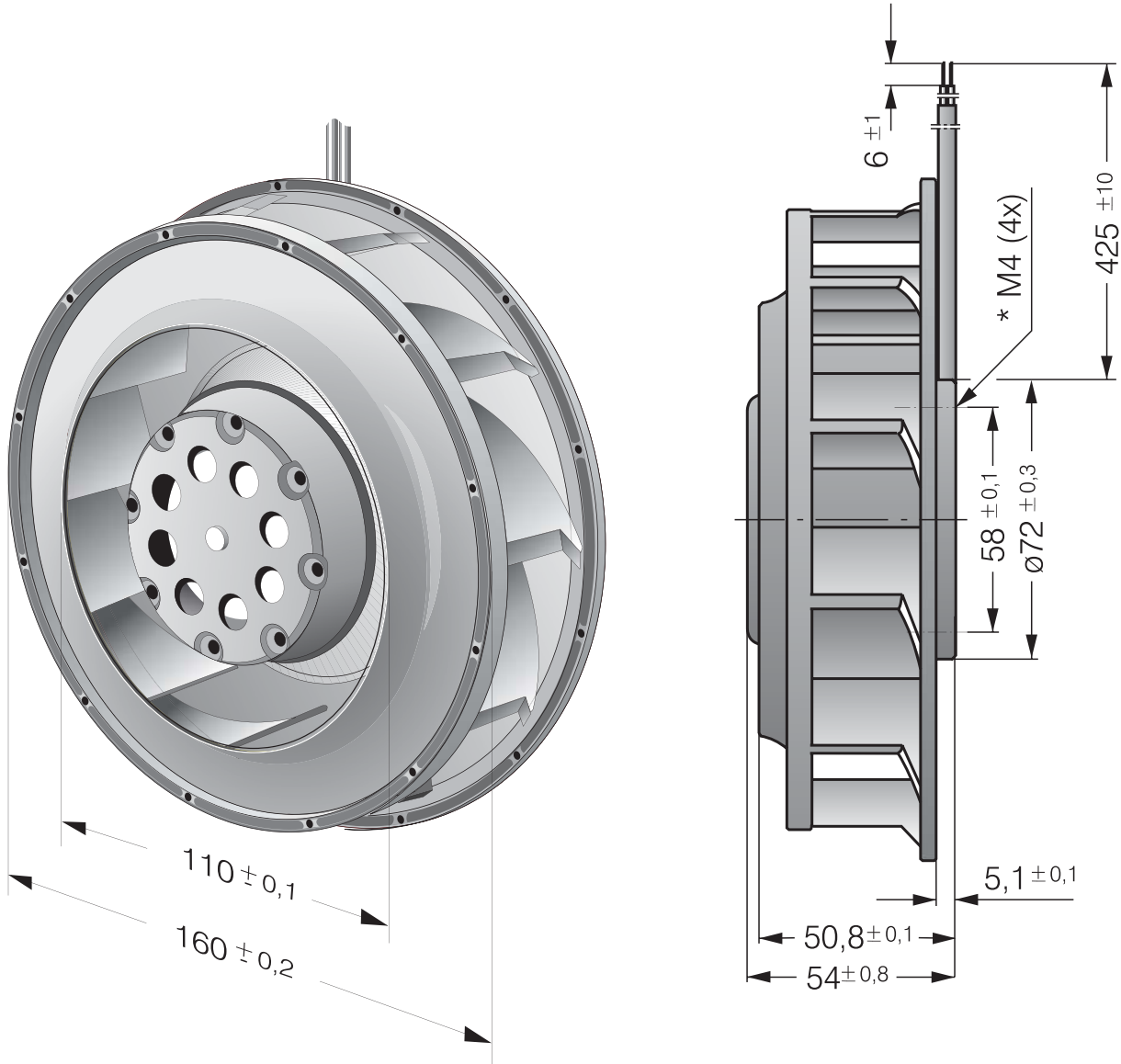
ml = Max. load · me = Max. efficiency · fa = Free air · cs = Customer specification · ce = Customer equipment
Subject to change



Technical description

General description	Backward-curved impeller
Impeller material	Glass-fiber reinforced PA plastic, strengthened with sheet steel
Weight	1.000 kg
Dimensions	Ø 176 x 54 mm
Housing material	Glass-fiber reinforced PBT plastic
Airflow direction	Radial
Direction of rotation	Counterclockwise, viewed toward rotor
Storage	Ball bearing
Service life L10 at 40 °C	30000 h
Service life L10 at maximum temperature	20000 h
Cable	Leads AWG 18
Motor protection	Protected from overload by thermal switch
Approval	VDE, CSA, UL, CE

Product drawing



Curves: Air performance

