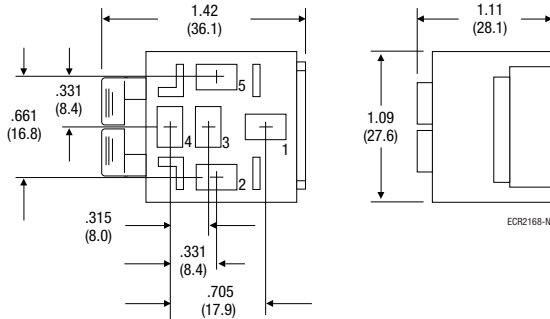


Connectors for Mini (Shrouded) / Maxi ISO Relays

Connectors for Use with Mini ISO Relays with Shrouded Dust Cover
VCF4-1003

(Terminals to be ordered separately)

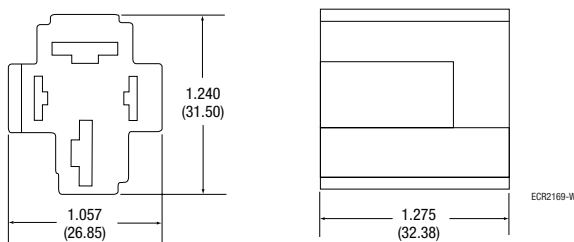


Ordering Information

Connector Description	Tyco Electronics Part Number	Part Numbers for Connectors and Crimp Terminals		Quantity Required Wire mm ²	Form A	Form C
		Part Number Crimp Terminals	Tyco Electronics Part Number			
VCF4-1003	1-1393305-3	26A1348A	1-1393310-8	0.5 - 0.8	4	5
		26A1348B	1-1393310-9	1.3 - 2.1		
		26A1348C	2-1393310-0	3.3 - 5.3		

Connectors for Use with Maxi ISO Relays
VCF7-1000

(Terminals to be ordered separately)



Ordering Information

Connector Description	Tyco Electronics Part Number	Part Numbers for Connectors and Crimp Terminals		Quantity Required
		Part Number Crimp Terminals	Tyco Electronics Part Number	
VCF7-1000	1393310-4	AMP280756-4	280756-4	2 (contacts)
		AMP280755-4	280755-4	2 (contacts) and
		AMP42281-1	42281-1	2 (coils)