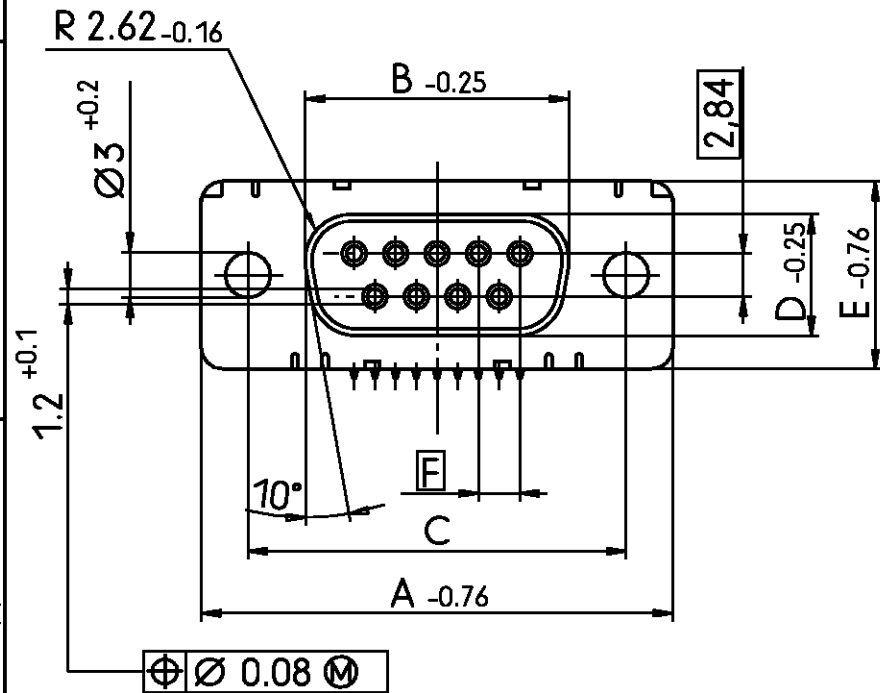


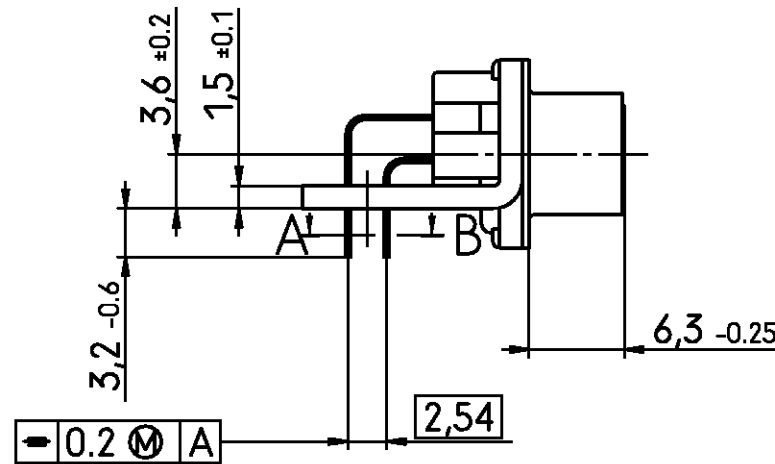
THIS INFORMATION IS CONFIDENTIAL AND PROPRIETARY TO TYCO ELECTRONICS CORPORATION AND ITS WORLDWIDE SUBSIDIARIES AND AFFILIATES. IT MAY NOT BE DISCLOSED TO ANYONE, OTHER THAN TYCO ELECTRONICS PERSONNEL, WITHOUT WRITTEN AUTHORIZATION FROM TYCO ELECTRONICS CORPORATION, HARRISBURG PENNSYLVANIA USA

PROPRIETARY:

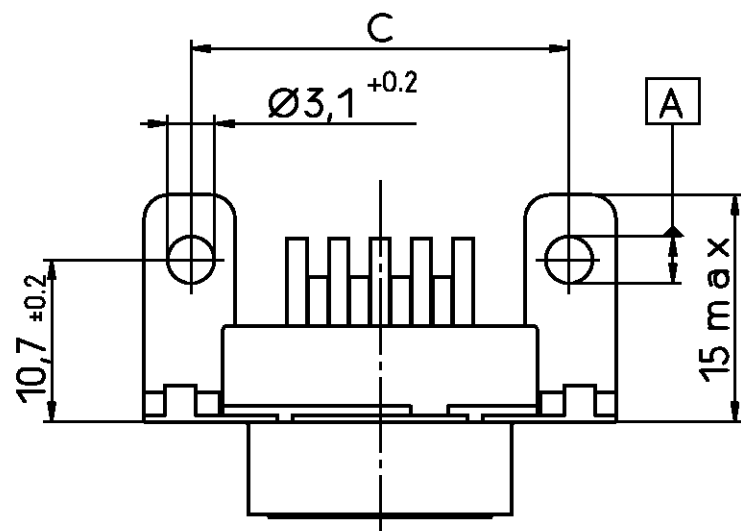
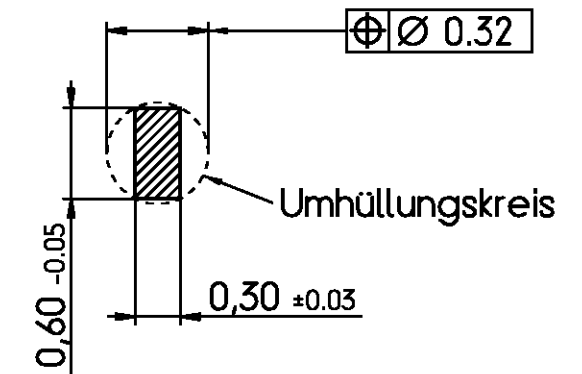
Standardausführung: V23529-Bx121-Bxxx-+
Standardversion



Einbauhöhe
Mounting height



Schnitt AB des Lötanschlusses
Cross-section AB of solderpin
(20:1)



Ordercode Sachnr	Contacts Polzahl	Mass / Dimension					
		A	B	C	D	E	F
..-Bx09-+	09	31.19	16.46	25.0 $+0.12$ -0.13	8.02	12.93	2.74
..-Bx15-+	15	39.52	24.79	33.3 $+0.15$ -0.1			2.74
..-Bx25-+	25	53.42	38.5	47.04 $+0.13$ -0.13			2.76
..-Bx37-+	37	69.7	54.96	63.5 $+0.13$ -0.13			2.76

Anforderungsstufe / Performance level ¹⁾

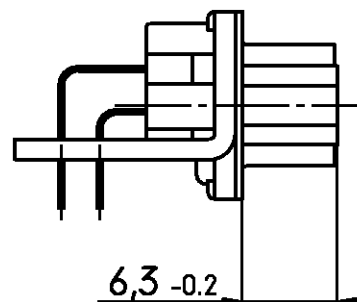
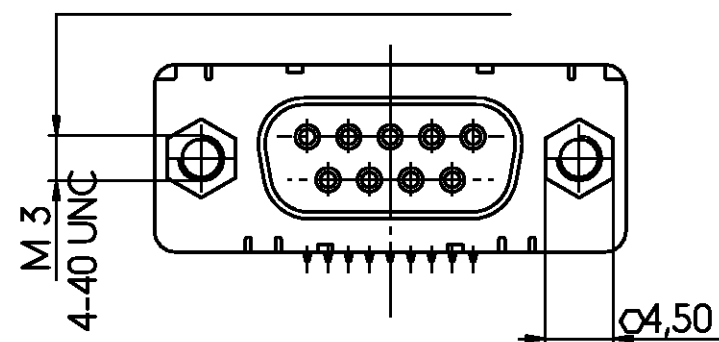
1) nach DIN 41652 T.2 und T.4
according to DIN 41652 T.2 and T.4

tyco		TYCO ELECTRONICS CORPORATION		SCALE 2:1 (20:1)		WEIGHT	
Electronics		OOSTKAMP - BELGIUM		DIMENSIONS IN MM		MATERIAL	
				DATE 29.03.89		PART NAME	
				NAME Embo		Buchsenleiste	
				DEP. PD COM		Einbauhöhe 3.6 mm (Variante 1) ¹⁾	
						Socketconnector-90° solderversion (Type 1) ¹⁾	
				TOLERANCE UNLESS SPECIFIED OTHERWISE		PART NO.	
						V23529-B*****-B***-*-7427	
REV. CHANGE ORDER		DATE		APP.		SHT. 1+	
				Customer Drawing Nr. C 1-1393480-7		OF 6	

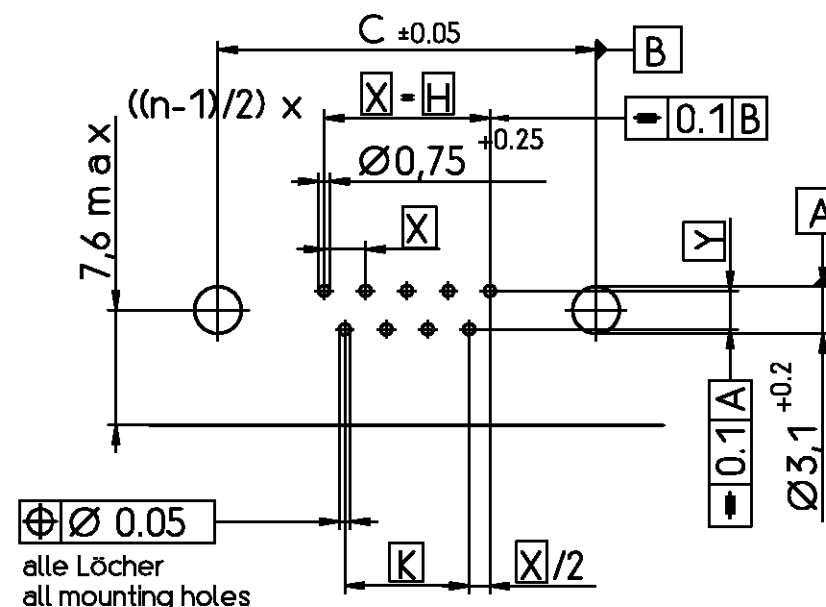
PROPRIETARY: THIS INFORMATION IS CONFIDENTIAL AND PROPRIETARY TO TYCO ELECTRONICS CORPORATION AND ITS WORLDWIDE SUBSIDIARIES AND AFFILIATES. IT MAY NOT BE DISCLOSED TO ANYONE, OTHER THAN TYCO ELECTRONICS PERSONNEL, WITHOUT WRITTEN AUTHORIZATION FROM TYCO ELECTRONICS CORPORATION, HARRISBURG PENNSYLVANIA USA

mit Gewindebolzen : M3 V23529-Bxx24-Bxxx-+
with threadlock 4-40 UNC V23529-Bxx25-Bxxx-+

Verdrehsicherheit ≥ 70 Ncm
torsionresistance

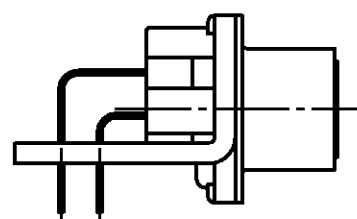
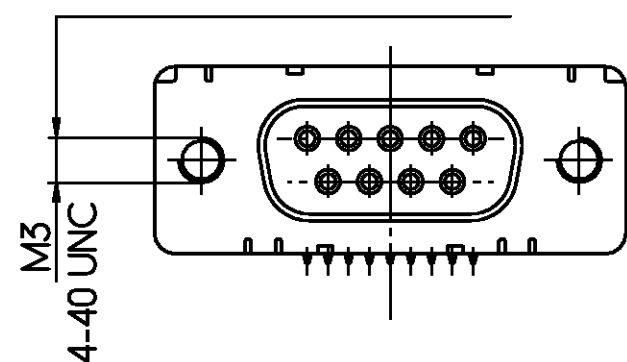


Leiterplattenbohrung
PCB hole pattern



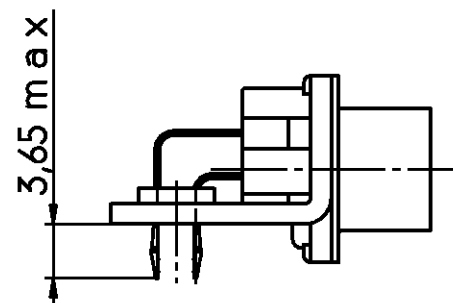
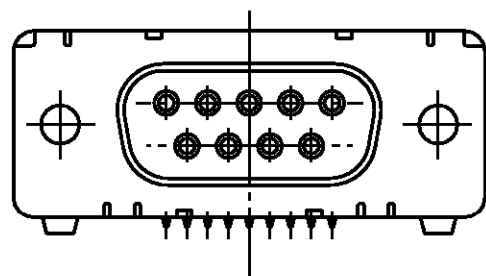
mit Gewinde : M3 V23529-Bxx22-Bxxx-+
with thread 4-40 UNC V23529-Bxx23-Bxxx-+

Verdrehsicherheit ≥ 70 Ncm
torsionresistance



Dimension	Polzahl n			
	9	15	25	37
C	25	33.3	47.04	63.5
H	10.96	19.18	33.12	49.68
K	8.22	16.44	30.36	46.92
X	2.74	2.74	2.76	2.76
Y	2.54			

mit Clipbefestigung V23529-Bx22x-Bxxx-+
with snap-in



LP-Dicke 1,6 ±0,13 mm , Loch Ø3,1^{+0.2}
PC-board-thickness 1,6 ±0,13mm , Hole Ø3,1^{+0.2}

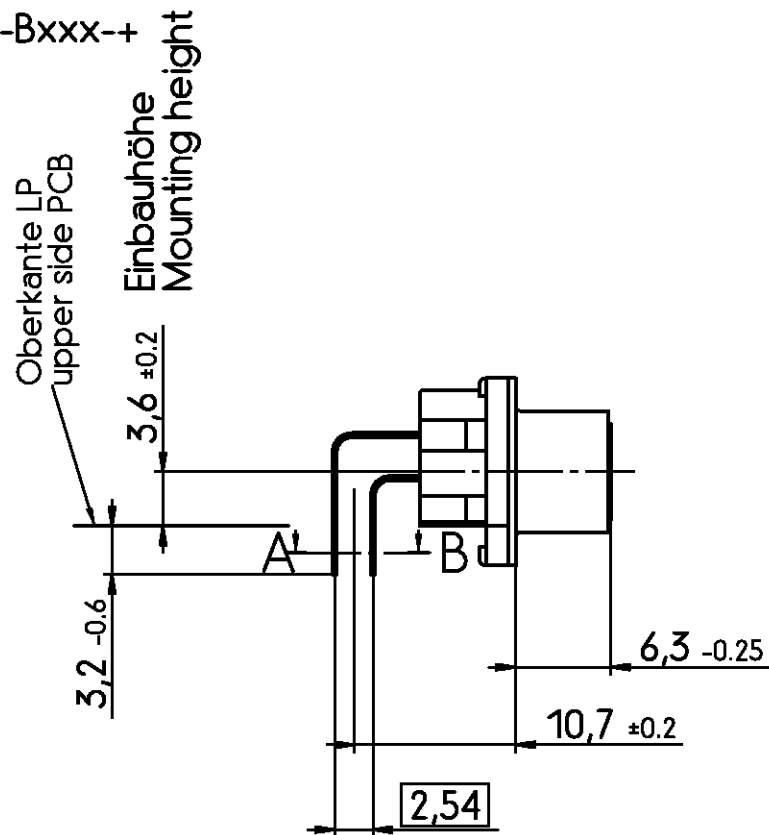
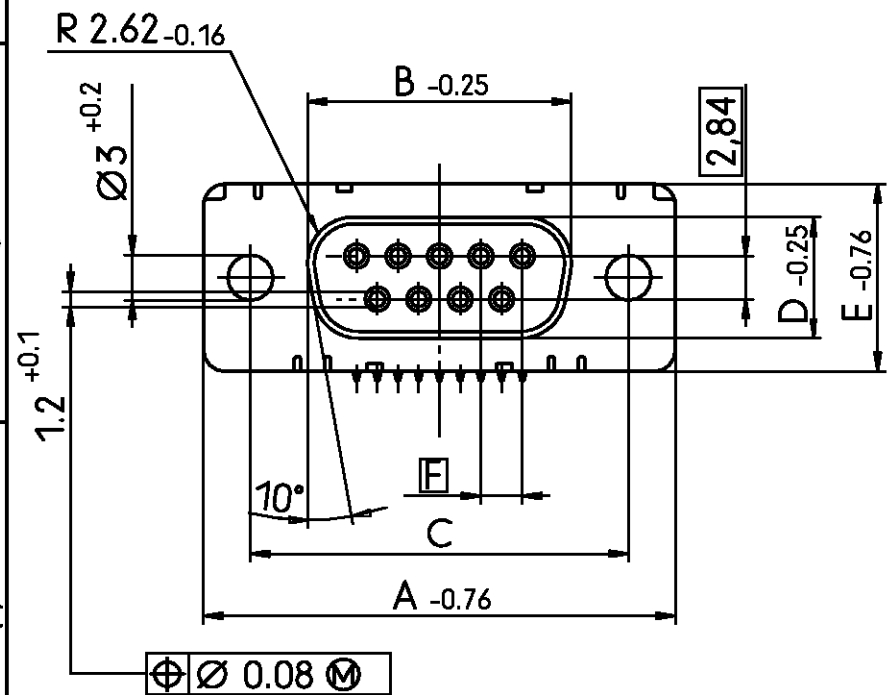
1) nach DIN 41652 T.2 und T.4
according to DIN 41652 T.2 and T.4

tyco TYCO ELECTRONICS CORPORATION		SCALE 2:1		WEIGHT
OOSTKAMP - BELGIUM		DIMENSIONS IN MM		MATERIAL
DATE 29.03.89		PART NAME		Buchsenleiste Einbauhöhe 3.6 mm (Variante 1) ¹⁾ Socketconnector-90° solder version (Type 1) ¹⁾
NAME Embo		PART NO.		
DEP. PD COM		V23529-B****-B***-*-7427		
TOLERANCE UNLESS SPECIFIED OTHERWISE		SHT. 2+		
A3 see page 1	REV. CHANGE ORDER	DATE	APP.	Customer Drawing Nr. C 1-1393480-7 OF 6

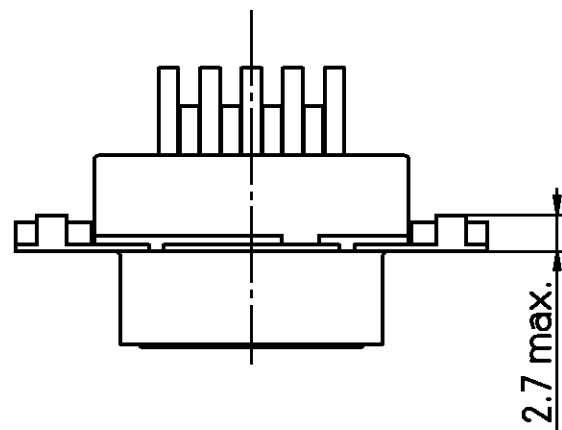
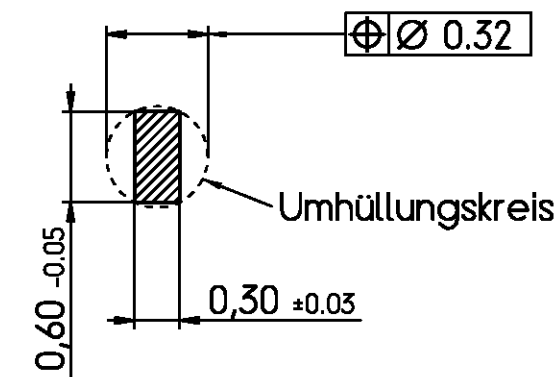
THIS INFORMATION IS CONFIDENTIAL AND PROPRIETARY TO TYCO ELECTRONICS CORPORATION AND ITS WORLDWIDE
 SUBSIDIARIES AND AFFILIATES. IT MAY NOT BE DISCLOSED TO ANYONE, OTHER THAN TYCO ELECTRONICS PERSONNEL,
 WITHOUT WRITTEN AUTHORIZATION FROM TYCO ELECTRONICS CORPORATION, HARRISBURG PENNSYLVANIA USA

PROPRIETARY:

Standardausführung ohne Winkel: V23529-B50x1-Bxxx-+
 Standardversion without bracket



Schnitt AB des Lötanschlusses
 Cross-section AB of solderpin
 (20:1)



Ordercode Sachnr	Contacts Polzahl	Mass / Dimension					
		A	B	C	D	E	F
..-Bx09-+	09	31.19	16.46	25.0 ^{+0.12} _{-0.13}	8.02	12.93	2.74
..-Bx15-+	15	39.52	24.79	33.3 ^{+0.15} _{-0.1}			2.74
..-Bx25-+	25	53.42	38.5	47.04 ^{+0.13} _{-0.13}			2.76
..-Bx37-+	37	69.7	54.96	63.5 ^{+0.13} _{-0.13}			2.76

Anforderungsstufe / Performance level ¹⁾

1) nach DIN 41652 T.2 und T.4
 according to DIN 41652 T.2 and T.4

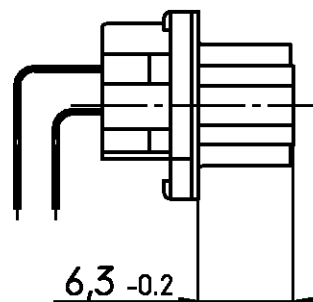
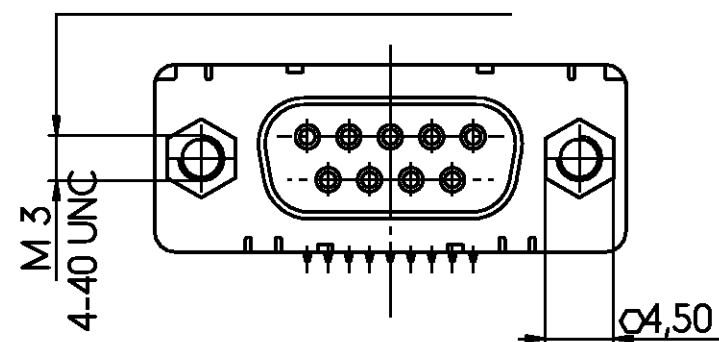
tyco		TYCO ELECTRONICS CORPORATION		SCALE 2:1 (20:1)		WEIGHT	
Electronics		OOSTKAMP - BELGIUM		DIMENSIONS IN MM		MATERIAL	
REV. A3		see page 1		DATE 29.03.89		PART NAME	
REV. CHANGE ORDER		DATE		NAME Embo		Buchsenleiste	
REV. DATE		APP.		DEP. PD COM		Einbauhöhe 3.6 mm (Variante 1) ¹⁾	
REV. DATE		APP.		TOLERANCE UNLESS SPECIFIED OTHERWISE		Socketconnector-90° solderversion (Type 1) ¹⁾	
REV. DATE		APP.		Customer Drawing Nr. C 1-1393480-7		PART NO. V23529-B*****-B***-*-7427	
REV. DATE		APP.		Customer Drawing Nr. C 1-1393480-7		SHT. 3+	
REV. DATE		APP.		Customer Drawing Nr. C 1-1393480-7		OF 6	

THIS INFORMATION IS CONFIDENTIAL AND PROPRIETARY TO TYCO ELECTRONICS CORPORATION AND ITS WORLDWIDE SUBSIDIARIES AND AFFILIATES. IT MAY NOT BE DISCLOSED TO ANYONE, OTHER THAN TYCO ELECTRONICS PERSONNEL, WITHOUT WRITTEN AUTHORIZATION FROM TYCO ELECTRONICS CORPORATION, HARRISBURG PENNSYLVANIA USA

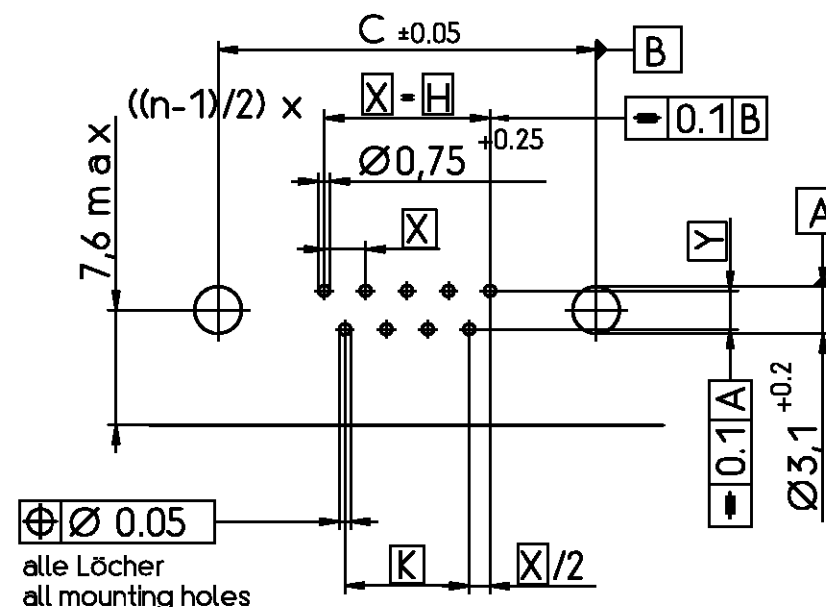
PROPRIETARY:

mit Gewindebolzen : M3 V23529-B50x4-Bxxx-+
with threadlock 4-40 UNC V23529-B50x5-Bxxx-+

Verdrehsicherheit ≥ 70 Ncm
torsionresistance

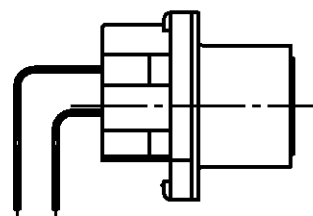
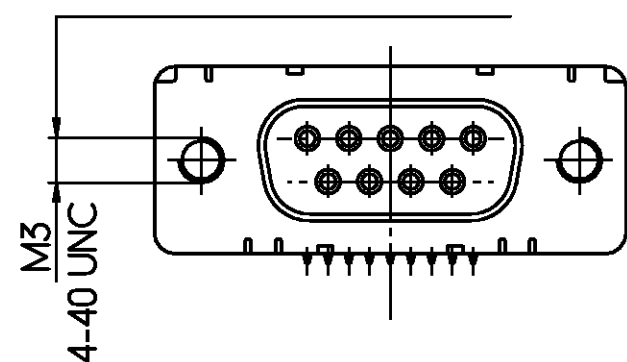


Leiterplattenbohrung
PCB hole pattern



mit Gewinde : M3 V23529-B50x2-Bxxx-+
with thread 4-40 UNC V23529-B50x3-Bxxx-+

Verdrehsicherheit ≥ 70 Ncm
torsionresistance



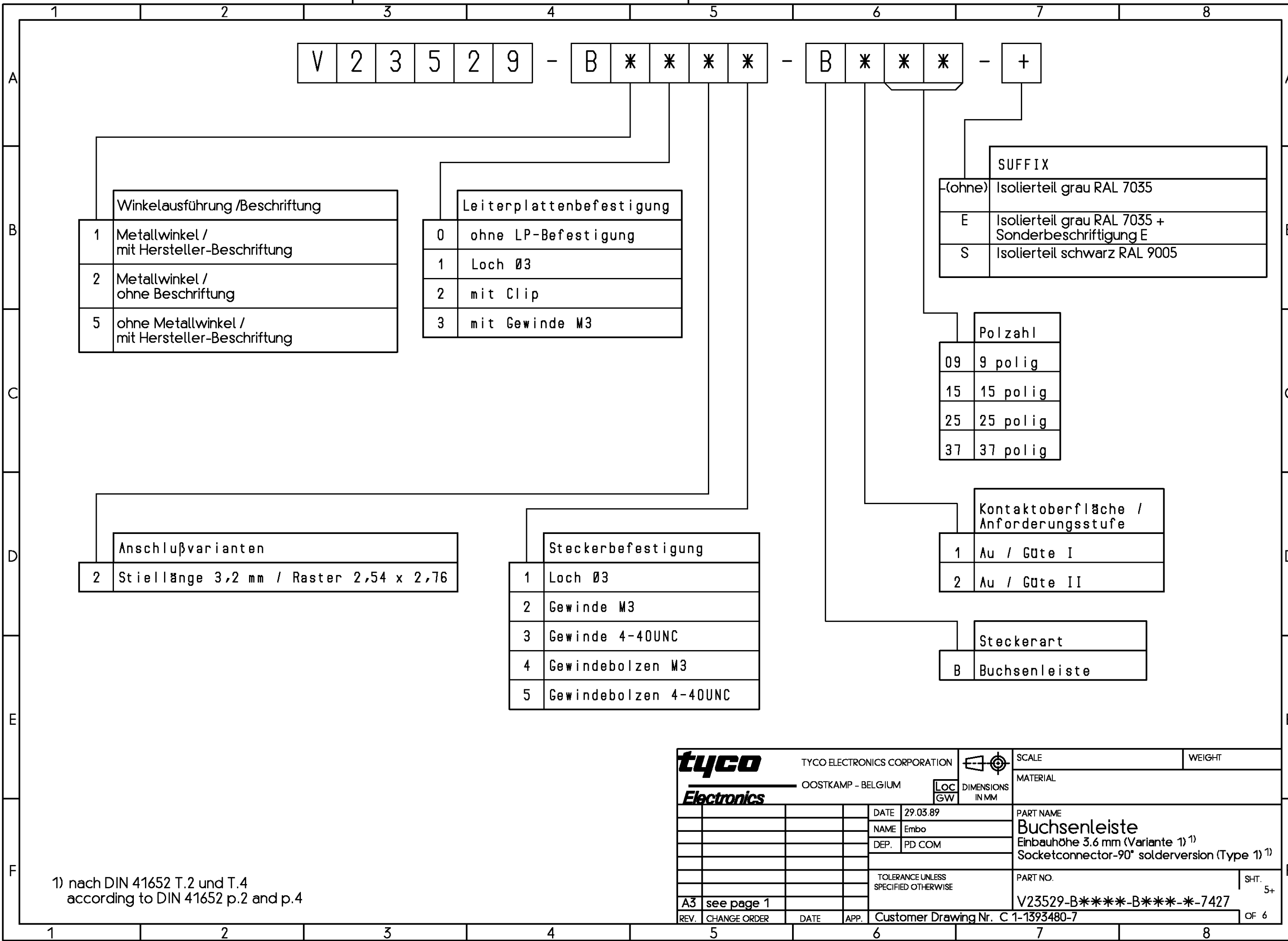
Mass Dimension	Polzahl n Number of contacts n			
	9	15	25	37
C	25	33.3	47.04	63.5
H	10.96	19.18	33.12	49.68
K	8.22	16.44	30.36	46.92
X	2.74	2.74	2.76	2.76
Y	2.54			

1) nach DIN 41652 T.2 und T.4
according to DIN 41652 T.2 and T.4

tyco TYCO ELECTRONICS CORPORATION		SCALE 2:1		WEIGHT
OOSTKAMP - BELGIUM		LOC GW	DIMENSIONS IN MM	
DATE 29.03.89		MATERIAL		
NAME Embo		PART NAME		
DEP. PD COM		Buchsenleiste		
		Einbauhöhe 3.6 mm (Variante 1) ¹⁾		
		Socketconnector-90° solderversion (Type 1) ¹⁾		
		PART NO.		SHT. 4+
		V23529-B****-B***-*-7427		
A3 see page 1	REV. CHANGE ORDER	DATE	APP.	Customer Drawing Nr. C 1-1393480-7
				OF 6

THIS INFORMATION IS CONFIDENTIAL AND PROPRIETARY TO TYCO ELECTRONICS CORPORATION AND ITS WORLDWIDE SUBSIDIARIES AND AFFILIATES. IT MAY NOT BE DISCLOSED TO ANYONE, OTHER THAN TYCO ELECTRONICS PERSONNEL, WITHOUT WRITTEN AUTHORIZATION FROM TYCO ELECTRONICS CORPORATION, HARRISBURG PENNSYLVANIA USA

PROPRIETARY:



1) nach DIN 41652 T.2 und T.4
according to DIN 41652 p.2 and p.4

tyco		TYCO ELECTRONICS CORPORATION				SCALE	WEIGHT
Electronics		OOSTKAMP - BELGIUM		Loc GW		DIMENSIONS IN MM	
DATE	29.03.89	PART NAME		Buchsleiste			
NAME	Embo	Einbauhöhe 3.6 mm (Variante 1) ¹⁾		Socketconnector-90° solder version (Type 1) ¹⁾			
DEP.	PD COM	PART NO.		V23529-B*****-B*****-7427			
TOLERANCE UNLESS SPECIFIED OTHERWISE		SHT.		5+			
A3	see page 1	Customer Drawing Nr.		C 1-1393480-7			
REV.	CHANGE ORDER	DATE	APP.	OF 6			

Active part numbers. Contact Tyco Electronics for other configuration availability

Old Part Number	Tyco Part Number
V23529-B1121-B209	1-1393480-7
V23529-B1121-B215	1-1393480-8
V23529-B1121-B225	1-1393480-9
V23529-B1121-B237	2-1393480-0
V23529-B1122-B209	2-1393480-8
V23529-B1122-B215	2-1393480-9
V23529-B1122-B225	3-1393480-0
V23529-B1122-B237	3-1392010-8
V23529-B1123-B109	3-1393480-4
V23529-B1123-B209	3-1393480-6
V23529-B1123-B215	3-1393480-7
V23529-B1123-B225	3-1393480-8
V23529-B1123-B237	3-1393480-9
V23529-B1125-B209	4-1393480-7
V23529-B1125-B215	4-1393480-8
V23529-B1125-B225	4-1393480-9
V23529-B1125-B237	5-1393480-0
V23529-B1221-B209	5-1393480-5
V23529-B1221-B215	5-1393480-6
V23529-B1221-B225	5-1393480-7
V23529-B1222-B109	6-1393480-4
V23529-B1222-B115	6-1393480-5
V23529-B1222-B125	6-1393480-6
V23529-B1222-B209	6-1393480-7
V23529-B1222-B215	6-1393480-8
V23529-B1222-B225	6-1393480-9
V23529-B1222-B237	7-1393480-0
V23529-B1223-B109	7-1393480-8
V23529-B1223-B115	7-1393480-9
V23529-B1223-B125	8-1393480-0
V23529-B1223-B209	8-1393480-1
V23529-B1223-B215	8-1393480-2
V23529-B1223-B225	8-1393480-3
V23529-B1223-B237	8-1393480-4
V23529-B1224-B209	9-1393480-0
V23529-B1224-B215	9-1393480-1
V23529-B1224-B225	9-1393480-2
V23529-B1225-B209	9-1393480-9
V23529-B1225-B215	1393481-1
V23529-B1225-B225	1393481-2
V23529-B1225-B237	3-1392010-7
V23529-B2221-B209	1-1393481-1

1) nach DIN 41652 T.2 und T.4 according to DIN 41652 p.2 and p.4

THIS INFORMATION IS CONFIDENTIAL AND PROPRIETARY TO TYCO ELECTRONICS CORPORATION AND ITS WORLDWIDE SUBSIDIARIES AND AFFILIATES. IT MAY NOT BE DISCLOSED TO ANYONE, OTHER THAN TYCO ELECTRONICS PERSONEL, WITHOUT WRITTEN AUTHORIZATION FROM TYCO ELECTRONICS CORPORATION, HARRISBURG, PENNSYLVANIA USA.

PROPRIETARY:

tyco Tyco Electronics Corporation		SCALE	WEIGHT
Oostkamp - Belgium		MATERIAL	
DATE: 29.03.89	LOC: DIMENSIONS IN MM	PART NAME	
NAME: Embo		Buchsenleiste	
DEP.: PD COM		Einbauhöhe 3.6 mm (Variante 1) 1)	
		Socketconnector-90° solderversion (Type 1) 1)	
	TOLERANCE UNLESS SPECIFIED OTHERWISE	PART NO.	SHT. 6-
		V23529-B***-B***-*-7427	
A3 see page 1			
REV. CHANGE ORDER	DATE	APP.	OF 6
1		Customer Drawing Nr. C 1-1393480-7	4
	2		3
			4