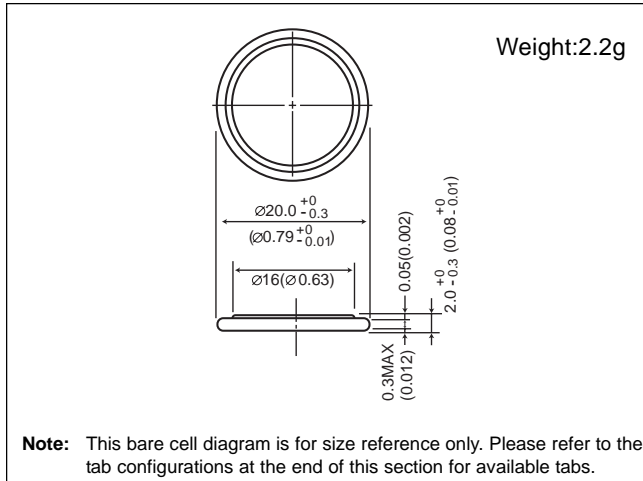


Vanadium Pentoxide Lithium Coin Batteries (VL Series): Individual Specifications

VL2020

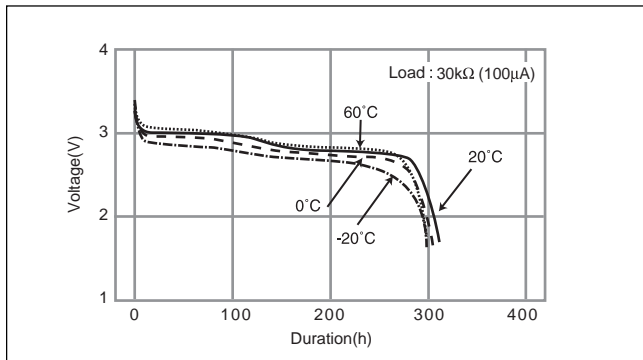
■ Dimensions(mm)



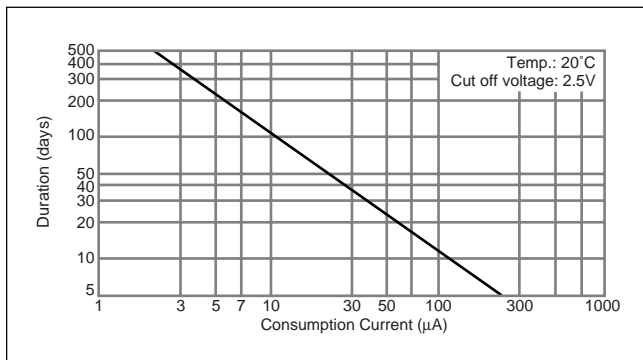
■ Specification

Nominal voltage (V)	3
Nominal capacity (mAh)	20.0
Continuous standard load (mA)	0.07
Operating temperature (C)	-20 ~ +60

■ Discharge Temperature Characteristics

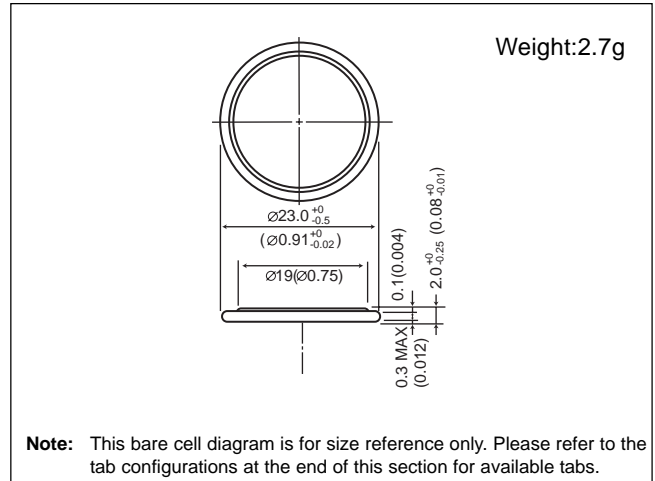


■ Consumption current vs. Duration time



VL2320

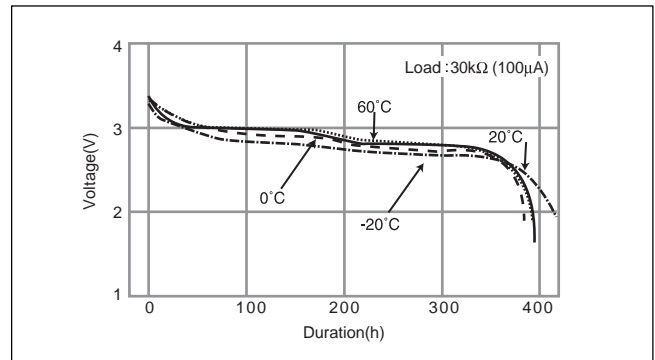
■ Dimensions(mm)



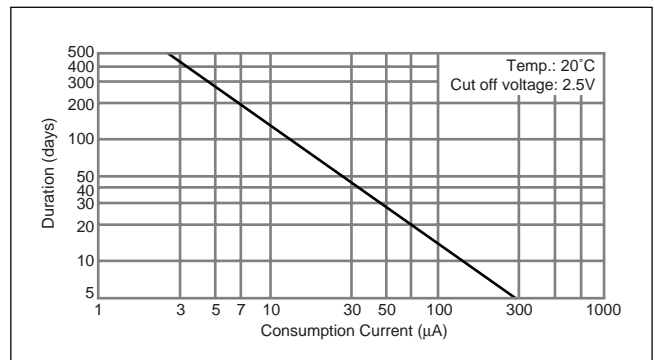
■ Specification

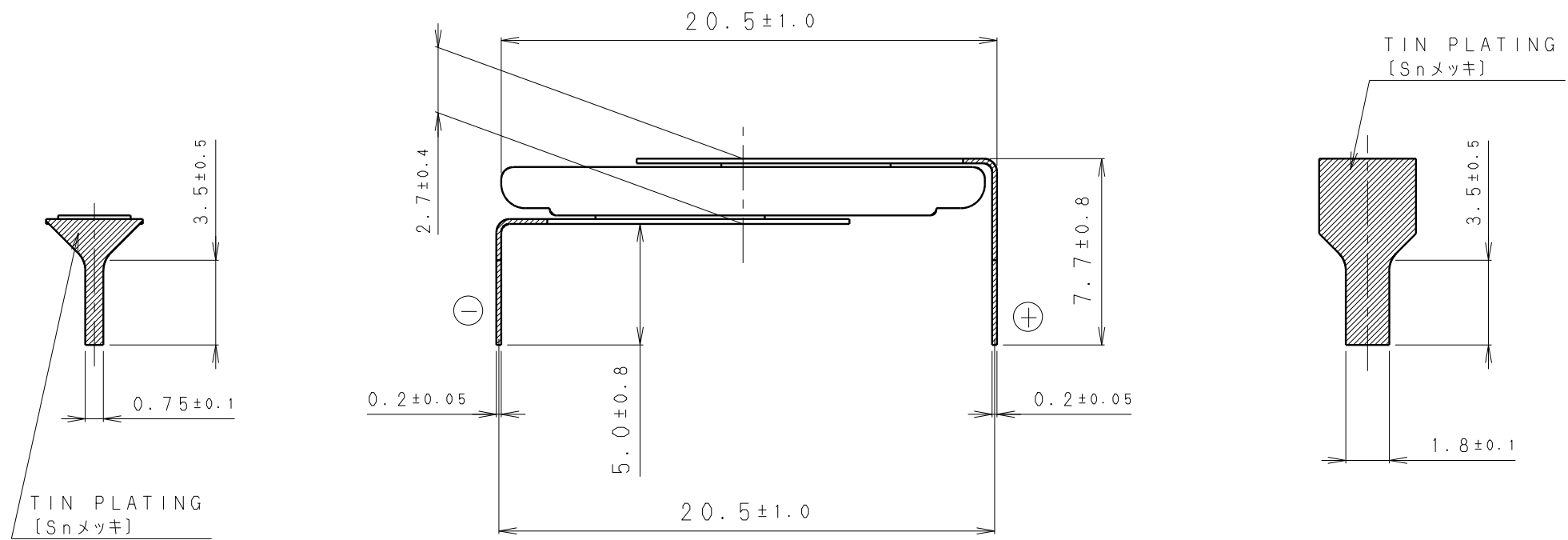
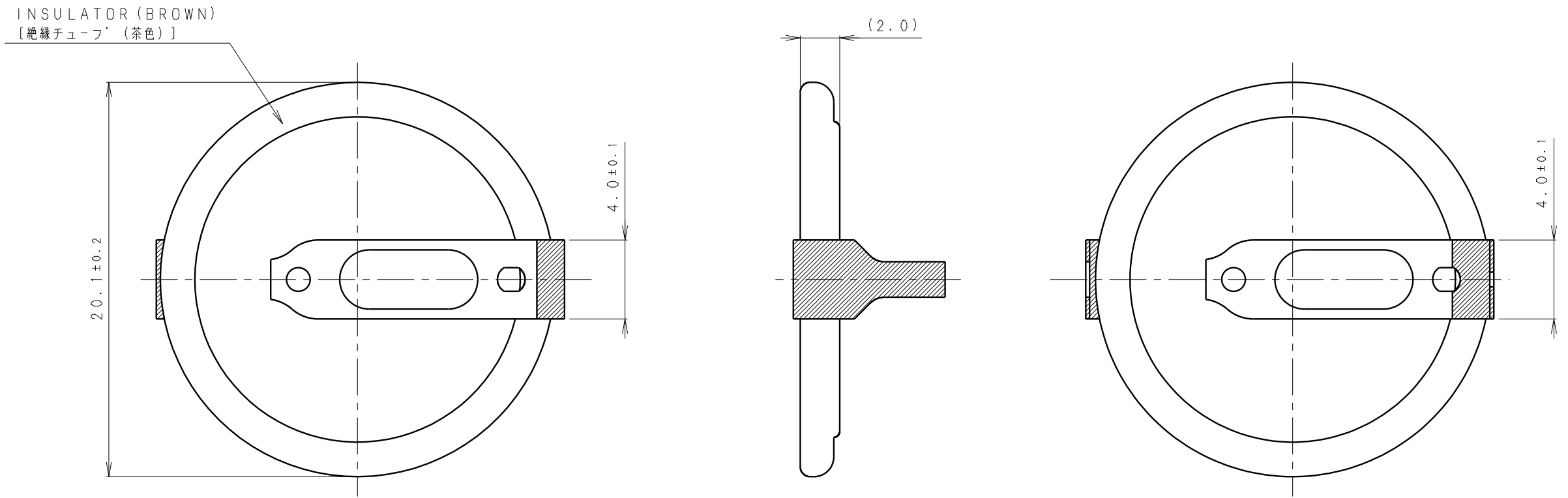
Nominal voltage (V)	3
Nominal capacity (mAh)	30.0
Continuous standard load (mA)	0.1
Operating temperature (C)	-20 ~ +60

■ Discharge Temperature Characteristics



■ Consumption current vs. Duration time





*NOTE [注記]
 1. TAB PULLING STRENGTH OVER 19.6N [端子溶接強度: 19.6N以上]
 2. TAB MATERIAL: STAINLESS STEEL WITH TIN PLATING [端子材料: 基材 ステンレス/表面 部分Snメッキ]
 3. (): REFERENCE DIMENSION AND ANGLE [() 寸法、角度は参考値]

PRODUCT NO.	VL-2020/HFN	SCALE	4:1
DRAWING NO.	PEHA1Z	REV.	0
			UNIT: mm