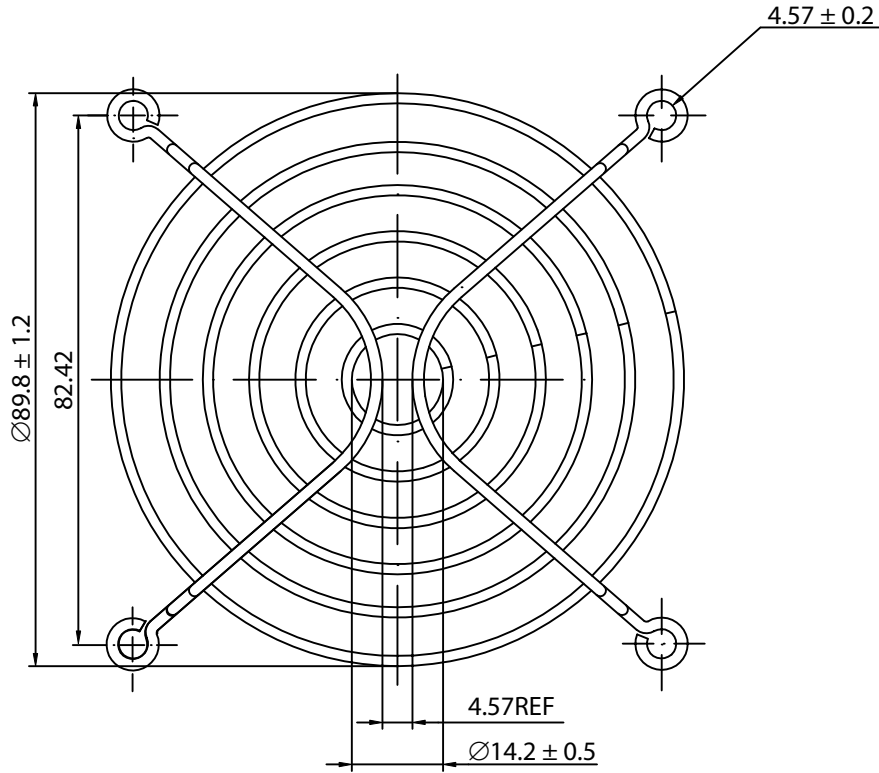


THESE DRAWINGS ARE THE PROPERTY OF QUALTEK ELECTRONICS AND NOT TO BE REPRODUCED FOR OR COMMUNICATED TO A THIRD PARTY WITHOUT THE EXPRESS WRITTEN PERMISSION OF AN OFFICER OF QUALTEK ELECTRONICS.

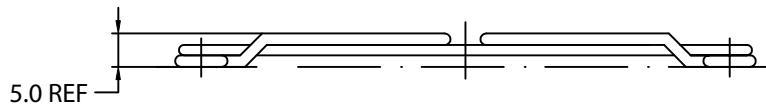
REVISION			
REV.	DESCRIPTION	DATE	APPROVED
B	RoHS Compliancy	06-01-06	DP
C	Updated Tolerances	05-29-13	LY



NOTES:

1. MATERIAL: C1008 BRIGHT BASIC WIRE
2. FINISH: BRIGHT NICKEL CHROME PLATING
3. 0.35 ± 0.05 DEPTH OF SERRATIONS ON WIRE
4. RING: $\varnothing 1.6 \pm 0.1\text{mm}$
RIB: $\varnothing 1.6 \pm 0.1\text{mm}$
5. GENERAL TOLERANCE UNLESS NOTED IS $\pm 1.0\text{mm}$
6. RoHS COMPLIANT

CONTROLLED



Dim range (mm)		Tolerance +/- (mm)		Qualtek Electronics Corp. FAN-S DIVISION		
0-5	0.1	Part Number: 08174		RoHS Compliant		
5-16	0.15	Description: WIRE FORM FAN GUARD (92mm)				
16-64	0.2			UNIT: mm	REV: C	
64-250	0.4	Drawn / Date		Checked / Date	Approved / Date	
250-1000	0.5	B. ZHANG 12-06-04		12-06-04	JH / 12-06-04	
1000-1500	1.0					