



RPS-CT

TE Internal #: EL7584-000

RPS-CT, Printable Tubing, Continuous Tubing Type, Commercial Tubing Grade, 3:1 Printable Tubing Shrink Ratio, White

[View on TE.com >](#)

Identification & Labeling > Printable Tubing > CONTINUOUS TUBE COMMERCIAL GRADE RPS-CT



Tubing Type: **Continuous**

Tubing Grade: **Commercial**

Printable Tubing Shrink Ratio: **3:1**

Color: **White**

Supplied Diameter: **4.8 mm [.187 in]**

[All CONTINUOUS TUBE COMMERCIAL GRADE RPS-CT \(15\)](#)

Features

Product Type Features

Tubing Type	Continuous
Tubing Grade	Commercial

Body Features

Printable Tubing Shrink Ratio	3:1
Color	White

Dimensions

Supplied Diameter	4.8 mm[.187 in]
Recovered Inside Diameter	1.6 mm[.062 in]
Compatible Cable Diameter	2.3 – 5.5 mm[.091 – .215 in]

Usage Conditions

Operating Temperature Range	-30 – 105 °C[-22 – 221 °F]
-----------------------------	----------------------------

Operation/Application

Recommended Ribbon	See Printer Ribbon Matrix
--------------------	---------------------------

Printer/Label Features

Recommended Printer	See Printer Ribbon Matrix
Printer Technology	Thermal Transfer



Packaging Features

Packaging Quantity	50
--------------------	----

Product Compliance

[For compliance documentation, visit the product page on TE.com>](#)

EU RoHS Directive 2011/65/EU	Compliant
EU ELV Directive 2000/53/EC	Compliant
China RoHS 2 Directive MIIT Order No 32, 2016	No Restricted Materials Above Threshold
EU REACH Regulation (EC) No. 1907/2006	Current ECHA Candidate List: JAN 2021 (211) Candidate List Declared Against: JUN 2020 (209) SVHC > Threshold: Not Yet Reviewed
Halogen Content	Not Low Halogen - contains Br or Cl > 900 ppm.
Solder Process Capability	Not applicable for solder process capability

Product Compliance Disclaimer

This information is provided based on reasonable inquiry of our suppliers and represents our current actual knowledge based on the information they provided. This information is subject to change. The part numbers that TE has identified as EU RoHS compliant have a maximum concentration of 0.1% by weight in homogenous materials for lead, hexavalent chromium, mercury, PBB, PBDE, DBP, BBP, DEHP, DIBP, and 0.01% for cadmium, or qualify for an exemption to these limits as defined in the Annexes of Directive 2011/65/EU (RoHS2). Finished electrical and electronic equipment products will be CE marked as required by Directive 2011/65/EU. Components may not be CE marked. Additionally, the part numbers that TE has identified as EU ELV compliant have a maximum concentration of 0.1% by weight in homogenous materials for lead, hexavalent chromium, and mercury, and 0.01% for cadmium, or qualify for an exemption to these limits as defined in the Annexes of Directive 2000/53/EC (ELV). Regarding the REACH Regulation, the information TE provides on SVHC in articles for this part number is based on the latest European Chemicals Agency (ECHA) 'Guidance on requirements for substances in articles' posted at this URL: <https://echa.europa.eu/guidance-documents/guidance-on-reach>

Compatible Parts



TE Part # 1-2186502-1
T3224-PRINTER



TE Part # 1-2186500-1
T3212-PRINTER



TE Part # 1-2186501-1
T3212-SWARE-PRINTER



TE Part # CP8122-000
T6112DS-PRINTER



TE Part # 1-2186503-1
T3224-SWARE-PRINTER

Also in the Series | RPS-CT

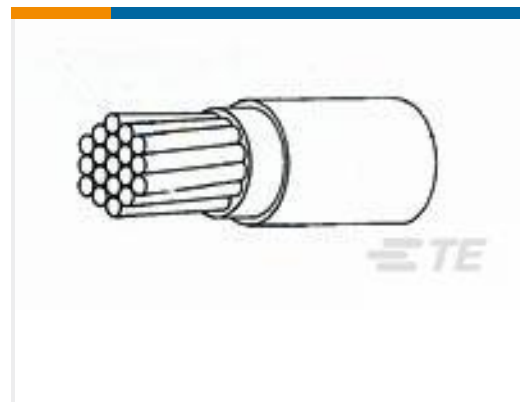


Printable Tubing(15)

Customers Also Bought



TE Part #811036-000
Heat Shrink Boot: Non Lipped, 90DEG



TE Part #792090-000
44A0111-10-0



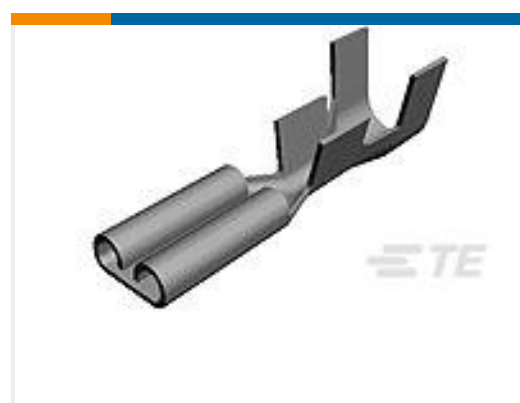
TE Part #EL7587-000
CONTINUOUS TUBE COMMERCIAL
GRADE RPS-CT



TE Part #265434-001
81044/9-10-0



TE Part #6127073002
55T9239-24-0/9-9



TE Part #41969
FASTON 250(6.3 MM) REC 22-18 AWG
TPBR



TE Part #3824513002
44A4121-20-0/9-9



TE Part #4407883001
5030A1318-9



TE Part #3194313001
55A0121-24-5/6



TE Part #253539-000
D-101-00-WOTI



Documents

Product Drawings

[RPS-CT-50M-4.8-OUT-9](#)

English

Datasheets & Catalog Pages

[RPS-CT, Continuous Commercial Grade Heat Shrinkable Identification](#)

English

Product Specifications

[RPS](#)

English

[IDENTIFICATION PRINTER PRODUCT RIBBON MATRIX](#)

English

Instruction Sheets

[Instruction Sheet \(non U.S.\)](#)

English