

Excellent Performance EMC/EMI Filter



- Superior attenuation performance
- Optional earth line choke
- Complies with IEC/EN 60601-1
- Snap-in versions (S and S1 type)
- Hot inlet versions (HI type)



Performance indicators

Attenuation performance



Technical specifications

Maximum continuous operating voltage	250 VAC, 50/60 Hz
Operating frequency	dc to 400 Hz
Rated currents	1 to 15 A @ 50°C max.
Approvals by rated current	1 to 10 A (ENEC, CQC) 1 to 15 A (UL, CSA)
High potential test voltage	P → PE 2000 VAC for 2 sec (standard types) P → PE 2500 VAC for 2 sec (B types) P → N 1000 VAC for 2 sec
Protection category	IP 40 according to IEC 60529
Temperature range (operation and storage)	-25°C to +85°C (25/85/21)
Design corresponding to	UL 1283, CSA 22.2 No. 8 1986, IEC/EN 60939
Flammability corresponding to	UL 94 V-2 or better
MTBF @ 40°C/230 V (Mil-HB-217F)	≤8 A: 2,035,000 hours ≤15 A: 1,035,000 hours

Approvals



(CQC except HI-types)

The FN 9244 IEC inlet filter combines an IEC inlet and mains filter with superior filter attenuation in a small form factor. Choosing the FN 9244 product line brings you the rapid availability of a standard filter associated with the necessary safety acceptances. Standard IEC connector filters are a practical solution helping you to pass EMI system approval in a short time. A wide selection on amperage ratings, output connections, mounting possibilities and filters for medical applications are designed to offer you the desired solution.

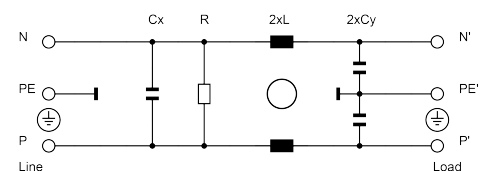
Features and benefits

- Exceptional conducted attenuation performance, based on chokes with high saturation resistance and excellent thermal behavior
- Rear/front or snap-in mounting
- Standard or wide mounting flange
- Optional medical versions (B type) comply with the requirements of IEC/EN 60601-1 for creepage and clearance, leakage current and high potential testing
- Optional earth line choke see FN 9244 E data sheet
- Custom-specific versions are available on request

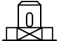
Typical applications

- Portable electrical and electronic equipment
- Small to medium-sized machines and household equipment
- Single-phase power supplies, switch-mode power supplies
- Test and measurement equipment
- Medical devices (MDD)
- In-vitro diagnostic medical devices (IVDD)
- Rack mounting equipment

Typical electrical schematic



Filter selection table

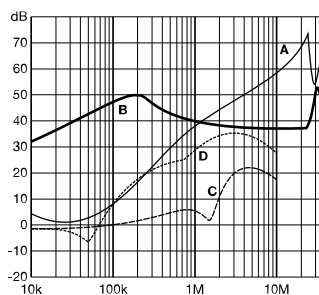
Filter	Rated current	Leakage current*	Inductance	Capacitance		Resistance	Output connections	Weight
	@ 50°C (25°C)	@ 250 VAC/50 Hz	L	Cx	Cy	R		
	[A]	[μA]	[mH]	[μF]	[nF]	[kΩ]		[g]
FN 9244 x-1-06	1 (1.2)	373	59.53	0.1	2.2		-06	38
FN 9244 x-3-06	3 (3.5)	373	13.45	0.1	2.2		-06	38
FN 9244 x-6-06	6 (7.2)	373	4.1	0.1	2.2		-06	38
FN 9244 x-8-06	8 (10.6)	373	2.3	0.1	2.2		-06	38
FN 9244 x-10-06	10 (11.6)	373	1.02	0.1	2.2		-06	38
FN 9244 x-12-06	12 (12)	373	0.58	0.1	2.2		-06	38
FN 9244 x-15-06	15 (15)	373	0.4	0.1	2.2		-06	38
FN 9244 x-12-06HI	12 (12)	373	0.58	0.1	2.2		-06	38
FN 9244 x-15-06HI	15 (15)	373	0.4	0.1	2.2		-06	38
FN 9244 xR-1-06	1 (1.2)	373	59.53	0.1	2.2	1000	-06	38
FN 9244 xR-3-06	3 (3.5)	373	13.45	0.1	2.2	1000	-06	38
FN 9244 xR-6-06	6 (7.2)	373	4.1	0.1	2.2	1000	-06	38
FN 9244 xR-8-06	8 (10.6)	373	2.3	0.1	2.2	1000	-06	38
FN 9244 xR-10-06	10 (11.6)	373	1.02	0.1	2.2	1000	-06	38
FN 9244 xR-12-06	12 (12)	373	0.58	0.1	2.2	1000	-06	38
FN 9244 xR-15-06	15 (15)	373	0.4	0.1	2.2	1000	-06	38
FN 9244 xR-12-06HI	12 (12)	373	0.58	0.1	2.2	1000	-06	38
FN 9244 xR-15-06HI	15 (15)	373	0.4	0.1	2.2	1000	-06	38
FN 9244 xB-1-06	1 (1.2)	2	59.53	0.1		1000	-06	38
FN 9244 xB-3-06	3 (3.5)	2	13.45	0.1		1000	-06	38
FN 9244 xB-6-06	6 (7.2)	2	4.1	0.1		1000	-06	38
FN 9244 xB-8-06	8 (10.6)	2	2.3	0.1		1000	-06	38
FN 9244 xB-10-06	10 (11.6)	2	1.02	0.1		1000	-06	38
FN 9244 xB-12-06	12 (12)	2	0.58	0.1		1000	-06	38
FN 9244 xB-15-06	15 (15)	2	0.4	0.1		1000	-06	38
FN 9244 xB-12-06HI	12 (12)	2	0.58	0.1		1000	-06	38
FN 9244 xB-15-06HI	15 (15)	2	0.4	0.1		1000	-06	38

* Maximum leakage under normal operating conditions. Note: if the neutral line is interrupted, worst case leakage could reach twice this level.

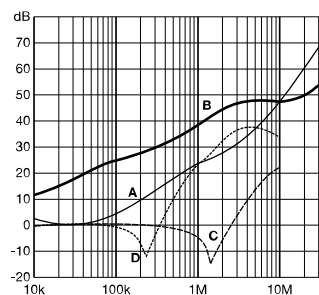
Typical filter attenuation

Per CISPR 17; A=50 Ω/50 Ω sym; B=50 Ω/50 Ω asym; C=0.1 Ω/100 Ω sym; D=100 Ω/0.1 Ω sym

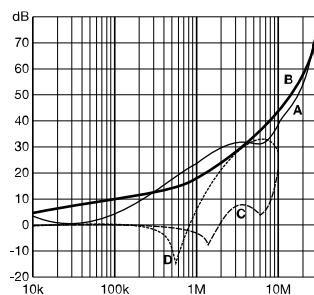
1 and 3 A types



6 to 10 A types



12 and 15 A types



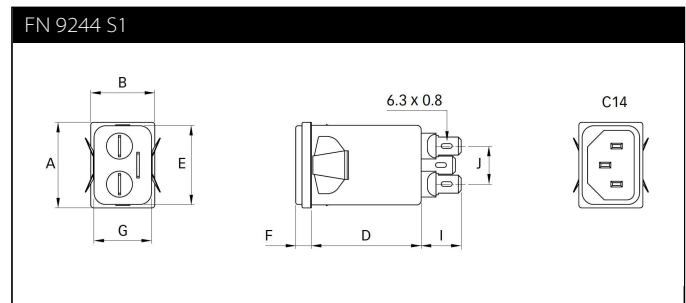
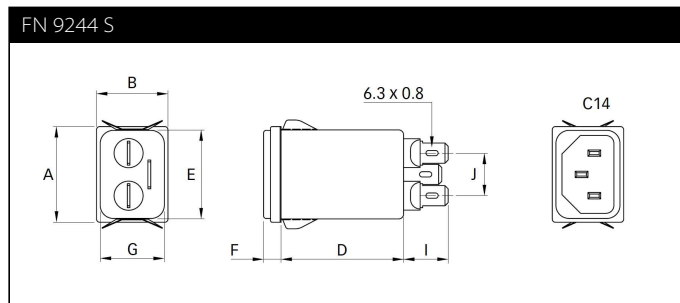
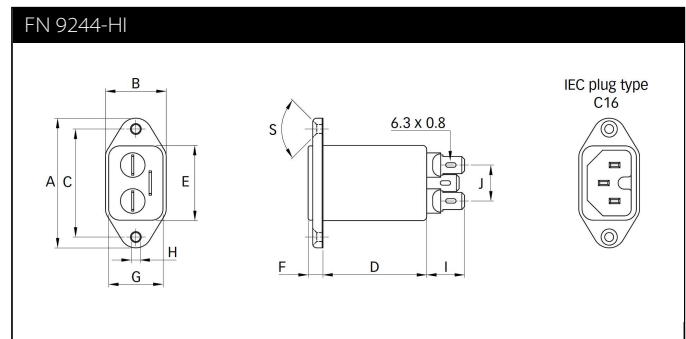
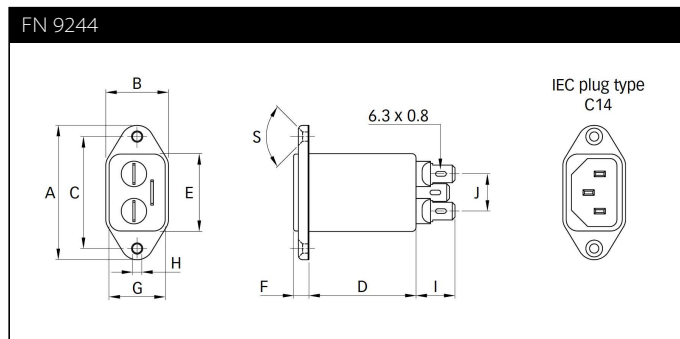
Product selector

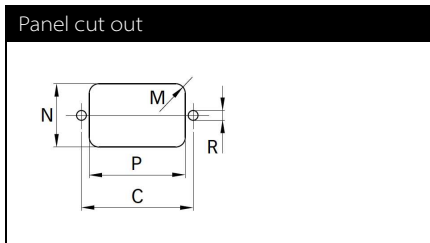
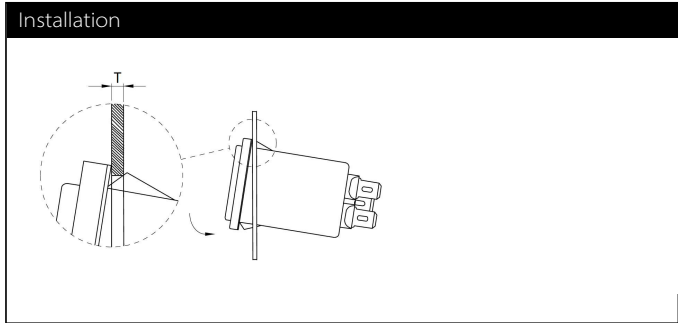
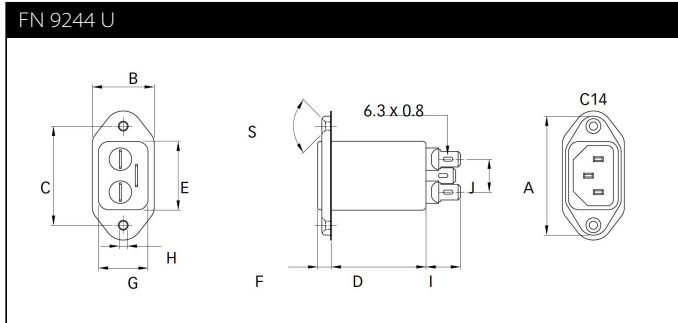
FN 9244xx-yy-...HI-zz

- Snap-in range for S version only
 - Blank: Snap-in range 0.7 to 1.5mm
 - 20: Snap-in range 1.5 to 2.2mm
- Blank: Standard IEC inlet type C14
 - HI: Hot IEC inlet type C16 (12 and 15A types only)
- 06: Faston 6.3 x 0.8mm (spade/soldering)
- 1 to 15: Rated current
- Blank: Standard version
 - R: Bleed resistor
 - B: Medical version (with bleed resistor and without Y2-capacitor)
- Blank: Standard housing with mounting flanges
 - U: Housing with wider mounting flanges
 - S: Snap-in version, snapper on vertical side
 - S1: Snap-in version, snapper on horizontal side

For example: FN 9244 B-15-06, FN 9244 S1B-10-06-20, FN 9244 R-12-06HI, FN 9244 UB-8-06

Mechanical data





Dimensions

	FN 9244	FN 9244 U	FN 92244 S	FN 92244 S1	FN 9244-HI
A	48	48	29.9	29.9	48
B	22.4	25	22.4	22.4	22.4
C	40 ±0.2	40 ±0.2			40 ±0.2
D	38.25	38.25	38.25	38.25	38.25
E	27.8	27.8	27.8	27.8	27.8
F	5.7	5.7	5.7	5.7	5.7
G	20.1	20.1	20.1	20.1	20.1
H	Ø3.3	Ø3.3			Ø3.3
I	14	14	14	14	14
J	13.3	13.3	13.3	13.3	13.3
M	R ≤3	R ≤3	R ≤1.5	R ≤1.5	R ≤3
N	21.5	21.5	20.8	21.9	21.5
P	28.5	28.5	29.4	28.5	28.5
R	M3	M3			M3
S	90°	90°			90°
T*			0.7-1.5	0.7-1.5	
T*			1.5-2.2	1.5-2.2	

* For selecting the panel thickness, please refer to the filter selector table.

All dimensions in mm; 1 inch = 25.4 mm
Tolerances according: ISO 2768-m/EN 22768-m

Please visit www.schaffner.com to find more details on connectors.



Headquarters, global innovation and development

Switzerland

Schaffner Group

Nordstrasse 11
4542 Luterbach
T +41 32 681 66 26
F +41 32 681 66 30
info@schaffner.com
<http://www.schaffner.com>



Sales and application centers

China

Schaffner EMC Ltd. Shanghai

T20-3 C, No 565 Chuangye Road,
Pudong district
201201 Shanghai
T +86 21 3813 9500
cschina@schaffner.com
<http://www.schaffner.com.cn>

Finland

Schaffner Oy

Sauvonrinne 19 H
08500 Lohja
T +358 50 468 7284
finlandsales@schaffner.com

France

Schaffner EMC S.A.S.

16-20 Rue Louis Rameau
95875 Bezons
T +33 1 34 34 30 60
F +33 1 39 47 02 28
francesales@schaffner.com

Germany

Schaffner Deutschland GmbH

Schoemperlenstrasse 12B
76185 Karlsruhe
T +49 721 56910
F +49 721 569110
germanysales@schaffner.com

India

Schaffner India Pvt. Ltd

Unit 59, Level, Mfar Greenheart 7
Manyata Tech Park, Hebbal Outer Ring Road
560045 Bangalore
T +91 80 6781 9805
F +91 80 6781 9998
indiasales@schaffner.com

Italy

Schaffner EMC S.r.l.

Via Galileo Galilei 47
20092 Cinisello Balsamo (MI)
T +39 02 66 04 30 45 /47
F +39 02 61 23 943
italysales@schaffner.com

Japan

Schaffner EMC K.K.

1-32-12, Kamiyama, Setagaya-ku
7F Mitsui-seimei Sangenjaya Bldg.
154-0011 Tokyo
T +81 3 5712 3650
F +81 3 5712 3651
japansales@schaffner.com
<http://www.schaffner.jp>

Singapore

Schaffner EMC Pte Ltd.

#05-09, Kg Ubi Ind. Estate
408705 Singapore
T +65 6377 3283
F +65 6377 3281
singaporesales@schaffner.com

Spain

Schaffner EMC España

Calle Caléndula 93, Miniparc III, Edificio E
El Soto de Moraleja, Alcobendas
28109 Madrid
T +34 917 912 900
F +34 917 912 901
spainsales@schaffner.com

Sweden

Schaffner EMC AB

Tegeluddsvägen 76, 2tr
115 28 Stockholm
T +46 8 5050 2425
swedensales@schaffner.com
<http://www.schaffner.com>

Switzerland

Schaffner EMV AG

Nordstrasse 11
4542 Luterbach
T +41 32 681 66 26
switzerlandsales@schaffner.com

Taiwan R.O.C.

Schaffner EMV Ltd.

20 Floor-2, No 97, Section 1, XinTai 5th Road
22175 XiZhi District New Taipei City 22175
T +886 2 2697 5500
F +886 2 2697 5533
taiwansales@schaffner.com
<http://www.schaffner.tw>

Thailand

Schaffner EMC Co. Ltd.

Northern Region Industrial Estate
67 Moo 4 Tambon Ban Klang
Amphur Muangng P.O. Box 14
51000 Lamphun
T +66 53 58 11 04
F +66 53 58 10 19
thailandsales@schaffner.com

United Kingdom

Schaffner Ltd.

5 Ashville Way, Molly Millars Lane
Wokingham
RG41 2PL Berkshire
T +44 118 9770070
F +44 118 9792969
uksales@schaffner.com

USA

Schaffner EMC Inc.

52 Mayfield Avenue
08837 Edison, New Jersey
T +1 800 367 5566
T +1 732 225 9533
F +1 732 225 4789
usasales@schaffner.com
<http://www.schaffnerusa.com>

Schaffner North America

6722 Thirlane Road
24019 Roanoke, Virginia
T +1 276 228 7943
F +1 276 228 7953

Schaffner North America

823 Fairview Road
24382 Wytheville, Virginia
T +1 276 228 7943
F +1 276 228 7258

To find your local partner within Schaffner's global network: www.schaffner.com

© 2016 Schaffner Group

The content of this document has been carefully checked and understood. However, neither Schaffner nor its subsidiaries assume any liability whatsoever for any errors or inaccuracies of this document and the consequences thereof. Published specifications are subject to change without notice. Product suitability for any area of application must ultimately be determined by the customer. In all cases, products must never be operated outside their published specifications. Schaffner does not guarantee the availability of all published products. This disclaimer shall be governed by substantive Swiss law and resulting disputes shall be settled by the courts at the place of business of Schaffner Holding AG. Latest publications and a complete disclaimer can be downloaded from the Schaffner website. All trademarks recognized.