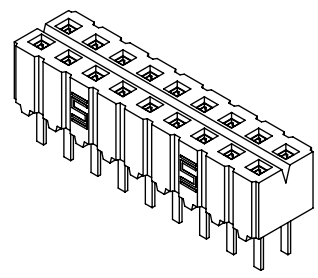


**REVISION Y**

**NOTES:**

1.  $\text{\textcircled{C}}$  REPRESENTS A CRITICAL DIMENSION.
2. MIN CONTACT RETENTION: 2 LBS EXCEPT ON POSITIONS NEXT TO CUT, THEN 1 LBS MIN.
3. MAX ALLOWABLE BOW: .006 [.15] IN/IN.
4. "END WALLS" AFTER CUTTING SHOULD BE  $.015 \pm_{.005}^{.001}$   $[\text{.38} \pm_{.13}^{.03}]$ .
5. MAX CUT FLASH: .015 [.38] - NO FLASH ALLOWED IN HOLES.
6. MAX TERMINAL BURR: .003 [.08].

DO NOT SCALE FROM THIS PRINT

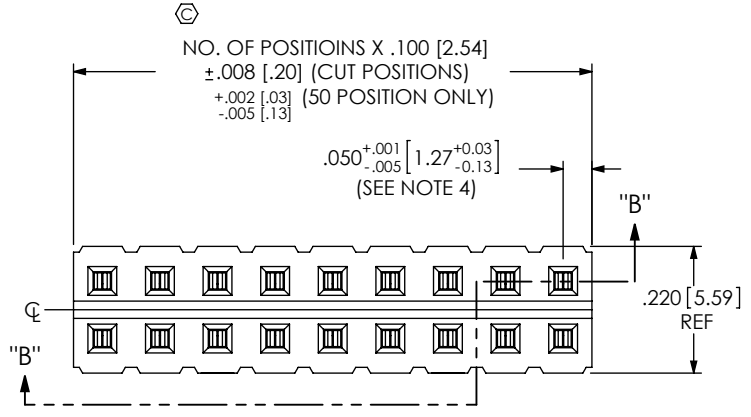


**CES-1XX-XX-X-D**

**No OF POSITIONS**  
-01 THRU -50

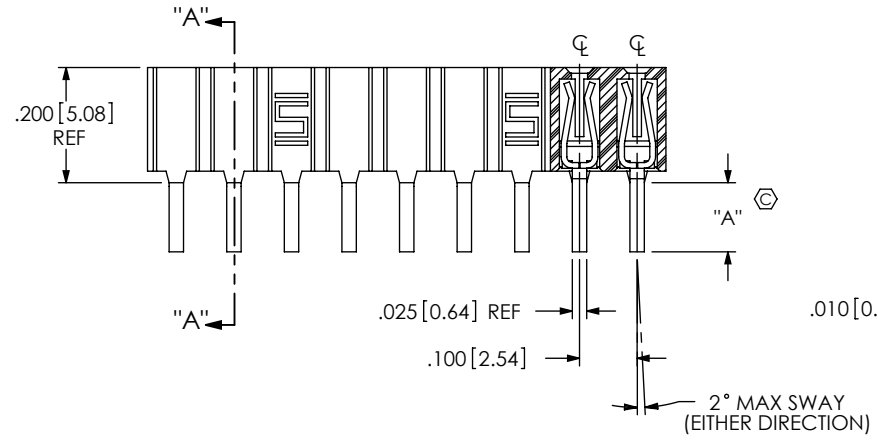
**CONTACT LEAD STYLE**  
-01: USE C-45-01-X  
-02: USE C-45-02-X

**ROW SPECIFICATION**  
-D: DOUBLE (USE CES-XX-D)

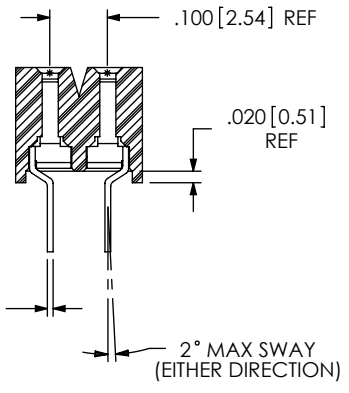


**PLATING SPECIFICATION**

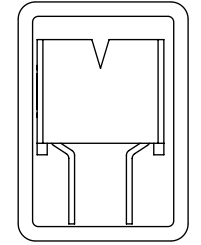
- T: MATTE TIN, CONTACT AND TAIL
- G:  $10\mu$ " GOLD IN CONTACT AREA,  $3\mu$ " GOLD ON TAIL
- S:  $30\mu$ " SELECTIVE GOLD IN CONTACT AREA, MATTE TIN ON TAIL
- F:  $3\mu$ " SELECTIVE GOLD IN CONTACT AREA, MATTE TIN ON TAIL
- L:  $10\mu$ " SELECTIVE GOLD IN CONTACT AREA, MATTE TIN ON TAIL



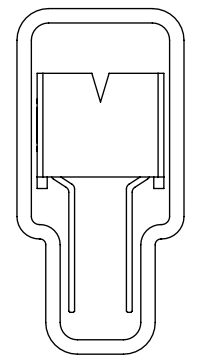
SECTION "B"-"B"



SECTION "A"-"A"



PACKAGING VIEW LEAD STYLE -01



PACKAGING VIEW LEAD STYLE -02

PACKAGING TABLE (5 POS MIN)

LEAD STYLE	TUBE	PLUG
-01	PT-1-24-01-95	TP-09
-02	PT-1-24-02-53	TP-09

TABLE 1

STYLE	"A"
-01	$.128 \pm_{.002}^{.004}$ $[3.25 \pm_{.05}^{.10}]$
-02	$.223$ [5.66]

UNLESS OTHERWISE SPECIFIED, DIMENSIONS ARE IN INCHES. TOLERANCES ARE:

DECIMALS ANGLES

.XX:  $\pm .01$  [.3] 2°

.XXX:  $\pm .005$  [.13]

.XXXX:  $\pm .0020$  [.051]

**PROPRIETARY NOTE**

THIS DOCUMENT CONTAINS INFORMATION CONFIDENTIAL AND PROPRIETARY TO SAMTEC, INC. AND SHALL NOT BE REPRODUCED OR TRANSFERRED TO OTHER DOCUMENTS OR DISCLOSED TO OTHERS OR USED FOR ANY PURPOSE OTHER THAN THAT WHICH IT WAS OBTAINED WITHOUT THE EXPRESSED WRITTEN CONSENT OF SAMTEC, INC.

**MATERIAL:** DO NOT SCALE DRAWING SHEET SCALE: 3:1

INSULATOR: PBT, UL 94 VO

COLOR: BLACK

TERMINAL: PHOS BRONZE

**samtec**

520 PARK EAST BLVD, NEW ALBANY, IN 47150  
PHONE: 812-944-6733 FAX: 812-948-5047  
e-Mail: info@SAMTEC.com code 55322

DESCRIPTION: CLOSED ENTRY SOCKET STRIP DOUBLE ROW ASSEMBLY

DWG. NO. **CES-1XX-XX-X-D**

BY: REIDINGER 9-9-92 SHEET 1 OF 1