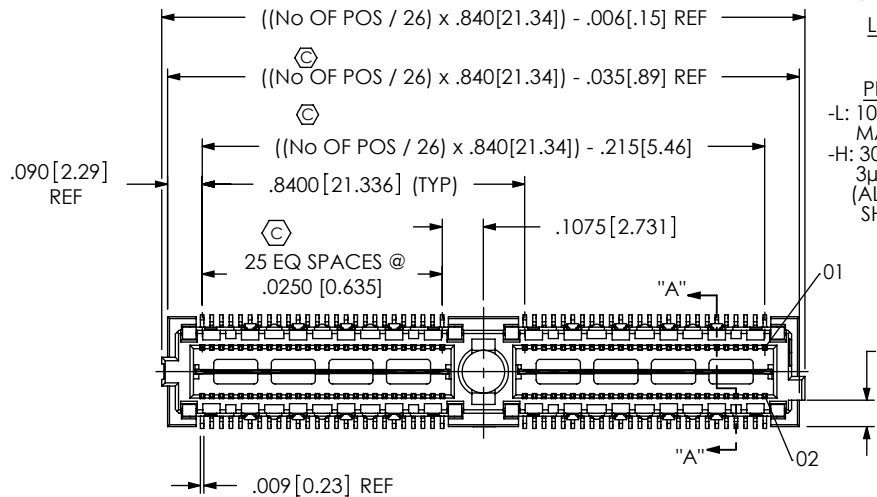


DO NOT SCALE FROM THIS PRINT

QMSS-XXX-XX.XX-X-D-X-XXX-XX



No OF POSITIONS

-026, -052, -078,
-104, *-130
(PER ROW)

LEAD STYLE (SEE NOTE 9)

-06.75 (SEE FIG 1)

PLATING SPECIFICATION

-L: 10μ" LIGHT GOLD IN CONTACT AREA,
MATTE TIN ON TAIL (USE T-1M19-06.75-L)
-H: 30μ" HEAVY GOLD IN CONTACT AREA,
3μ" GOLD ON TAIL (USE T-1M19-06.75-H)
(ALL PLATING STYLES USE
SH1-XX-L & T-1G19-06.75-L)

ROW SPECIFICATION

-D: DOUBLE

OPTION

***-A: ALIGNMENT PIN

PACKAGING OPTION

-TR: TAPE & REEL PACKAGING
(-026 THRU -078 WITHOUT OPTIONS -GP OR -PXX,
-026 THRU -052 WITH OPTIONS -GP OR -PXX)

OPTION

*** -GP: GUIDE POSTS
(SEE FIG 3, SHEET 2)
[NOT AVAILABLE WITH -PCX]
*** -K: KAPTON PAD
(SEE FIG 2, SHEET 2)
-PC4: POWER COMBO 4 (.062" THICK BOARD)
(SEE FIG 5, SHEET 3)(USE T-1M27-01-S)
-PC8: POWER COMBO 8 (.062" THICK BOARD)
(SEE FIG 5, SHEET 3)(USE T-1M27-01-S)
-PT4: POWER COMBO 4 (.093" THICK BOARD)
(SEE FIG 5, SHEET 3)(USE T-1M27-03-S)
-PT8: POWER COMBO 8 (.093" THICK BOARD)
(SEE FIG 5, SHEET 3)(USE T-1M27-03-S)

**[-PXX NOT AVAILABLE WITH -GP, -A OR -K]
[-PXX AVAILABLE ON POSITIONS
-026, -052 & -078 ONLY AND ON
LEAD STYLE -06.75 ONLY]**

* = NOT TOOLED

*** = NOT AVAILABLE WITH PXX OPTION

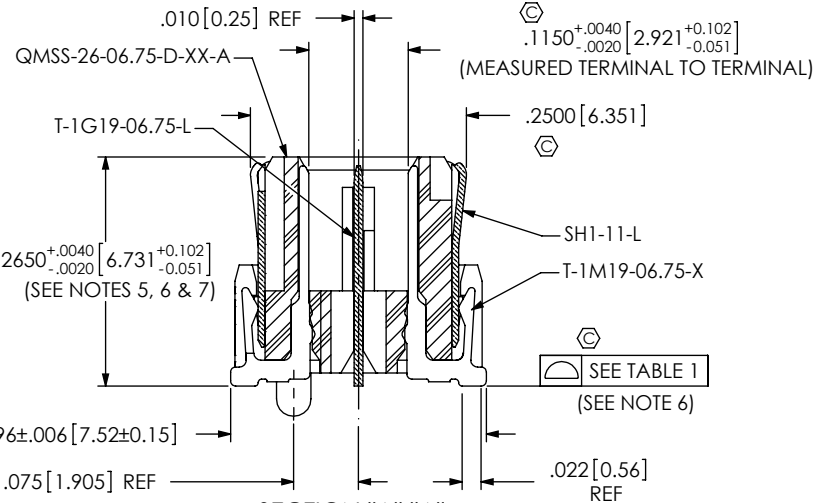
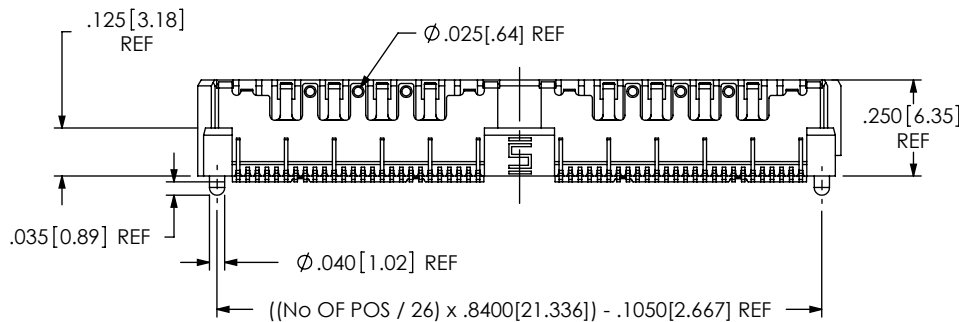


FIG 1

-06.75 LEAD STYLE
(QMSS-052-06.75-X-D-A SHOWN)
(MATED HEIGHT WITH QFSS-04.25: $.433[11.00]$ REF)

SECTION "A"- "A"
SCALE 4.5 : 1

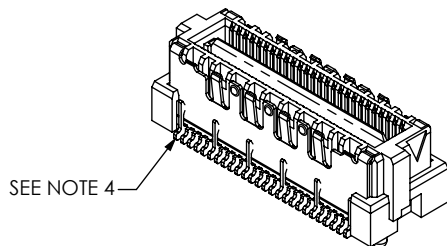
TABLE 1

No OF POSITIONS	No OF BANKS	COPLANARITY
-026	01	.004[.10]
-052 THRU -130	2 THRU 5	.006[.15]

NOTES:

- ⊙ REPRESENTS A CRITICAL DIMENSION.
- BURR ALLOWANCE: .0015 MAX.
- MINIMUM PUSHOUT FORCE: SIGNAL: .5 LB, SHIELD/GROUND: 1 LB, POWER: .5 LB.
- TERMINALS IN THE FIRST ROW OF EACH BANK AND EVERY FIFTH ROW AFTER THAT WILL NOT BE SHEARED.
- MAX VARIANCE OF .002.
- DIMENSION APPLIES TO CONTACTS & GROUND PLANE.
- GROUND PLANE PRESS HEIGHT MUST BE $.003[.08]$ LESS THAN THE MAX HEIGHT OR $.001[.03]$ GREATER THAN THE MINIMUM HEIGHT OF THE TERMINALS.
- PARTS TO BE PACKAGED IN TRAYS AS STANDARD.
- LEADSTYLE -11 MAY BE SUBSTITUTED IN PART CALLOUT FOR -06.75 FOR EXISTING CUSTOMERS ONLY

SEE NOTE 4



PATENT NUMBERS
6739884/ 7165994
7121849

UNLESS OTHERWISE SPECIFIED,
DIMENSIONS ARE IN INCHES.

TOLERANCES ARE:

DECIMALS ANGLES
.XX: $\pm .01[.3]$ 2°
.XXX: $\pm .005[.13]$
.XXXX: $\pm .0020[.051]$

PROPRIETARY NOTE

THIS DOCUMENT CONTAINS INFORMATION CONFIDENTIAL AND PROPRIETARY TO SAMTEC, INC. AND SHALL NOT BE REPRODUCED OR TRANSFERRED TO OTHER DOCUMENTS OR DISCLOSED TO OTHERS OR USED FOR ANY PURPOSE OTHER THAN THAT WHICH IT WAS OBTAINED WITHOUT THE EXPRESSED WRITTEN CONSENT OF SAMTEC, INC.

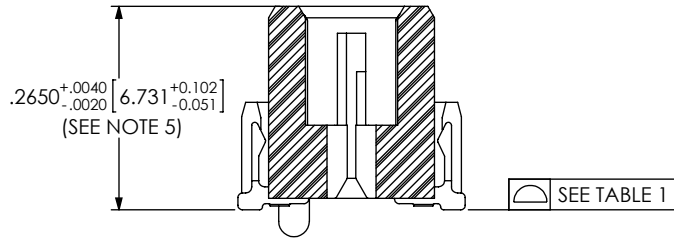
MATERIAL: DO NOT SCALE DRAWING SHEET SCALE: 2:1
INSULATOR: LCP, COLOR: BLACK
TERMINAL, GROUND PLANE,
& SHIELD: PHOS BRONZE

DESCRIPTION:
.635mm DOUBLE ROW SHIELDED TERMINAL STRIP

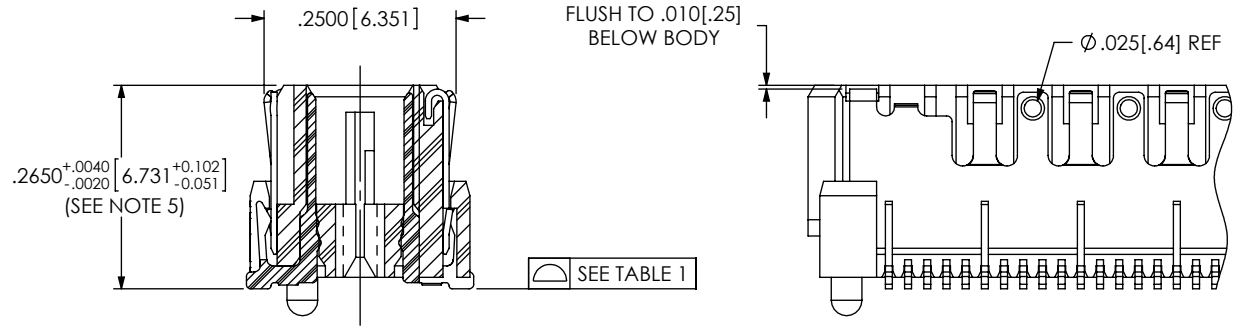
DWG. NO.
QMSS-XXX-XX.XX-X-D-X-XXX-XX

BY: CHAD F 05/23/2002 SHEET 1 OF 3

IN-PROCESS 1



IN-PROCESS 2



TERMINAL DETAILS

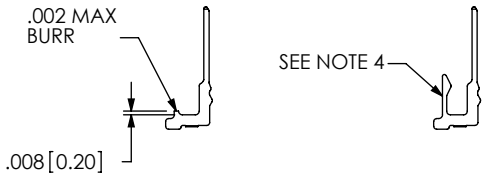
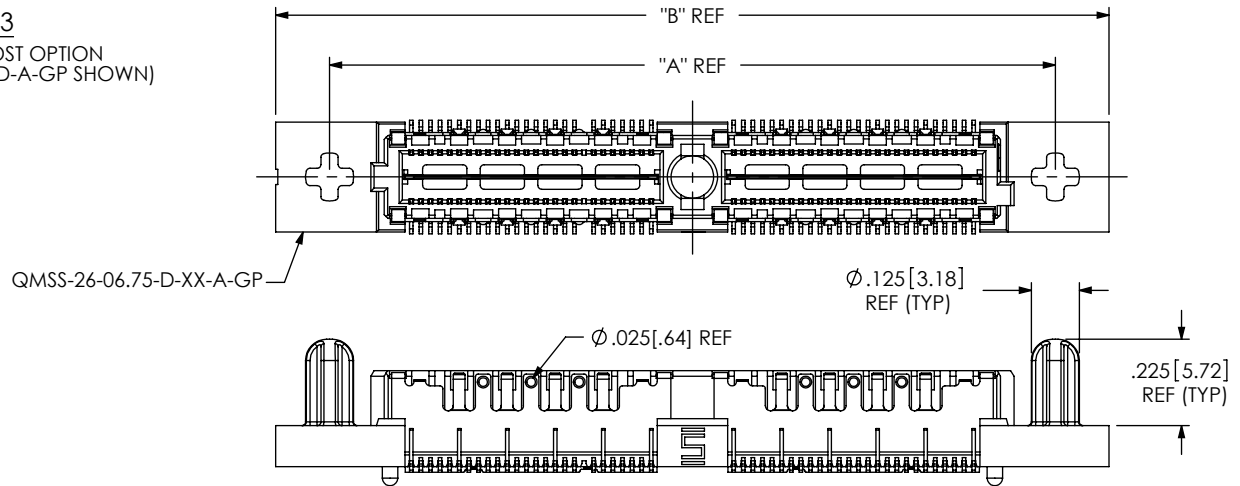


FIG 3

-GP: GUIDE POST OPTION
(QMSS-052-06.75-X-D-A-GP SHOWN)



☒

FIG 2

-K: KAPTON PAD OPTION (USE K-500-300)
(USE K-DOT-.217-.313-.005 FOR -GP OPTION, NOT APPROVED FOR VISION INTEGRATED KAPTON APPLICATION)
(QMSS-026-06.75-X-D-A-K SHOWN)

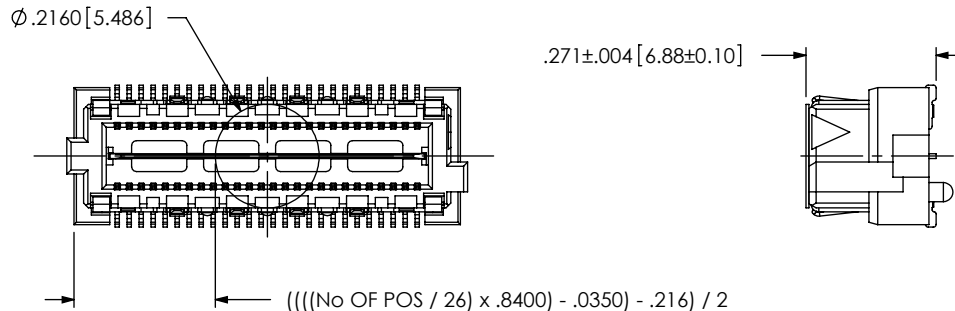


TABLE 2

ASSEMBLY	"A"	"B"
QMSS-026-06.75-X-D-GP	1.050[26.67]	1.330[33.78]
QMSS-052-06.75-X-D-GP	1.890[48.00]	2.170[55.12]
QMSS-078-06.75-X-D-GP	2.730[69.34]	3.010[76.45]
QMSS-104-06.75-X-D-GP	3.570[90.68]	3.850[97.79]
QMSS-130-06.75-X-D-GP	4.410[112.01]	4.690[119.13]

PROPRIETARY NOTE

THIS DOCUMENT CONTAINS INFORMATION CONFIDENTIAL AND PROPRIETARY TO SAMTEC, INC. AND SHALL NOT BE REPRODUCED OR TRANSFERRED TO OTHER DOCUMENTS OR DISCLOSED TO OTHERS OR USED FOR ANY PURPOSE OTHER THAN THAT WHICH IT WAS OBTAINED WITHOUT THE EXPRESSED WRITTEN CONSENT OF SAMTEC, INC.

DO NOT SCALE DRAWING

SHEET SCALE: 2.5:1

samtec

520 PARK EAST BLVD, NEW ALBANY, IN 47150
PHONE: 812-944-6733 FAX: 812-948-5047
e-Mail: info@SAMTEC.com code: 55322

DESCRIPTION:
.635mm DOUBLE ROW SHIELDED TERMINAL STRIP

DWG. NO.
QMSS-XXX-XX.XX-X-D-X-XXX-XX

BY: CHAD F 05/23/2002 SHEET 2 OF 3

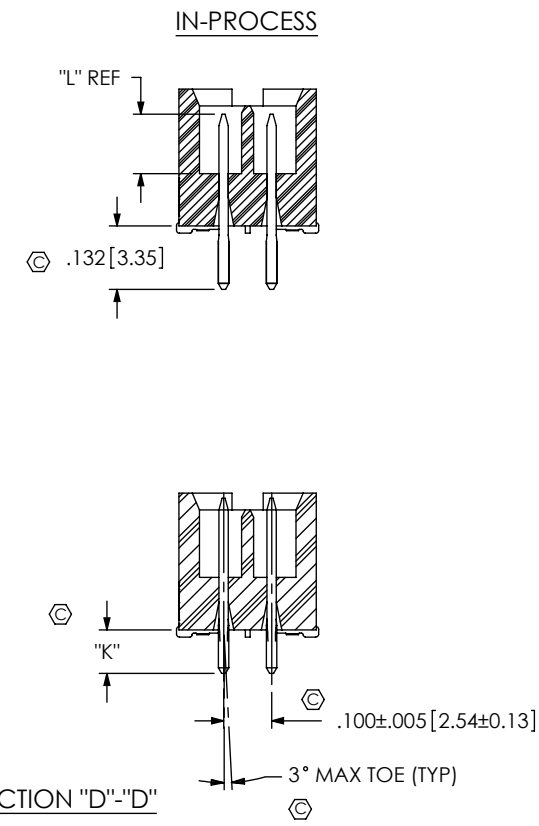
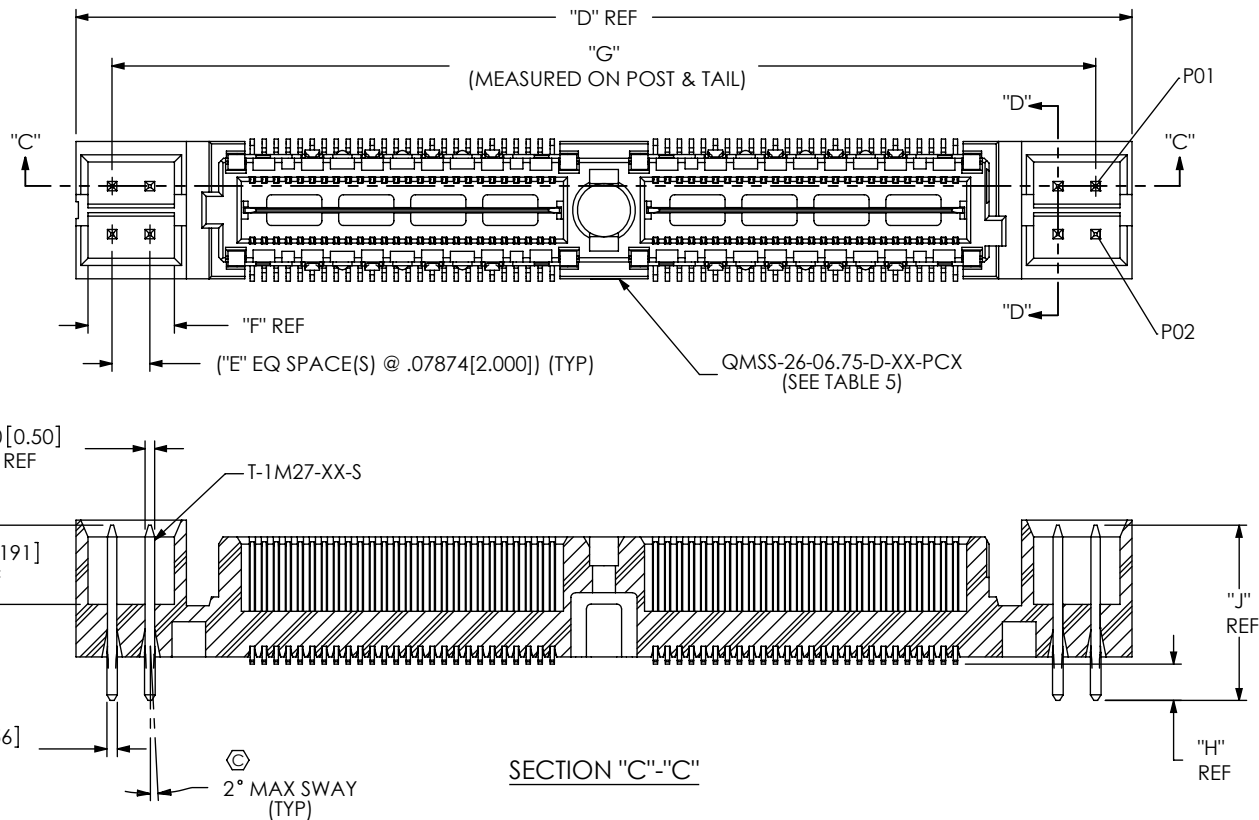


FIG 5 -PXX OPTION
POWER COMBO OPTIONS
QMSS-052-06.75-X-D-PC4 SHOWN
(SAME AS FIG 1, UNLESS OTHERWISE STATED)
[NOT AVAILABLE WITH -A, -GP, OR -K OPTION]
[AVAILABLE ON -026, -052 & -078 POSITIONS ONLY]

TABLE 5

ASSEMBLY	BODY	"D"	"E"	"F"	"G"
QMSS-026-06.75-X-D-X-PX4	QMSS-26-06.75-D-01-PC4	1.360[34.54]	1	.180[4.57]	1.209[30.71]
QMSS-026-06.75-X-D-X-PX8	QMSS-26-06.75-D-01-PC8	1.675[42.55]	3	.337[8.56]	1.524[38.71]
QMSS-052-06.75-X-D-X-PX4	QMSS-26-06.75-D-02-PC4	2.200[55.88]	1	.180[4.57]	2.049[52.04]
QMSS-052-06.75-X-D-X-PX8	QMSS-26-06.75-D-02-PC8	2.515[63.88]	3	.337[8.56]	2.364[60.05]
QMSS-078-06.75-X-D-X-PX4	QMSS-26-06.75-D-03-PC4	3.040[77.22]	1	.180[4.57]	2.889[73.38]
QMSS-078-06.75-X-D-X-PX8	QMSS-26-06.75-D-03-PC8	3.355[85.22]	3	.337[8.56]	3.204[81.38]

TABLE 6

POWER OPTION	TERMINAL	"H"	"J"	"K"	"L"
PC4 / PC8	T-1M27-01-S	.071[1.80]	.365[9.27]	.086[2.18]	.124[3.15]
PT4 / PT8	T-1M27-03-S	.110[2.79]	.400[10.16]	.125[3.18]	.159[4.04]

F:\DWG\MISC\MKTG\QMSS-XXX-XX-XX-X-D-X-XXX-XX-MKT.SLDDRW

PROPRIETARY NOTE

THIS DOCUMENT CONTAINS INFORMATION CONFIDENTIAL AND PROPRIETARY TO SAMTEC, INC. AND SHALL NOT BE REPRODUCED OR TRANSFERRED TO OTHER DOCUMENTS OR DISCLOSED TO OTHERS OR USED FOR ANY PURPOSE OTHER THAN THAT WHICH IT WAS OBTAINED WITHOUT THE EXPRESSED WRITTEN CONSENT OF SAMTEC, INC.

DO NOT SCALE DRAWING

SHEET SCALE: 2:5:1



520 PARK EAST BLVD, NEW ALBANY, IN 47150
PHONE: 812-944-6733 FAX: 812-948-5047
e-Mail: info@SAMTEC.com code: 55322

DESCRIPTION:
.635mm DOUBLE ROW SHIELDED TERMINAL STRIP

DWG. NO.
QMSS-XXX-XX.XX-X-D-X-XXX-XX

BY: CHAD F 05/23/2002 SHEET 3 OF 3