

NOTES: [AE]

- ⊕ REPRESENTS A CRITICAL DIMENSION.
- POSITIONS -04 THRU -50 ARE TO BE TUBED.
- POSITIONS 02 & 03 ARE TO BE LAYERED PACKAGED.
- MAXIMUM CUT FLASH: .010 [.25].
- STAKED ALIGNMENT PIN USED AT SAMTECS DISCRETION.
- MEASURE THE HEIGHT FROM THE EDGE, NOT THE BREAK OFF.
- MEASURED AT BEND RADIUS, NOT END OF PIN.
- DUE TO THE HIGH AMOUNT OF INSERTION FORCE NEEDED, THE -LC OPTION IS NOT COMPATIBLE WITH AUTO PLACEMENT. SAMTEC RECOMMENDS MANUAL PLACEMENT FOR ALL ASSEMBLIES WITH THE -LC OPTION.

DO NOT SCALE FROM THIS PRINT

SQW-1XX-01-XXX-D-VS-XX-XXX

No OF POSITIONS -02 THRU -50 (PER ROW)
 LEAD STYLE -01
 POLARIZATION OPTION -XXX: INDICATES POSITION POLARIZED (USE PK-07-N, SEE FIG 2, SHT 2)
 OPTION
 -A: STAKED & MOLDED IN ALIGNMENT PIN (5 POS MIN) (USE SM-A8H, SEE FIG 3, SHT 2)
 -LC: LOCKING CLIP (5 POS MIN) (USE LC-07-TM, SEE FIG 4, SHT 2 & NOTE 8)
 -P: PICK & PLACE PAD (4 POS MIN) (USE LMP-03, SEE FIG 6, SHT 2) [AE]
 -TR: TAPE & REEL (AVAILABLE POS 4 THRU 28)
 -K: POLYAMIDE FILM PAD (4 POS MIN) (USE K-500-300, SEE FIG 7, SHT 2) (.005 [.13] THICKNESS WITH SILICONE ADHESIVE)
 TAIL STYLE -VS: VERTICAL
 ROW SPECIFICATION -D: DOUBLE (USE SQW-XX-D)

PLATING SPECIFICATION

- [AE]
- F: 3μ" FLASH SELECTIVE GOLD IN CONTACT AREA MATTE TIN ON TAIL
 - L: 10μ" LIGHT SELECTIVE GOLD IN CONTACT AREA MATTE TIN ON TAIL
 - S: 30μ" SELECTIVE GOLD IN CONTACT AREA MATTE TIN ON TAIL
 - STL: 30μ" SELECTIVE GOLD IN CONTACT AREA TIN/LEAD (93/7+/-5%) TAIL
 - H: 30μ" HEAVY GOLD IN CONTACT AREA 3μ" ON TAIL
 - FM: 3μ" FLASH SELECTIVE GOLD IN CONTACT AREA MATTE TIN ON TAIL
 - LM: 10μ" LIGHT SELECTIVE GOLD IN CONTACT AREA MATTE TIN ON TAIL
 - SM: 30μ" SELECTIVE GOLD IN CONTACT AREA MATTE TIN ON TAIL

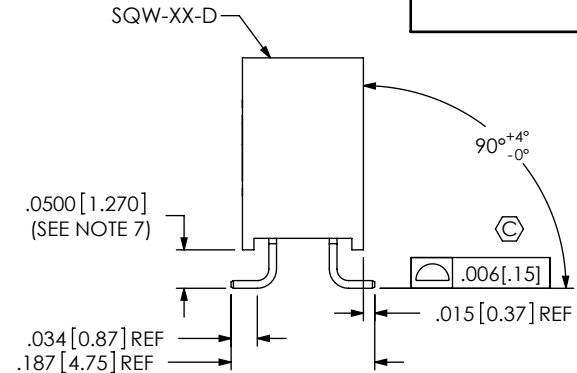
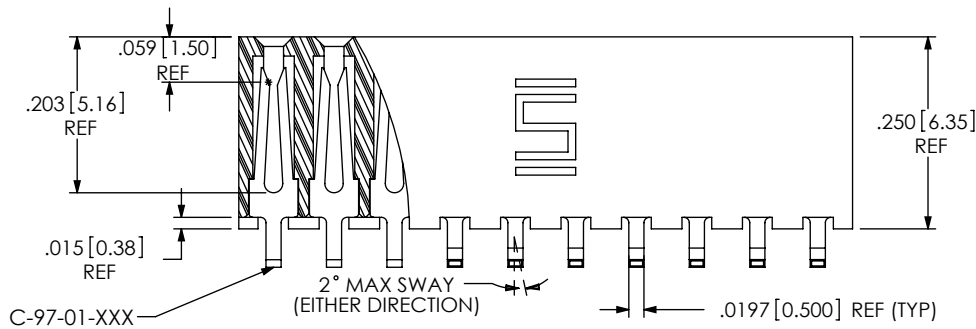
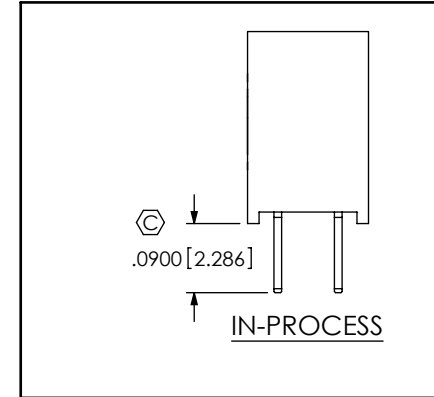
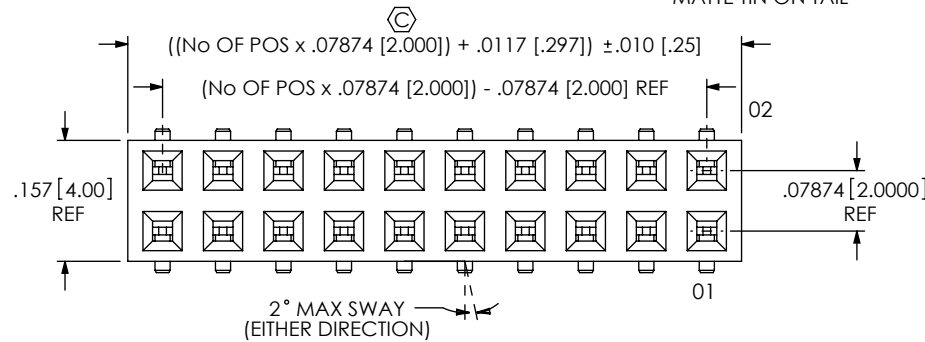



FIG 1
SQW-110-01-XXX-D-VS SHOWN

<p>UNLESS OTHERWISE SPECIFIED, DIMENSIONS ARE IN INCHES. TOLERANCES ARE: DECIMALS ANGLES .XX: ±.01 [.3] .XXX: ±.005 [.13] .XXXX: ±.0020 [.051]</p>	<p>PROPRIETARY NOTE THIS DOCUMENT CONTAINS INFORMATION CONFIDENTIAL AND PROPRIETARY TO SAMTEC, INC. AND SHALL NOT BE REPRODUCED OR TRANSFERRED TO OTHER DOCUMENTS OR DISCLOSED TO OTHERS OR USED FOR ANY PURPOSE OTHER THAN THAT WHICH IT WAS OBTAINED WITHOUT THE EXPRESSED WRITTEN CONSENT OF SAMTEC, INC.</p>	 <p>520 PARK EAST BLVD, NEW ALBANY, IN 47150 PHONE: 812-944-6733 FAX: 812-948-5047 e-Mail info@SAMTEC.com code 55322</p>
<p>MATERIAL: DO NOT SCALE DRAWING SHEET SCALE: 4:1 INSULATOR: LCP, UL 94 VO, COLOR: BLACK TERMINAL: PHOSPHOR BRONZE</p>	<p>DESCRIPTION: 2MM SOCKETS TRIP ASSEMBLY</p>	
<p>DWG. NO. SQW-1XX-01-XXX-D-VS-XX-XXX</p>		
<p>F:\DWG\MISC\MKTG\SQW-1XX-01-XXX-D-VS-XX-XXX-MKT.SLDDRW</p>	<p>BY: DEAN P 04/22/1997</p>	<p>SHEET 1 OF 3</p>

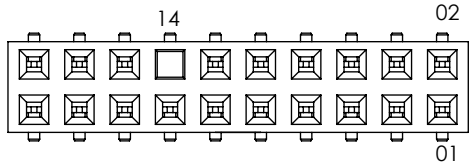


FIG 2
POLARIZATION OPTION LOCATION
INSERT PK-07-N INTO SPECIFIED
POSITION AND BREAK OFF TAB
SQW-110-01-XXX-D-VS-014 SHOWN
(DIFFERENT AS SHOWN, OTHERWISE SAME AS FIG 1)

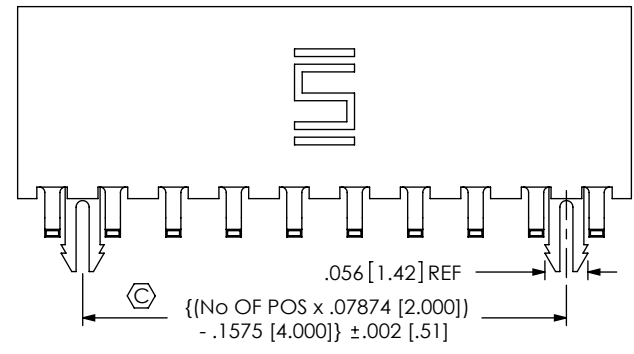


FIG 4
-LC: LOCKING CLIP
(5 POS MIN)
SQW-110-01-XXX-D-VS-LC SHOWN
(DIFFERENT AS SHOWN, OTHERWISE SAME AS FIG 1)

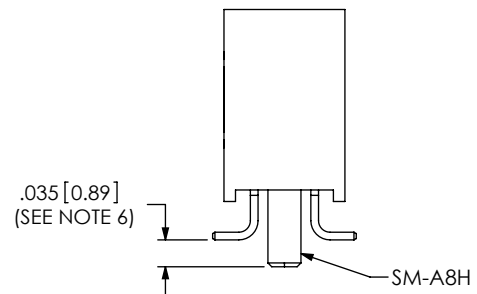
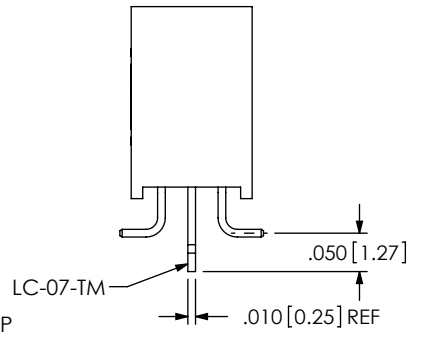


FIG 3
-A: STAKED ALIGNMENT PIN
(5 POS MIN)
SM-A8H
SQW-110-01-XXX-D-VS-A SHOWN
(DIFFERENT AS SHOWN, OTHERWISE SAME AS FIG 1)

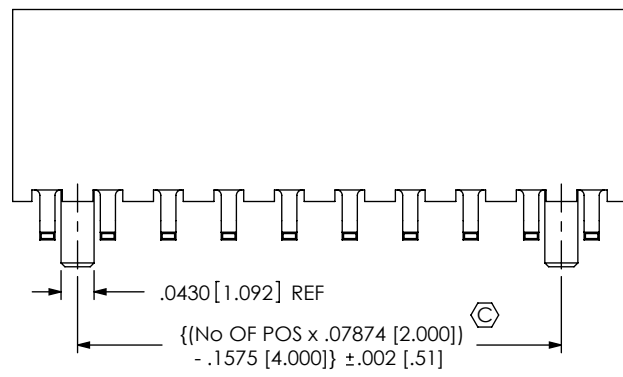


FIG 5
-A: MOLDED ALIGNMENT PIN
(5 POS MIN)
SQW-110-01-XXX-D-VS-A SHOWN
(DIFFERENT AS SHOWN, OTHERWISE SAME AS FIG 1)

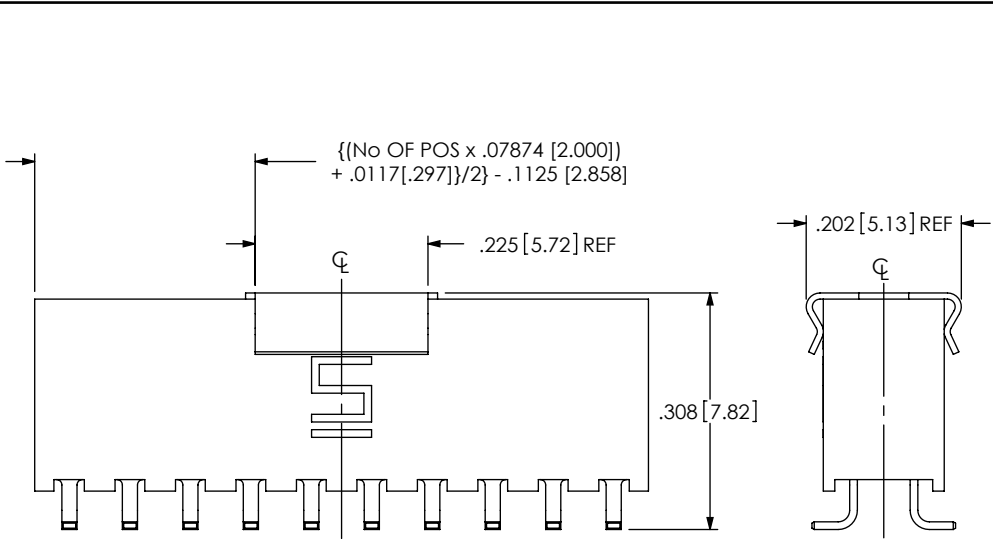
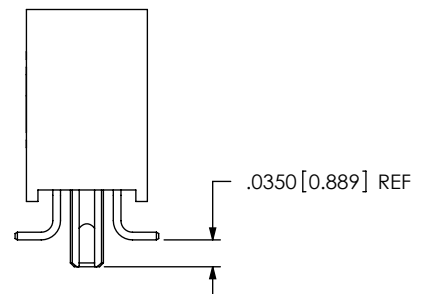


FIG 6
-P: PICK & PLACE PAD
(4 POS MIN)
SQW-110-01-XXX-D-VS-P SHOWN
(DIFFERENT AS SHOWN, OTHERWISE SAME AS FIG 1)

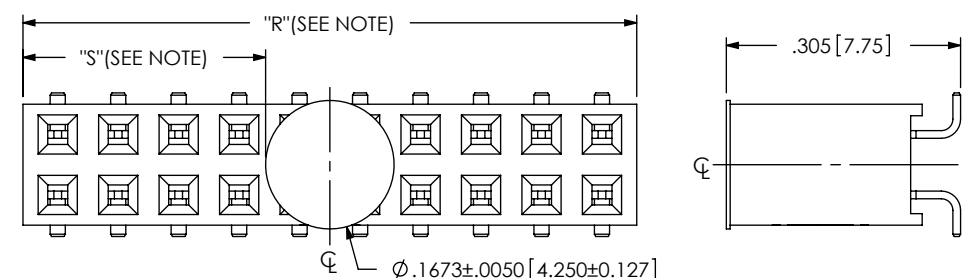


FIG 7
POLYAMIDE FILM PAD
(4 POS MIN)
SQW-110-01-XXX-D-VS-K SHOWN
(DIFFERENT AS SHOWN, OTHERWISE SAME AS FIG 1)

NOTE:
"R" = USED MEASURED DIMENSION (REF)
"S" = {"R" - .1673 [4.25]} / 2 ±.020 [.51]

PROPRIETARY NOTE
THIS DOCUMENT CONTAINS INFORMATION
CONFIDENTIAL AND PROPRIETARY TO
SAMTEC, INC. AND SHALL NOT BE REPRODUCED
OR TRANSFERRED TO OTHER DOCUMENTS OR
DISCLOSED TO OTHERS OR USED FOR ANY
PURPOSE OTHER THAN THAT WHICH IT WAS
OBTAINED WITHOUT THE EXPRESSED WRITTEN
CONSENT OF SAMTEC, INC.

DO NOT SCALE DRAWING
SHEET SCALE: 4:1

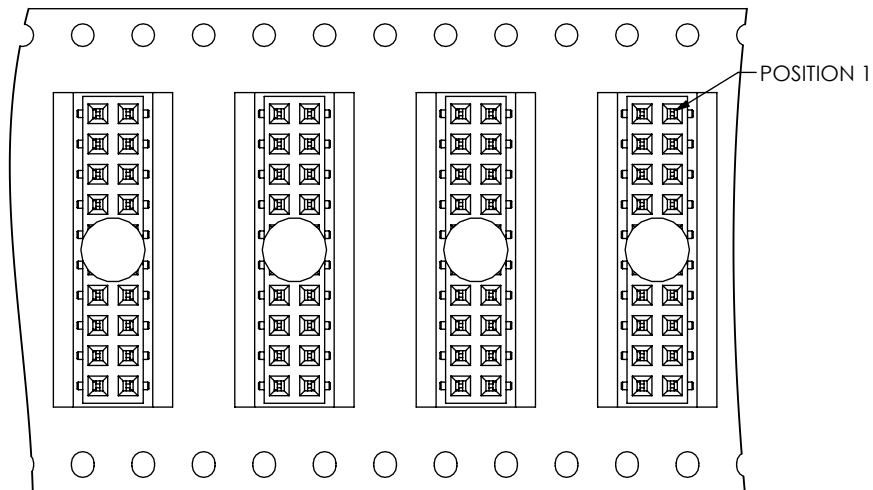


520 PARK EAST BLVD, NEW ALBANY, IN 47150
PHONE: 812-944-6733 FAX: 812-948-5047
e-Mail info@SAMTEC.com code 55322

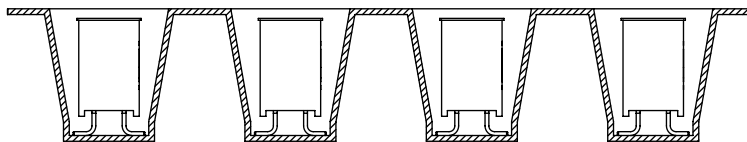
DESCRIPTION:
2MM SOCKETS TRIP ASSEMBLY

DWG. NO.
SQW-1XX-01-XXX-D-VS-XX-XXX

BY: DEAN P 04/22/1997 SHEET 2 OF 3

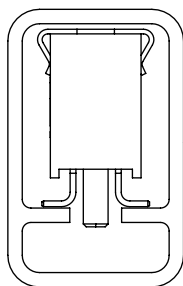


USER DIRECTION OF UNREELING →
POCKET NOT DETAILED



PARTS TO COME OFF REEL AS SHOWN
WITH POCKETS FACING UP

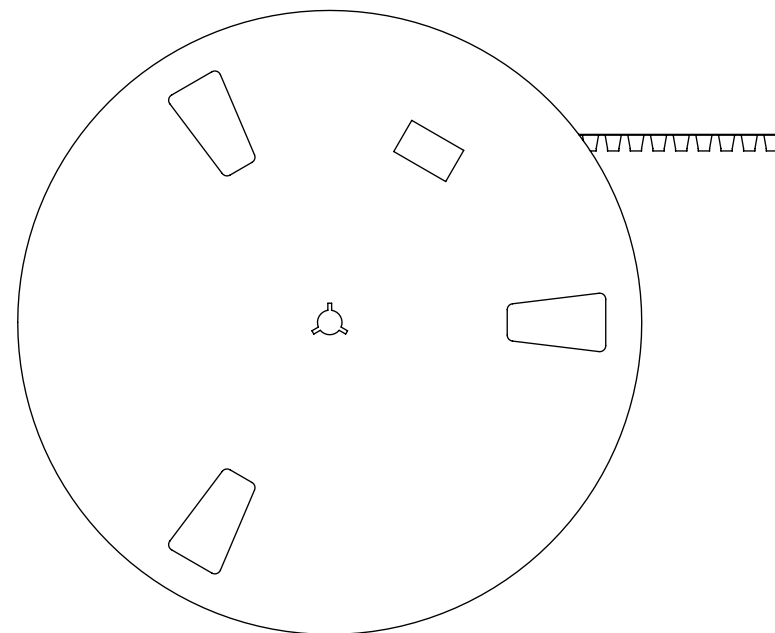
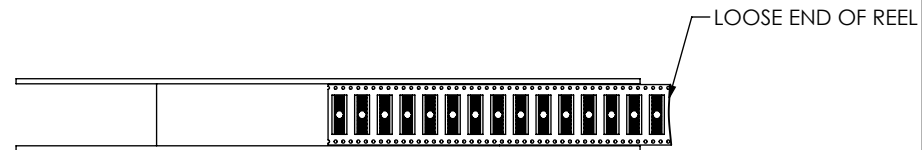
TAPE & REEL VIEW [AE]



PT-1-24-03-09
TP-09

[AE]

TUBE VIEW



UNWINDING DIRECTION →

REEL [AE]

PROPRIETARY NOTE
THIS DOCUMENT CONTAINS INFORMATION
CONFIDENTIAL AND PROPRIETARY TO
SAMTEC, INC. AND SHALL NOT BE REPRODUCED
OR TRANSFERRED TO OTHER DOCUMENTS OR
DISCLOSED TO OTHERS OR USED FOR ANY
PURPOSE OTHER THAN THAT WHICH IT WAS
OBTAINED WITHOUT THE EXPRESSED WRITTEN
CONSENT OF SAMTEC, INC.

DO NOT SCALE DRAWING

SHEET SCALE: 4:1



520 PARK EAST BLVD, NEW ALBANY, IN 47150
PHONE: 812-944-6733 FAX: 812-948-5047
e-Mail info@SAMTEC.com code 55322

DESCRIPTION:
2MM SOCKETS TRIP ASSEMBLY

DWG. NO.
SQW-1XX-01-XXX-D-VS-XX-XXX

BY: DEAN P 04/22/1997 SHEET 3 OF 3