

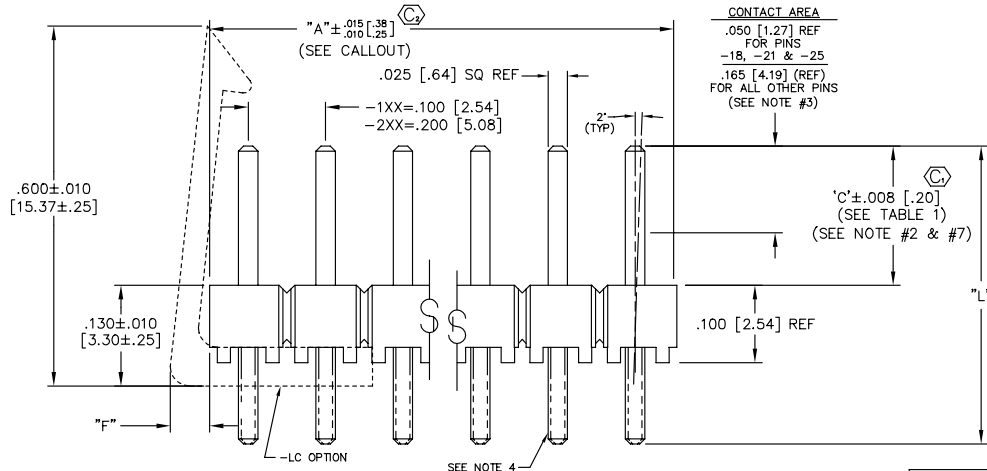
DO NOT SCALE FROM THIS PRINT

TERMINAL SPEC	PIN #1	PIN #2 (6)	PIN #3	"C"
-05 (3)	T-1S6-21-XXX-2	N/A	N/A	.105 [2.67] (3)
-06 (3)	T-1S6-18-XXX-2	N/A	N/A	.105 [2.67] (3)
-07 (3)	T-1S6-07-XXX-2	N/A	N/A	.230 [5.84] (3)
-08 (4)	T-1S6-08-XXX-2	T-1S6-09-XXX-2	T-1S6-11-XXX-2	(2) .230 [5.84] (3)(6)
-09 (4)	T-1S6-09-XXX-2	T-1S6-11-XXX-2	T-1S6-20-XXX-2	(2) .230 [5.84] (3)(6)
-10 (4)	T-1S6-10-XXX-2	T-1S6-12-XXX-2	T-1S6-13-XXX-2	.230 [5.84] (3)
-11 (4)	T-1S6-11-XXX-2	T-1S6-20-XXX-2	T-1S6-19-XXX-2	.230 [5.84] (3)
-12 (4)	T-1S6-12-XXX-2	T-1S6-13-XXX-2	T-1S6-14-XXX-2	.230 [5.84] (3)
-13 (4)	T-1S6-13-XXX-2	T-1S6-14-XXX-2	N/A	.230 [5.84] (3)
-14 (3)	T-1S6-08-XXX-2	N/A	N/A	.320 [8.13] (3)
-15 (3)	T-1S6-09-XXX-2	N/A	N/A	.520 [13.21] (3)
-16 (4)	T-1S6-09-XXX-2	T-1S6-11-XXX-2	T-1S6-20-XXX-2	.320 [8.13] (3)(6)
-17 (3)	T-1S6-10-XXX-2	N/A	N/A	.620 [15.75] (3)
-18 (3)	T-1S6-11-XXX-2	N/A	N/A	.720 [18.29] (3)
-19 (3)	T-1S6-12-XXX-2	N/A	N/A	.820 [20.83] (3)
-20 (3)	T-1S6-13-XXX-2	N/A	N/A	1.020 [25.91] (3)
-21 (3)	T-1S6-14-XXX-2	N/A	N/A	1.220 [30.99] (3)
-21 (1)	T-1S6-14-XXX-2	N/A	N/A	.230 [5.84] (3)
-22 (4)	T-1S6-15-XXX-2	T-1S6-10-XXX-2	T-1S6-12-XXX-2	.230 [5.84] (3)(6)
-23 (3)	T-1S6-16-XXX-2	N/A	N/A	.230 [5.84] (3)
-24 (3)	T-1S6-17-XXX-2	N/A	N/A	.265 [6.73] (3)
-25 (4)	T-1S6-15-XXX-2	T-1S6-10-XXX-2	T-1S6-12-XXX-2	.320 [8.13] (3)(6)
-26 (3)	T-1RS7-01-XXX-2	N/A	N/A	.230 [5.84] (3)
-27 (4)	T-1S6-19-XXX-2	N/A	N/A	.230 [5.84] (3)
-28 (4)	T-1S6-20-XXX-2	T-1S6-19-XXX-2	N/A	.230 [5.84] (3)
-29 (4)	T-1S6-19-XXX-2	N/A	N/A	.320 [8.13] (3)
-30 (4)	T-1S6-20-XXX-2	T-1S6-19-XXX-2	N/A	.320 [8.13] (3)

(1) .230 POST FOR -RA or -RE OPTION
 (2) OMIT WITH -Q ROW SPECIFICATION
 (3) NOT AVAILABLE IN -RA OR -RE OPTION
 (4) NOT AVAILABLE IN -RE OPTION.
 (5) AVAILABLE IN -LL OPTION.
 (6) AVAILABLE IN -LA OPTION.
 (7) ON STYLE -08 -LA, RA; 'C' = $230 \pm \frac{.000}{.008}$ [5.84 ± .02]
 (8) 1.220 POST FOR STRAIGHT PIN VERSION.

* SQUARE END OF PIN (T-1RS7-01-XXX-2) SHOULD BE LOCATED AT "C" DIMENSION DURING FILL PROCESS. (SEE FIG. 4)

ASSEMBLY INSTRUCTIONS



NOTES:

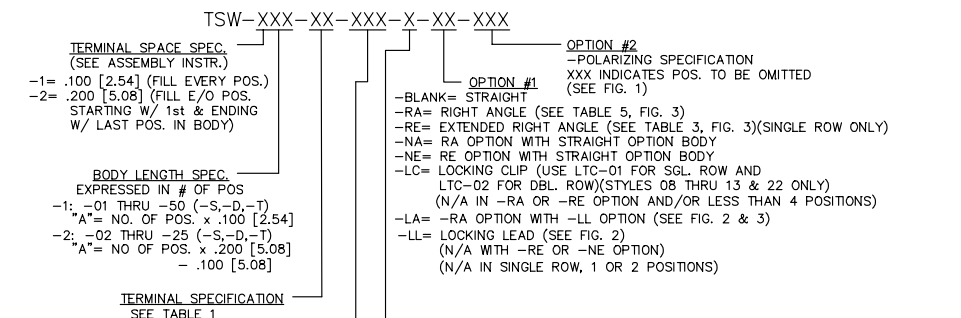
- TERMINAL PUSHOUT FORCE: 3 LBS. MIN.
- HEIGHT VARIATION BETWEEN A PIN AND ANY ADJACENT PIN SHALL BE .005 [.13] MAX (R.A. TAIL N/A).
- ASSEMBLE GOLD PLATE END AS SHOWN.
- STYLE -26: ROUND END TO APPEAR ON BOTTOM.
- .020 [.51] MAX. ALLOWABLE FLASH AFTER REMOVAL OF CROSS-BARS.
- (C) REPRESENTS CRITICAL DIMENSION.
- 'C'±.000 [±.00] FOR STYLE -08, OPTION -LA & -RA ONLY.
- TOW & SWAY SPEC. OF 2' APPLIES TO ALL POSITIONS, POST & TAIL, IN ALL DIRECTIONS.
- ALL DIMENSIONS TO BE ABOUT CL WITHIN ±.005 [.13].
- MEASURE FROM THE TIPS OF THE TERMINALS.
- ALL DIMENSIONS TO BE ABOUT CL WITHIN ±.005 [.13].
- MEASURE FROM THE TIPS OF THE TERMINALS.
- TSW-50-D BODY CAN BE USED IF RTSW-50-D IS UNAVAILABLE
- ORIENTATE PINS TO PREVENT BANDOLIER MARKS FROM SHOWING IN THE POST AREA. (SEE TABLE 7)
- COUNT ONLY USABLE PINS AS POSITIONS

ROW/OPTION	USE BODY
-S, -S-NA/-NE	TSW-50-S
-S -RA/-RE	TSW-50-S-RA
-D, -D-NA/-NE	RTSW-50-D
-D -RA	TSW-50-D-RA
-T, -T-NA/-NE	TSW-50-T
-T -RA, -Q-RA	TSW-50-T-RA
-Q	TSW-50-T

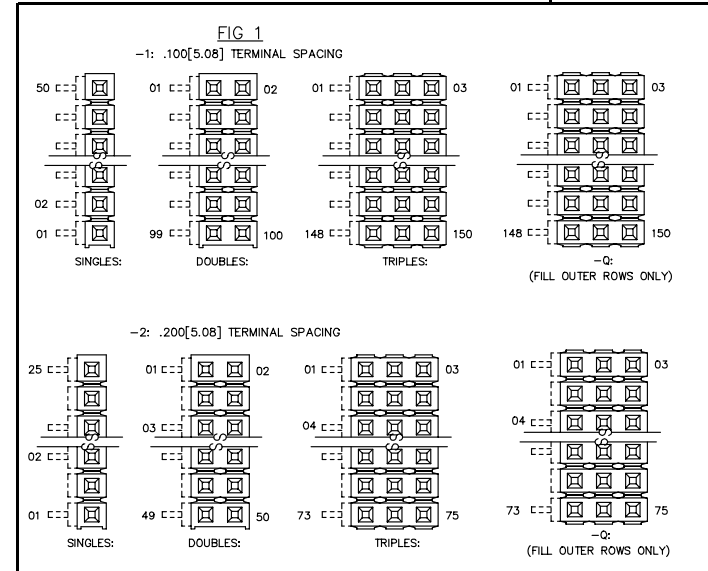
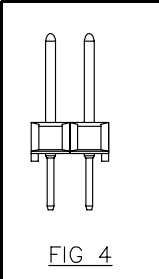
ROW	"F"±.015[.38]
-D	.105[2.67]
-S	.075[1.91]

NOTE DELTED

DIMENSIONS ARE IN INCHES		UNLESS OTHERWISE NOTED		TOLERANCES ARE:		TITLE:	DWG NO:
ONE PLACE DECIMALS ±.1 [3]	THREE PLACE DECIMALS ±.005 [.13]	ANGLES ± 2°	FOUR PLACE DECIMALS ±.0020 [.051]			ASSEMBLY, .025 [.64] SQ. POST TERMINAL STRIP	TSW-XXX-XX-XXX-X-XX-XXX SHEET 1 OF 4



- PLATING SPECIFICATIONS
- G: GOLD
 - T: TIN
 - S: SELECTIVE HEAVY GOLD
 - H: HEAVY GOLD
 - L: SELECTIVE LIGHT GOLD
 - P: GOLD FLASHED PALLADIUM NICKEL
 - F: FLASH SELECTIVE GOLD
 - E: EXTRA HEAVY GOLD (AVAILABLE IN STYLES -07,-08,-09, -13 & -14 STRAIGHT) (-08 DOUBLE RIGHT ANGLE)
 - TL: TIN/LEAD (AVAILABLE ONLY ON LEAD STYLES -07, -08 & -09)
 - STL: SELECTIVE TIN/LEAD (AVAILABLE ONLY ON LEAD STYLES -07, -08, -10, -16, -17, -21, & -24 STRAIGHT THROUGH HOLE ONLY).
 - TM: MATTE TIN (SEE PLATING INSTRUCTIONS)
 - SM: HEAVY SELECTIVE GOLD, MATTE TIN TAIL (SEE PLATING INSTRUCTIONS)
 - LM: LIGHT SELECTIVE GOLD, MATTE TIN TAIL (SEE PLATING INSTRUCTIONS)
 - FM: FLASH SELECTIVE GOLD, MATTE TIN TAIL (SEE PLATING INSTRUCTIONS)
- ROW SPECIFICATION (SEE TABLE #2)
- S: SINGLE
 - D: DOUBLE
 - T: TRIPLE
 - Q: TRIPLE ROW, FILL OUTER ROWS ONLY



PROPRIETARY NOTE
 THIS DOCUMENT CONTAINS INFORMATION CONFIDENTIAL AND PROPRIETARY TO SAMTEC INC. AND SHALL NOT BE REPRODUCED OR TRANSMITTED IN ANY FORM OR BY ANY MEANS, ELECTRONIC OR MECHANICAL, INCLUDING PHOTOCOPYING, RECORDING, OR BY ANY INFORMATION STORAGE AND RETRIEVAL SYSTEM, WITHOUT THE EXPRESS WRITTEN CONSENT OF SAMTEC INC.

MATERIAL:
 BODIES:
 DUPONT CRASTIN SK652 FR
 COLOR:BLACK
 TERMINALS:
 PHOSPHER BRONZE

EXISPROD ASSEMBLY 100
 TSW-ASM1

samtec

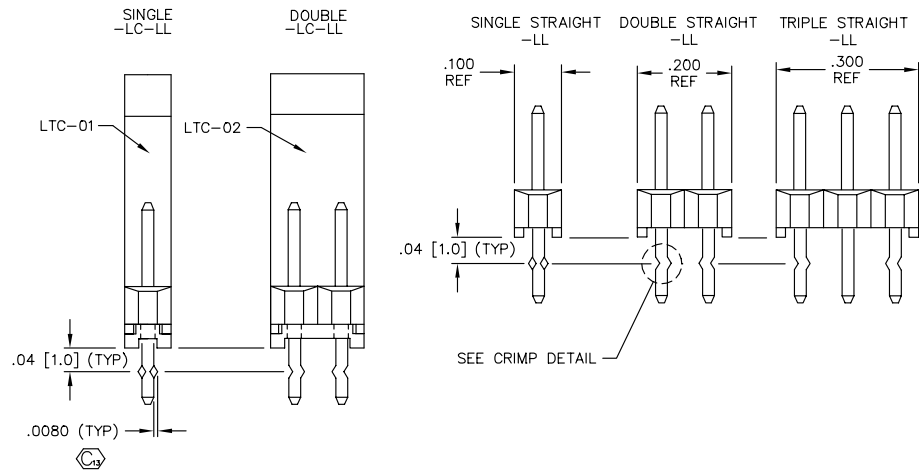
520 PARK EAST BLVD., NEW ALBANY, INDIANA 47150
 PHONE (812) 944-6733 P.O. BOX 1147
 CODE 55322

MADE BY:
 KOLB 8-24-88

TSW-XXX-XX-XXX-X-XX-XXX
 SHEET 1 OF 4

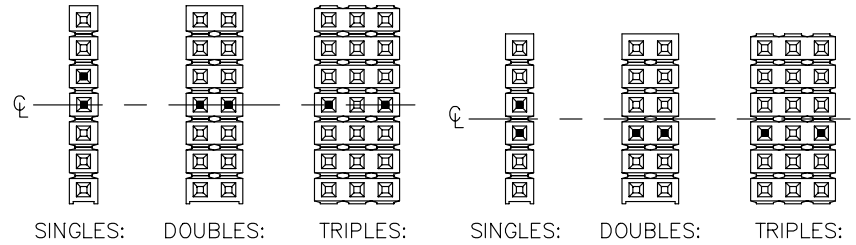
REV CS

FIG. 2
LOCKING LEAD
 (NOTE: END VIEWS SHOWN.)



DIMENSIONS ARE IN INCHES		UNLESS OTHERWISE NOTED		TOLERANCES ARE:		TITLE: ASSEMBLY,	DWG NO:
ONE PLACE DECIMALS ±.1 [3]	THREE PLACE DECIMALS ± .005 [.13]	ANGLES	.025 [.64] SQ. POST		± 2°	TERMINAL STRIP	TSW-XXX-XX-XXX-X-XX-XXX
TWO PLACE DECIMALS ±.01 [.3]	FOUR PLACE DECIMALS ± .0020 [.051]						

SHEET 2 OF 4



STRAIGHT VERSION

STRAIGHT VERSION



SINGLES: DOUBLES: TRIPLES:

SINGLES: DOUBLES: TRIPLES:

RIGHT ANGLE VERSION

RIGHT ANGLE VERSION

ODD POSITIONS

EVEN POSITIONS

LOCKING LEAD

■ = CRIMP LOCATION

PROPRIETARY NOTE
 THIS DOCUMENT CONTAINS INFORMATION CONFIDENTIAL AND PROPRIETARY TO SAMTEC INC. AND SHALL NOT BE REPRODUCED OR TRANSMITTED TO OTHER DOCUMENTS OR DISCLOSED TO OTHERS OR USED FOR ANY PURPOSE OTHER THAN THAT FOR WHICH IT WAS OBTAINED WITHOUT THE EXPRESS WRITTEN CONSENT OF SAMTEC INC.

EXISPROD\ASSEMBLY
100\TSW-ASM2

samtec

520 PARK EAST BLVD. NEW ALBANY, INDIANA 47150
 PHONE (812) 944-6733 P.O. BOX 1147
 CODE 55322

MADE BY: KOLB 8-24-88	TSW-XXX-XX-XXX-X-XX-XXX
-----------------------	-------------------------

SHEET 2 OF 4

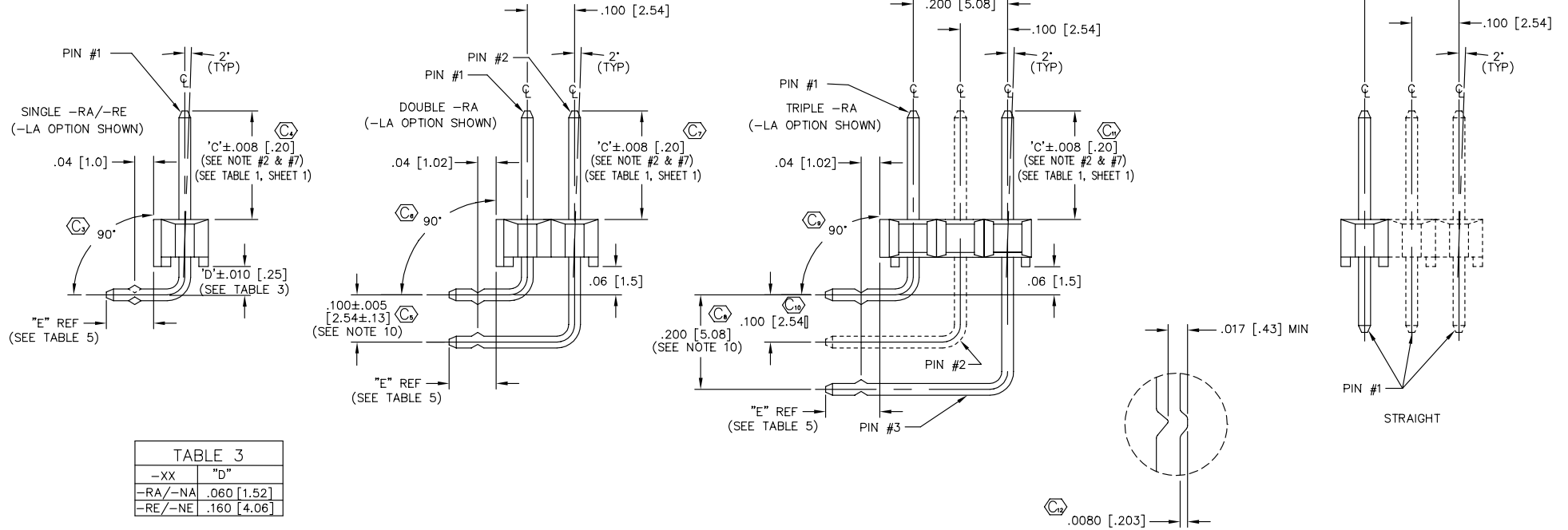
UNLESS OTHERWISE NOTED

DIMENSIONS ARE IN INCHES		TOLERANCES ARE:	
ONE PLACE DECIMALS ±.1 [3]	THREE PLACE DECIMALS ± .005 [.13]	ANGLES	± 2°
TWO PLACE DECIMALS ±.01 [.3]	FOUR PLACE DECIMALS ± .0020 [.051]		

TITLE: ASSEMBLY, .025 [.64] SQ. POST TERMINAL STRIP	DWG NO: TSW-XXX-XX-XXX-X-XX-XXX SHEET 3 OF 4
---	--

FIG. 3

(-LA OPTION IS SHOWN ON ALL RIGHT ANGLES FOR DIMENSIONAL AND LOCATION PURPOSES.)
NOTES: 1.) END VIEWS SHOWN.
2.) SEE NOTE 7 (SHEET 1)



-XX	"D"
-RA/-NA	.060 [1.52]
-RE/-NE	.160 [4.06]

LEAD STYLE	RA SINGLE	RE SINGLE	RA DOUBLE	RA TRIPLE	NA SINGLE	NE SINGLE	NA DOUBLE	NA TRIPLE
08	.090 [2.29]	N/A	.090 [2.29]	.090 [2.29]	.109 [2.77]	N/A	.109 [2.77]	.109 [2.77]
09	.290 [7.37]	.190 [4.83]	.290 [7.37]	.290 [7.37]	.309 [7.85]	.209 [4.34]	.309 [7.85]	.309 [7.85]
10	.390 [9.91]	.290 [7.37]	.390 [9.91]	.390 [9.91]	.409 [10.39]	.309 [6.88]	.409 [10.39]	.409 [10.39]
11	.490 [12.45]	.390 [9.91]	.490 [12.45]	.490 [12.45]	.509 [12.93]	.409 [9.42]	.509 [12.93]	.509 [12.93]
12	.590 [14.99]	.490 [12.45]	.590 [14.99]	.590 [14.99]	.609 [15.47]	.509 [11.96]	.609 [15.47]	.609 [15.47]
13	.790 [20.07]	.690 [17.53]	.790 [20.07]	N/A	.809 [20.55]	.709 [17.04]	.809 [20.55]	N/A
16	.200 [5.08]	.100 [2.54]	.200 [5.08]	.200 [5.08]	.219 [5.56]	.119 [1.80]	.219 [5.56]	.219 [5.56]
21	.990 [25.15]	.890 [22.61]	N/A	N/A	1.009 [25.63]	.909 [22.12]	N/A	N/A
22	.190 [4.83]	.090 [2.29]	.190 [4.83]	.190 [4.83]	.209 [5.31]	.109 [1.80]	.209 [5.31]	.209 [5.31]
25	.100 [2.54]	N/A	.100 [2.54]	.100 [2.54]	.119 [3.02]	N/A	.119 [3.02]	.119 [3.02]
27	.890 [22.61]	.790 [20.07]	N/A	N/A	.909 [23.09]	.809 [19.58]	N/A	N/A
28	.690 [17.53]	.590 [14.99]	.690 [17.53]	N/A	.709 [18.01]	.609 [14.50]	.709 [18.01]	N/A
29	.800 [20.32]	N/A	N/A	N/A	.819 [20.80]	N/A	N/A	N/A
30	.600 [15.24]	N/A	.600 [15.24]	N/A	.619 [15.72]	N/A	.619 [15.72]	N/A

PROPRIETARY NOTE
THIS DOCUMENT CONTAINS INFORMATION CONFIDENTIAL AND PROPRIETARY TO SAMTEC INC. AND SHALL NOT BE REPRODUCED OR TRANSMITTED IN ANY FORM OR BY ANY MEANS, ELECTRONIC OR MECHANICAL, INCLUDING PHOTOCOPYING, RECORDING, OR BY ANY INFORMATION STORAGE AND RETRIEVAL SYSTEM, WITHOUT THE WRITTEN CONSENT OF SAMTEC INC.

CRIMP DETAIL
SCALE: 2x
[TYP- ALL CRIMPS]

EXISPROD ASSEMBLY
100\TSW-ASM3

520 PARK EAST BLVD. NEW ALBANY, INDIANA 47150
PHONE (812) 944-6733 P.O. BOX 1147
CODE 55322

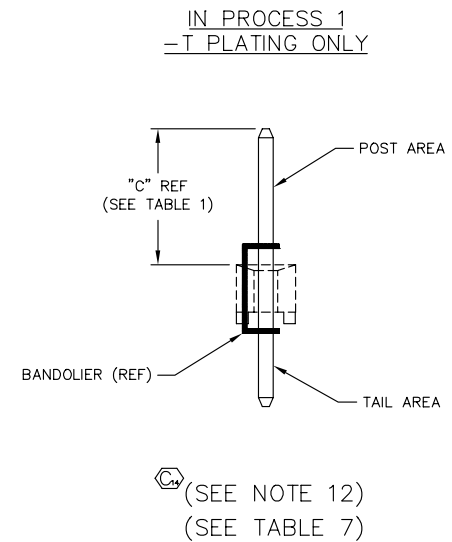
MADE BY: KOLB 8-24-88

TSW-XXX-XX-XXX-X-XX-XXX
SHEET 3 OF 4

TABLE 7 (-T PLATING ONLY)

LEAD STYLE	NUMBER OF BAND MARKS ALLOWED IN POST AREA			LEAD STYLE	NUMBER OF BAND MARKS ALLOWED IN POST AREA		
	PIN #1	PIN #2	PIN #3		PIN #1	PIN #2	PIN #3
*-05	*0	N/A	N/A	*-17	2	N/A	N/A
-06	1	N/A	N/A	*-18	2	N/A	N/A
-07	1	N/A	N/A	*-19	2	N/A	N/A
-08	0	0	0	*-20	2	N/A	N/A
-08-RA	0	0	0	*-21	2	N/A	N/A
-09	0	0	0	-21-RA	0	N/A	N/A
-09-RA	0	0	0	-21-RE	0	N/A	N/A
-09-RE	0	0	0	-22	0	0	0
-10	0	0	0	-22-RA	0	0	0
-10-RA	0	0	0	-22-RE	0	0	0
-10-RE	0	0	0	-23	1	N/A	N/A
-11	0	0	0	-24	1	N/A	N/A
-11-RA	0	0	0	-25	1	1	1
-11-RE	0	0	0	*-25-RA	1	0	0
-12	0	0	0	*-26	1	N/A	N/A
-12-RA	0	0	0	*-27	0	N/A	N/A
-12-RE	0	0	0	*-27-RA	0	N/A	N/A
-13	0	0	N/A	*-27-RE	0	N/A	N/A
-13-RA	0	0	N/A	*-28	0	0	N/A
-13-RE	0	0	N/A	*-28-RA	0	0	N/A
-14	1	N/A	N/A	*-28-RE	0	0	N/A
*-15	2	N/A	N/A	*-29	1	N/A	N/A
*-16	1	1	1	*-29-RA	1	N/A	N/A
*-16-RA	1	1	1	*-30	1	1	N/A
*-16-RE	1	1	1	*-30-RA	1	1	N/A

* PINS TO BE FLIPPED OPPOSITE OF SELECTIVE PLATING BEFORE BEING INSERTED



PROPRIETARY NOTE
 THIS DOCUMENT CONTAINS INFORMATION CONFIDENTIAL AND PROPRIETARY TO SAMTEC INC. AND SHALL NOT BE REPRODUCED OR TRANSMITTED TO OTHER DOCUMENTS OR DISCLOSED TO OTHERS OR USED FOR ANY PURPOSE OTHER THAN THAT FOR WHICH IT WAS OBTAINED WITHOUT THE EXPRESSED WRITTEN CONSENT OF SAMTEC INC.

EXISPROD\ASSEMBLY
 100\TSW-ASM4

samtec

520 PARK EAST BLVD. NEW ALBANY, INDIANA 47150
 PHONE (812) 944-6733 P.O. BOX 1147
 CODE 55322

MADE BY: KOLB 8-24-88

TSW-XXX-XX-XXX-X-XX-XXX
 SHEET 4 OF 4