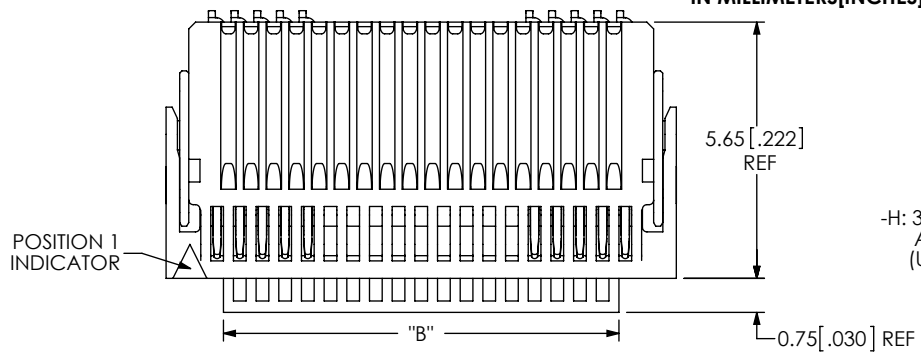


DO NOT SCALE FROM THIS PRINT

DESIGNED & DIMENSIONED IN MILLIMETERS [INCHES]

UEC5-XXX-1-X-D-RA-X-A



No OF POSITIONS
-019, *-025, *-038, *-050 (PER ROW)

LEAD STYLE
-1:

PLATING SPECIFICATION
-H: 30µ" GOLD IN CONTACT AREA, GOLD FLASH ON TAIL (USE C-409-01-H, C-410-01-H)

ROW SPECIFICATION
-D: DOUBLE ROW

OPTION
-A: ALIGNMENT PIN

WELD TAB STYLE
-1: THRU HOLE
-2: SURFACE MOUNT

RIGHT ANGLE
-RA: RIGHT ANGLE

(* = NOT TOOLED)

MULTIPLE PATENTS PENDING

THIS IS THE SECOND GENERATION DESIGN OF THE UEC5 (RUGGEDIZED). SEE DRAWING No ASP-180864-01 FOR THE ORIGINAL DESIGN (ONLY AVAILABLE TO EXISTING CUSTOMERS)

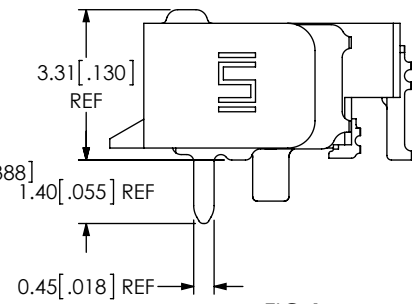
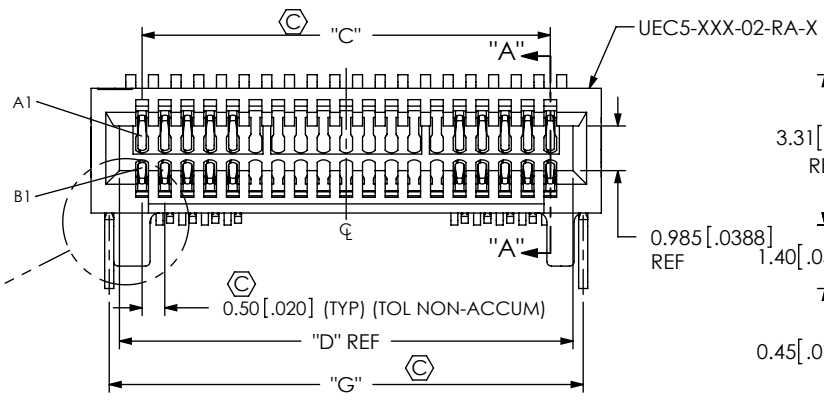
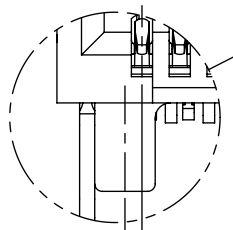


FIG 1
UEC5-019-1-X-D-RA-1-A SHOWN (SOME CENTER FEATURES REMOVED FOR CLARITY) (PP NOT SHOWN FOR CLARITY)

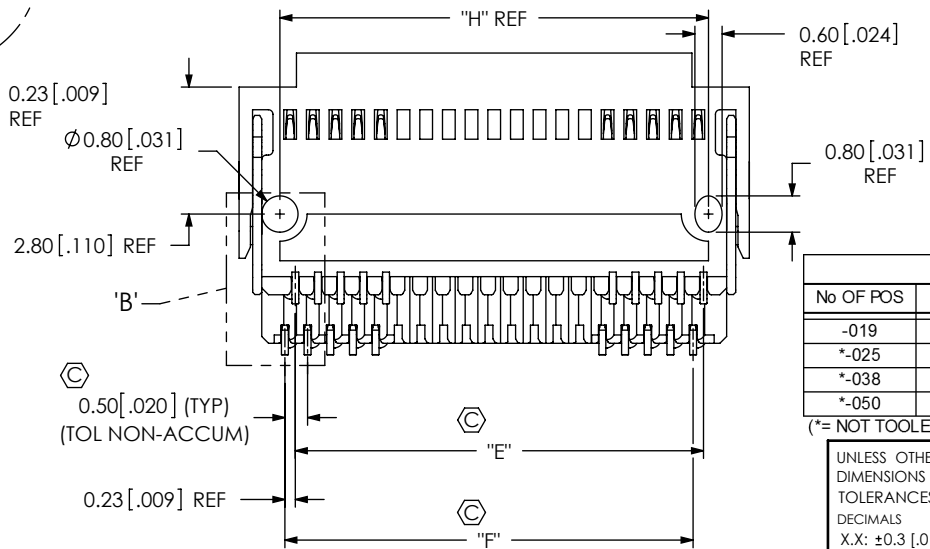
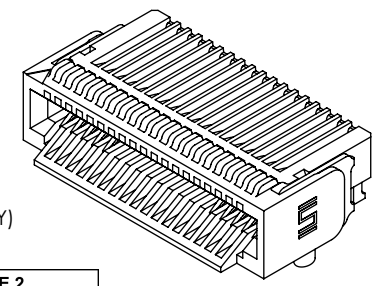


TABLE 2

No. OF POS	"A"
-019	11.25 [0.443]
*-025	14.25 [0.561]
*-038	22.00 [0.866]
*-050	28.00 [1.102]

(* = NOT TOOLED)

TABLE 1

No OF POS	"B"	"C"	"D"	"E"	"F"	"G"	"H"
-019	8.72 [0.343]	9.00 [0.354]	10.00 [0.394]	9.00 [0.354]	9.00 [0.354]	10.45 [0.411]	9.45 [0.372]
*-025	11.72 [0.461]	12.00 [0.472]	13.00 [0.512]	12.00 [0.472]	12.00 [0.472]	13.45 [0.530]	12.45 [0.490]
*-038	8.72 [0.343]	19.75 [0.778]	N/A	19.75 [0.778]	19.75 [0.778]	21.20 [0.835]	20.20 [0.795]
*-050	11.72 [0.461]	25.75 [1.014]	N/A	25.75 [1.014]	25.75 [1.014]	27.20 [1.071]	26.20 [1.031]

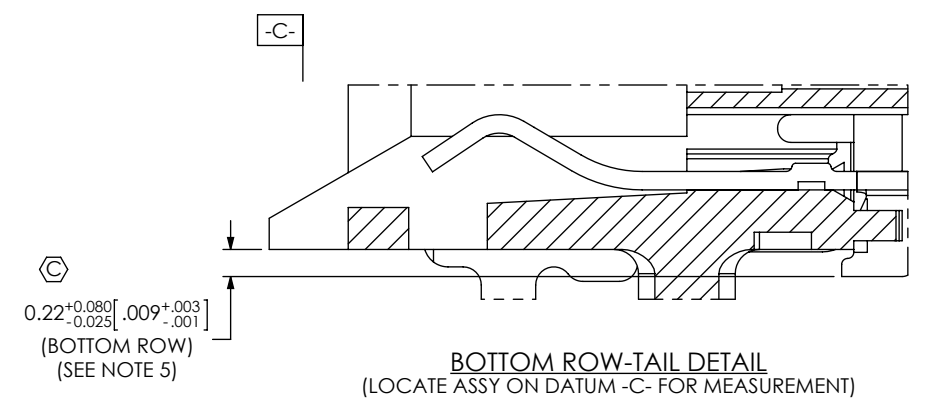
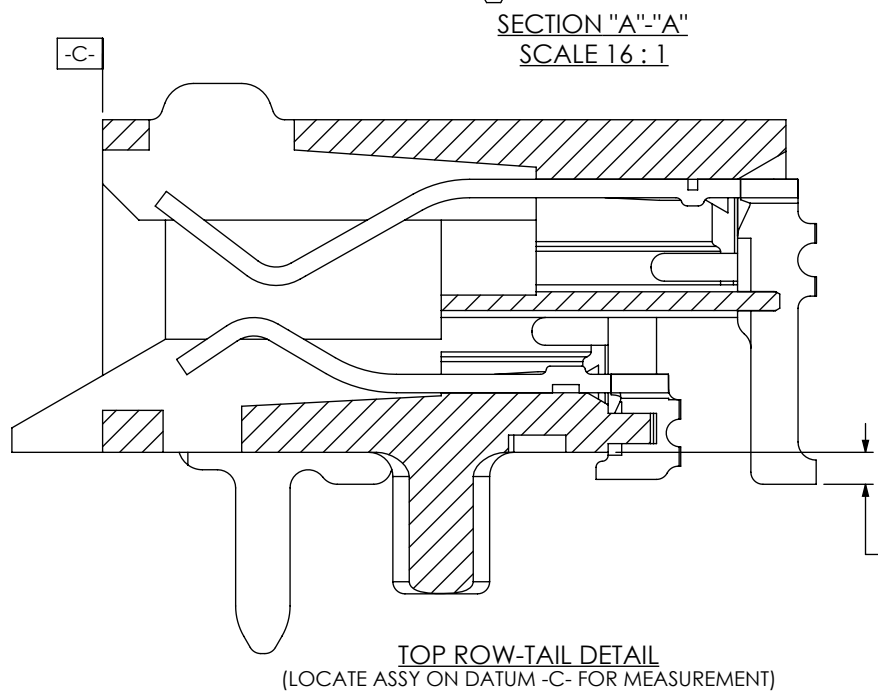
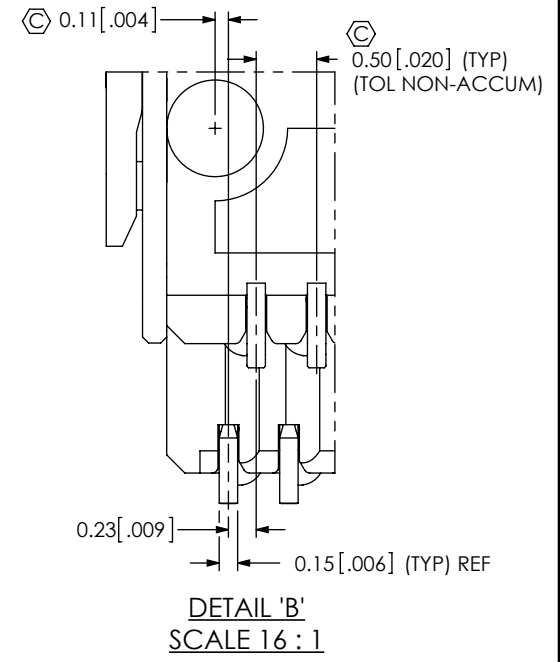
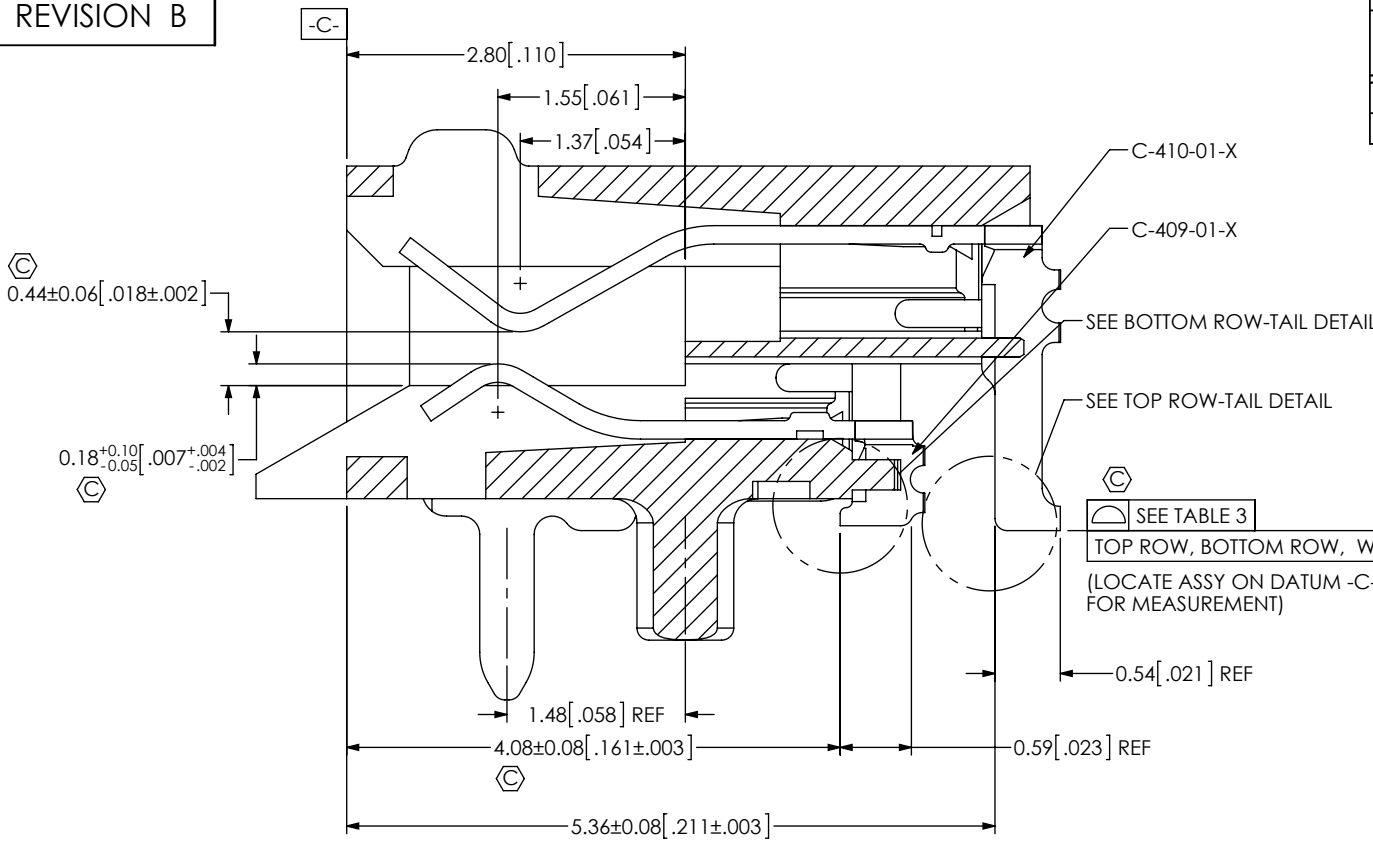
(* = NOT TOOLED)

- NOTES:
- ⊗ REPRESENTS A CRITICAL DIMENSION.
 - MINIMUM PUSHOUT FORCE: 1.6N [0.36 LB].
 - TAPE & REEL IS STANDARD PACKAGING
 - FOR QUANTITIES UP TO 49 PIECES, NO LEADER, TRAILER OR EIA-481 REEL WILL BE SUPPLIED.
 - FOR QUANTITIES 50-124, NO LEADER OR TRAILER WILL BE SUPPLIED.
 - USE INSPECTION FIXTURE, SAMTEC P/N AT-2450-800, WHEN INSPECTING SOLDER TAIL CRITICAL DIMENSIONS.

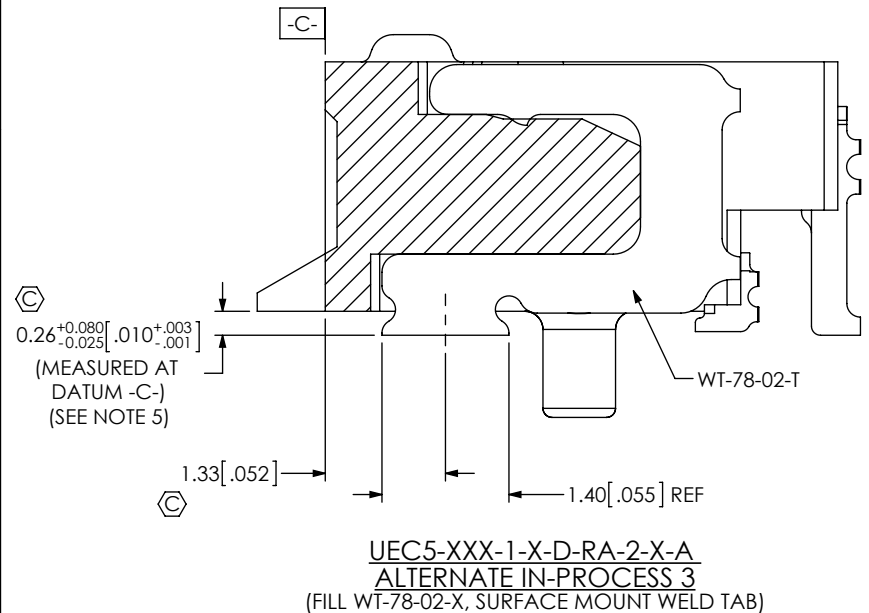
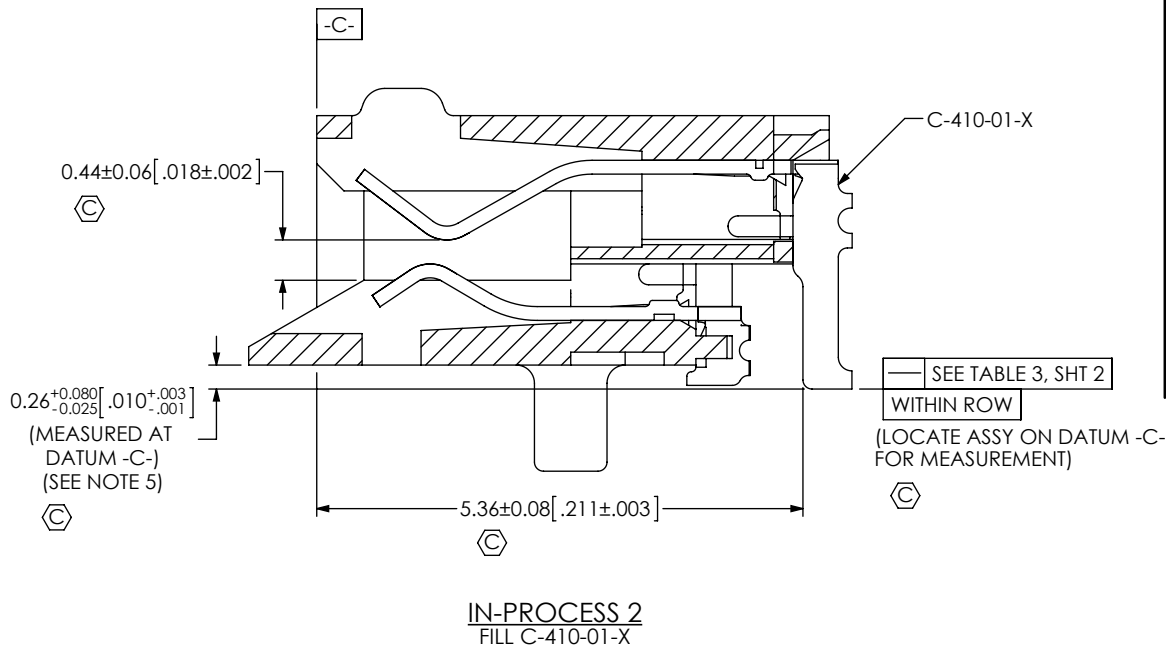
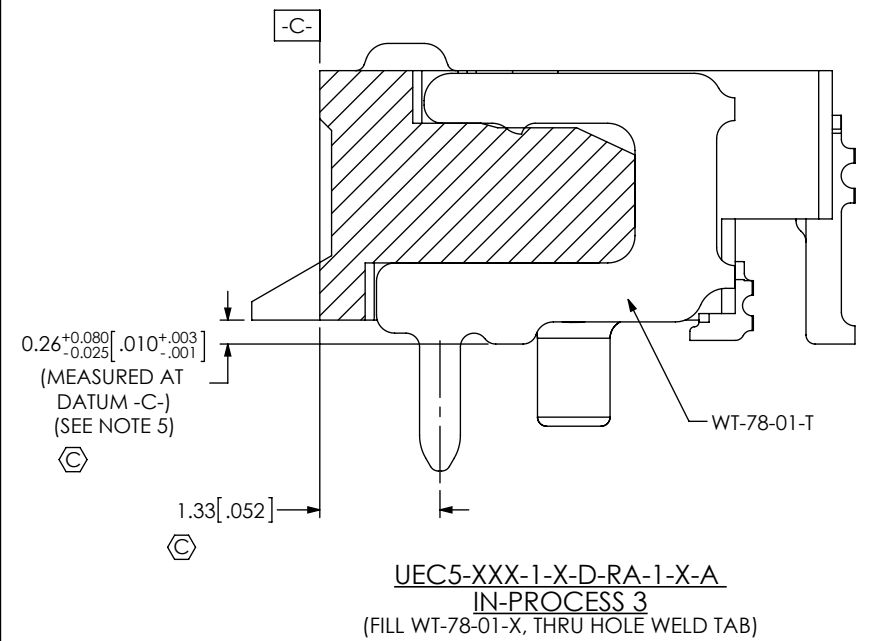
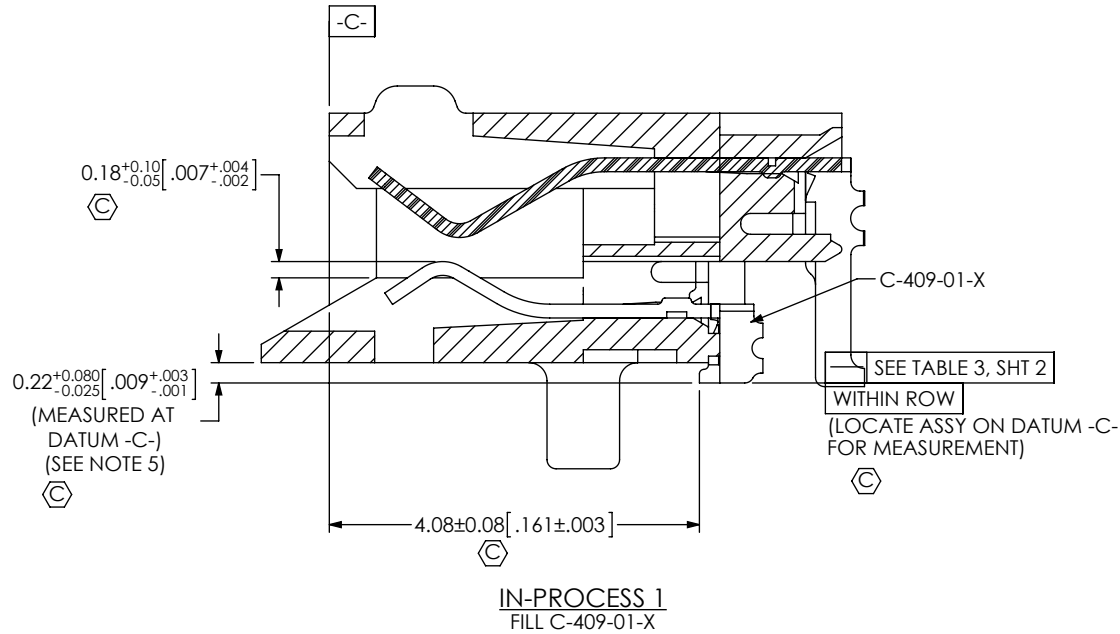
UNLESS OTHERWISE SPECIFIED, DIMENSIONS ARE IN MILLIMETERS. TOLERANCES ARE: DECIMALS ANGLES X.X: ±0.3 [01] 2° X.XX: ±0.13 [005] X.XXX: ±0.051 [0020]	PROPRIETARY NOTE THIS DOCUMENT CONTAINS INFORMATION CONFIDENTIAL AND PROPRIETARY TO SAMTEC, INC. AND SHALL NOT BE REPRODUCED OR TRANSFERRED TO OTHER DOCUMENTS OR DISCLOSED TO OTHERS OR USED FOR ANY PURPOSE OTHER THAN THAT WHICH IT WAS OBTAINED WITHOUT THE EXPRESSED WRITTEN CONSENT OF SAMTEC, INC.	520 PARK EAST BLVD, NEW ALBANY, IN 47150 PHONE: 812-944-6733 FAX: 812-948-5047 e-Mail: info@SAMTEC.com code 53322

TABLE 3			
No OF POS	BOTTOM ROW STRAIGHTNESS	TOP ROW STRAIGHTNESS	COPLANARITY
-019, *-025	0.10 [0.004]	0.10 [0.004]	0.10 [0.004]
*-038, *-050	0.10 [0.004]	0.10 [0.004]	0.13 [0.005]

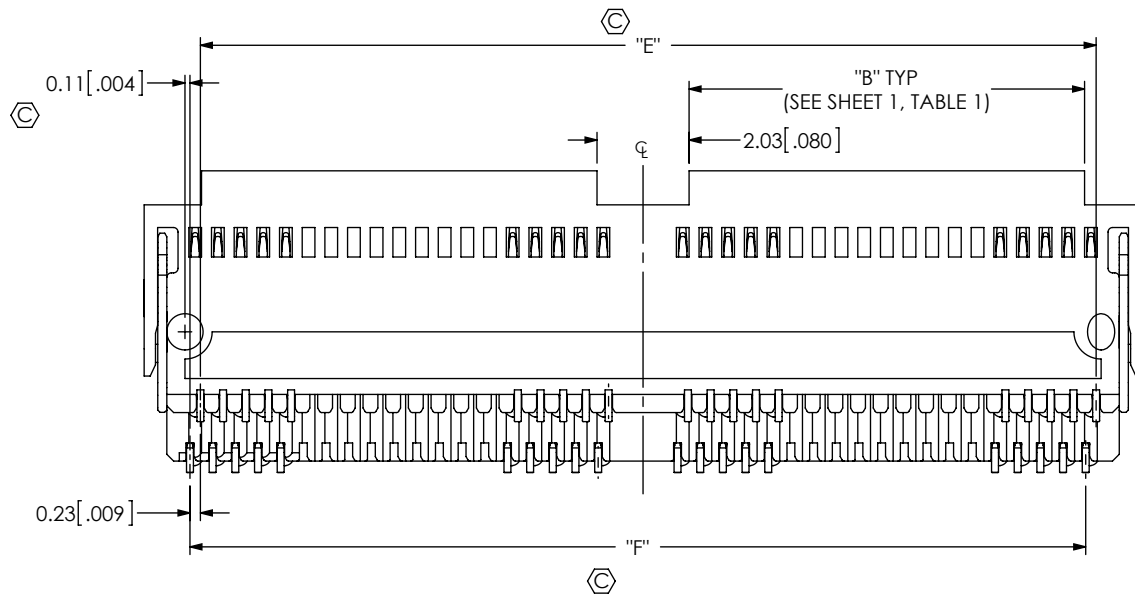
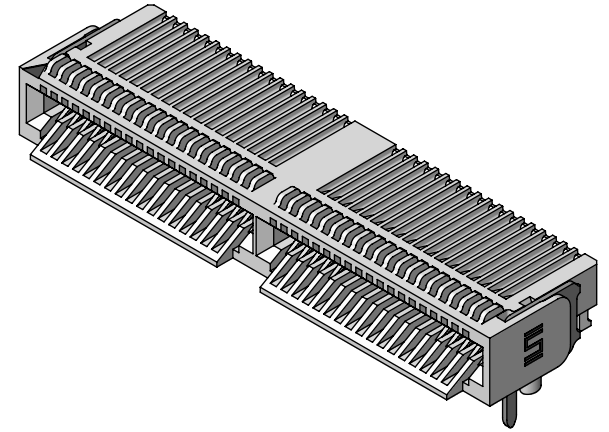
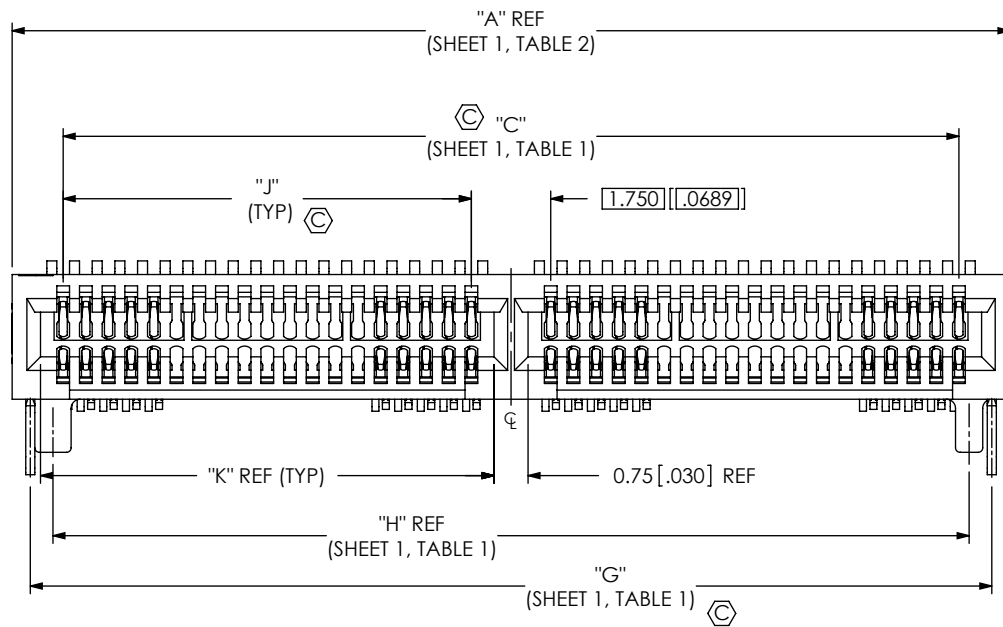
(* = NOT TOOLED)



<p>PROPRIETARY NOTE THIS DOCUMENT CONTAINS INFORMATION CONFIDENTIAL AND PROPRIETARY TO SAMTEC, INC. AND SHALL NOT BE REPRODUCED OR TRANSFERRED TO OTHER DOCUMENTS OR DISCLOSED TO OTHERS OR USED FOR ANY PURPOSE OTHER THAN THAT WHICH IT WAS OBTAINED WITHOUT THE EXPRESSED WRITTEN CONSENT OF SAMTEC, INC.</p> <p>DO NOT SCALE DRAWING</p> <p>SHEET SCALE: 16:1</p>		
	<p>520 PARK EAST BLVD, NEW ALBANY, IN 47150 PHONE: 812-944-6733 FAX: 812-948-5047 e-Mail: info@SAMTEC.com code 55322</p>	
	<p>DESCRIPTION: 0.5MM EDGE RATE SOCKET ASSEMBLY</p>	
	<p>DWG. NO. UEC5-XXX-1-X-D-RA-X-A</p>	
<p>BY: KNOWLDEN 9/10/2013</p>		<p>SHEET 2 OF 5</p>



<p>PROPRIETARY NOTE</p> <p>THIS DOCUMENT CONTAINS INFORMATION CONFIDENTIAL AND PROPRIETARY TO SAMTEC, INC. AND SHALL NOT BE REPRODUCED OR TRANSFERRED TO OTHER DOCUMENTS OR DISCLOSED TO OTHERS OR USED FOR ANY PURPOSE OTHER THAN THAT WHICH IT WAS OBTAINED WITHOUT THE EXPRESSED WRITTEN CONSENT OF SAMTEC, INC.</p> <p>DO NOT SCALE DRAWING</p> <p>SHEET SCALE: 12:1</p>	<p>520 PARK EAST BLVD, NEW ALBANY, IN 47150 PHONE: 812-944-6733 FAX: 812-948-5047 e-Mail: info@SAMTEC.com code 55322</p>
	<p>DESCRIPTION:</p> <p>0.5MM EDGE RATE SOCKET ASSEMBLY</p>
	<p>DWG. NO.</p> <p>UEC5-XXX-1-X-D-RA-X-A</p>
	<p>BY: KNOWLDEN 9/10/2013</p> <p>SHEET 3 OF 5</p>



No OF POS	"J"	"K"
-019	N/A	N/A
*-025	N/A	N/A
*-038	9.00 [0.354]	10.00 [0.394]
*-050	12.00 [0.472]	13.00 [0.512]

(* = NOT TOOLED)

FIG 2
 UEC5-038-1-X-D-RA-1-A SHOWN
 (DIFFERENT AS SHOWN, OTHERWISE SAME AS FIG 1)
 (SOME CENTER FEATURES REMOVED FOR CLARITY)
 (PP NOT SHOWN FOR CLARITY)
 (NOT TOOLED)

PROPRIETARY NOTE
 THIS DOCUMENT CONTAINS INFORMATION
 CONFIDENTIAL AND PROPRIETARY TO
 SAMTEC, INC. AND SHALL NOT BE REPRODUCED
 OR TRANSFERRED TO OTHER DOCUMENTS OR
 DISCLOSED TO OTHERS OR USED FOR ANY
 PURPOSE OTHER THAN THAT WHICH IT WAS
 OBTAINED WITHOUT THE EXPRESSED WRITTEN
 CONSENT OF SAMTEC, INC.

DO NOT SCALE DRAWING

SHEET SCALE: 6:1

samtec

520 PARK EAST BLVD, NEW ALBANY, IN 47150
 PHONE: 812-944-6733 FAX: 812-948-5047
 e-Mail info@SAMTEC.com code 55322

DESCRIPTION:
 0.5MM EDGE RATE SOCKET ASSEMBLY

DWG. NO.
 UEC5-XXX-1-X-D-RA-X-A

BY: KNOWLDEN 9/10/2013 SHEET 4 OF 5

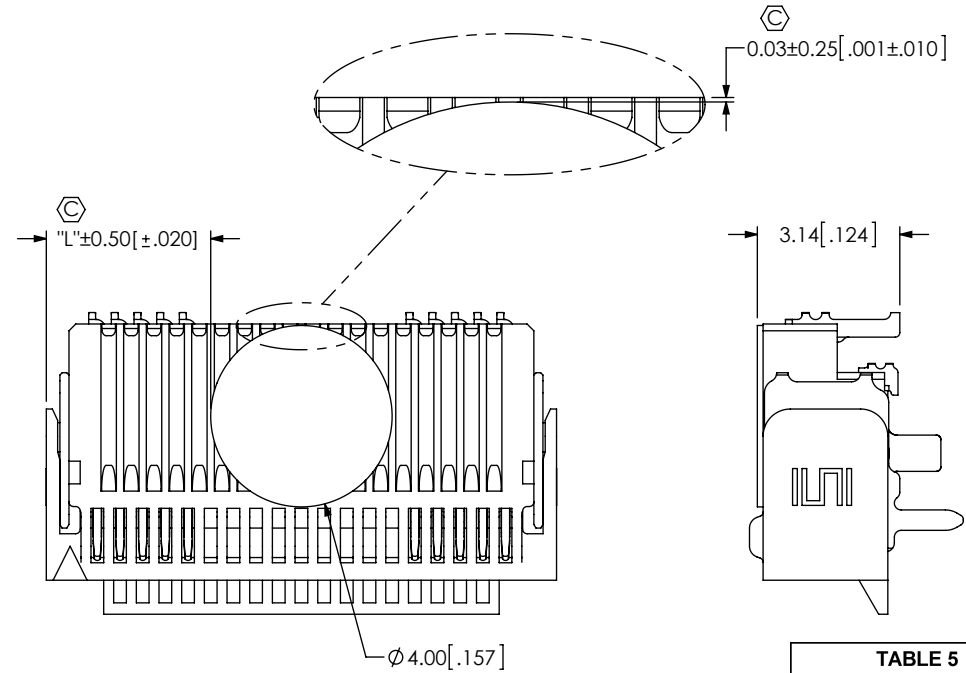
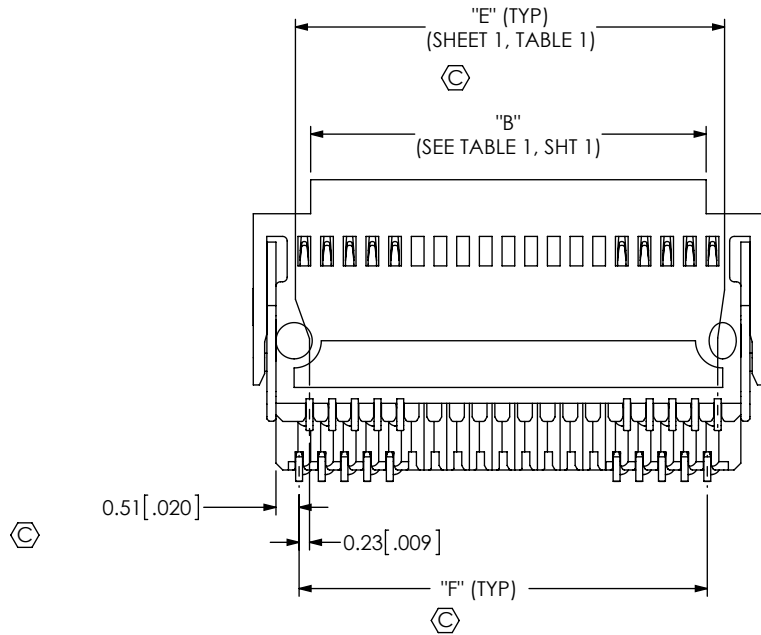
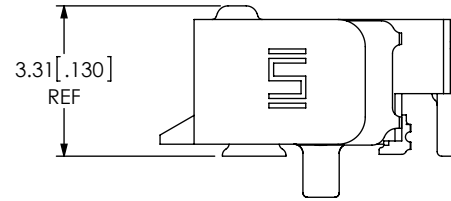
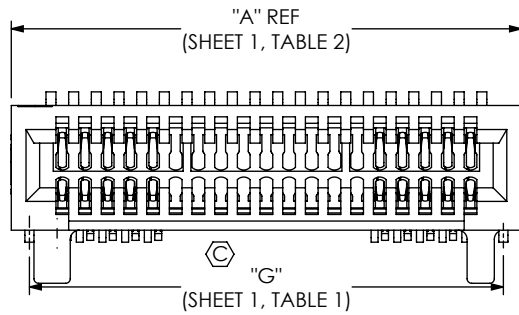


FIG 3
 UEC5-025-1-X-D-RA-2 SHOWN
 (NO ALIGNMENT PIN OPTION)
 (DIFFERENT AS SHOWN, OTHERWISE SAME AS FIG 1)
 (SOME CENTER FEATURES REMOVED FOR CLARITY)
 (PP NOT SHOWN FOR CLARITY)
 (NOT TOOLED)

FIG 4
 POLYIMIDE PAD
 UEC5-019-1-X-D-RA-X-A SHOWN
 (USE K-DOT-.157-.250-.005)
 (DIFFERENT AS SHOWN, OTHERWISE SAME AS FIG 1)
 (SOME CENTER FEATURES REMOVED FOR CLARITY)

No. OF POS	"L"
-019	3.62 [0.143]
*-025	5.12 [0.202]
*-038	9.00 [0.354]
*-050	12.00 [0.472]

(* = NOT TOOLED)

PROPRIETARY NOTE
 THIS DOCUMENT CONTAINS INFORMATION
 CONFIDENTIAL AND PROPRIETARY TO
 SAMTEC, INC. AND SHALL NOT BE REPRODUCED
 OR TRANSFERRED TO OTHER DOCUMENTS OR
 DISCLOSED TO OTHERS OR USED FOR ANY
 PURPOSE OTHER THAN THAT WHICH IT WAS
 OBTAINED WITHOUT THE EXPRESSED WRITTEN
 CONSENT OF SAMTEC, INC.

DO NOT SCALE DRAWING

SHEET SCALE: 6:1

samtec

520 PARK EAST BLVD, NEW ALBANY, IN 47150
 PHONE: 812-944-6733 FAX: 812-948-5047
 e-Mail info@SAMTEC.com code 55322

DESCRIPTION:
 0.5MM EDGE RATE SOCKET ASSEMBLY

DWG. NO.
 UEC5-XXX-1-X-D-RA-X-A

BY: KNOWLDEN 9/10/2013 SHEET 5 OF 5