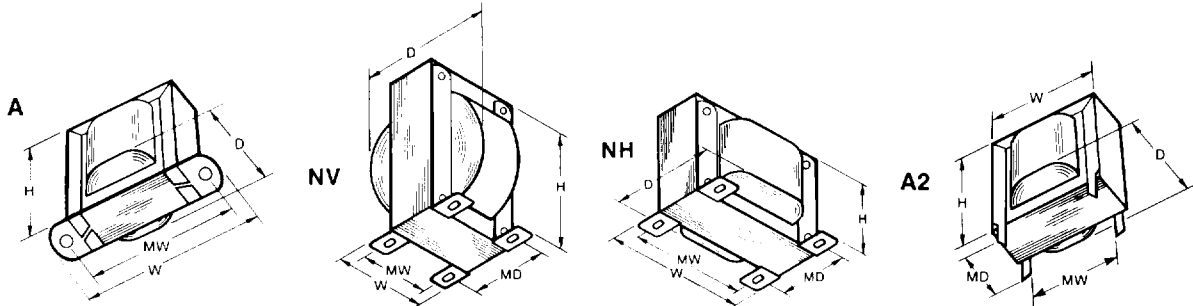


The Stancor line of "Smoothing" types of Filter Chokes has been designed for use with the various Power and Plate Transformers listed in this catalog. The range of electrical ratings available covers requirements for practically all of the Filter Chokes used in D.C. power supplies. In addition, a myriad of other electronic apparatus applications for these items exists.

Inductance values shown are measured at the full amount of D.C. listed and at the specified values of RMS Voltage and Frequency. All of these items are made with Class "A" insulating materials and will withstand operation up to a limit of 105°C., continuously.



SMOOTHING CHOKES: INDUCTANCE TOLERANCE — MINUS 15% PLUS 50% AT 10 VOLTS 60 Hz.

S E C T	STANCOR Part No.	Style	Inductance Henries	DCMA	D.C. Res. Ohms	Insul. Test RMS Volts*	Termination	Dimensions-Inches					Wt. Lbs.
								Case			Mounting		
								H	W	D	MW	MD	
A	C-2344	A	1.5	10	85	2500	Leads	1 1/4	2 1/8	1 1/8	1 3/4	—	.4
	C-1515	A	20.0	15	900	1500	Leads	1 3/8	2 7/8	1 3/8	2 3/8	—	.7
B	C-1706	A	4.5	50	300	1500	Leads	1 3/8	2 3/8	1 1/4	2	—	.5
	C-1707	A	7.0	50	550	1500	Leads	1 3/8	2 3/8	1 1/4	2	—	.5
C	C-1002	A	15.0	75	400	1500	Leads	2 3/8	3 3/4	2	3 1/8	—	1.7
D	C-1709	A	8.0	85	250	1500	Leads	2	3 1/4	1 7/8	2 13/16	—	1.4
	C-1001	A	10.5	110	225	3000	Leads	2 5/8	4	2 1/8	3 9/16	—	2.3
E	C-2303	A	2.5	130	100	2000	Leads	2	3 1/4	1 5/8	2 13/16	—	1.0
F	C-2327	A	1.5	200	85	1500	Leads	1 5/8	2 7/8	1 1/2	2 3/8	—	.7
G	C-2343	A	.75	300	32	1500	Leads	1 5/8	2 7/8	1 3/8	2 3/8	—	.7
	C-2334	A	2.8	300	60	1500	Leads	2 5/8	4	2 1/8	3 9/16	—	2.5
H	C-1722	NV	8.0	300	80	3000	Leads	4 9/16	3 3/4	3 7/16	3	2 1/2	7.3
	C-2347	A	1.0	350	40	1500	Leads	2	3 1/4	1 3/4	2 13/16	—	1.0
	C-2328	A	.8	375	25	1500	Leads	2 3/8	3 3/4	1 7/8	3 1/8	—	1.5
	C-2708	A	.32	600	10	1500	Leads	2	3 1/4	1 3/4	2 13/16	—	1.3

*Insulation Test Voltage: Twice Allowable RMS Working Voltage plus 1000 Volts.

HIGH CURRENT CHOKES: INDUCTANCE MEASURED AT 1 VOLT 60 Hz.

S E C T	STANCOR Part No.	Style	Inductance Millihenries	D.C. Amps	D.C. Res. Ohms	Insul. Test* RMS Volts	Termination	Dimensions-Inches					Wt. Lbs.
								Case			Mounting		
								H	W	D	MW	MD	
I	TC-1	A2	3	1.0	.25	1000	Leads	1 1/4	1 1/2	1 1/8	1 1/8	7/16	.3
	TC-2	A2	11	1.0	.75	1000	Leads	1 1/4	1 1/2	1 1/8	1 1/8	7/16	.3
J	C-2690	NV	300 or 75	1.0 2.0	3.00 .75	1500	Leads	3 7/16	2 13/16	3	2 1/4	2 5/8	5.0
	C-2685	NH	35	2.0	.75	1500	Leads	2 9/16	2 5/8	2 1/8	2 3/16	2	1.9
	C-2691	NV	80 or 20	2.5 5.0	.60 .15	1500	Leads	3 13/16	3 3/8	3 1/2	2 1/2	3	7.0
	C-2686	NH	25	4.0	.425	1500	Leads	2 7/8	3 3/8	2 5/8	2 13/16	2 1/8	3.4
	C-2687	NH	10	8.0	.15	1500	Leads	3 3/16	3 3/4	3 ²	3 1/8	2 1/2	5.3
	C-2688	NH	10	12.5	.11	1500	Leads	3 1/2	4 1/8	3 1/8 ²	3 7/16	2 3/8	5.9

Mounting foot depth — 2 1/16" O.A. *Mounting foot depth — 3 7/16" O.A.

MINIATURIZED HIGH CURRENT CHOKES: INDUCTANCE MEASURED AT 1 VOLT 60 Hz.

S E C T	STANCOR Part No.	Style	Inductance	D.C.	D.C. Res.	Insul. Test	Termination	H	W	D	MW	MD	Wt.
K	C-2722	A	400	.135	31.00	1500	Leads	1 1/4	2 1/8	1 1/8	1 3/4	—	.25
	C-2724	A	250	.275	16.00	1500	Leads	1 7/16	2 3/8	1 1/4	2	—	.35
	C-2728	A	75	1.000	2.50	1500	Leads	2	3 1/4	1 11/16	2 13/16	—	1.00

*Insulation Test Voltage: Twice Allowable RMS Working Voltage plus 1000 Volts.

The above listed "HIGH CURRENT CHOKES" are normally used in low voltage, high current D.C. power supply filter applications, where low voltage drop across the filter and good voltage regulation is required, without any type of voltage regulator.

The "MINIATURIZED HIGH CURRENT CHOKES" are primarily for use with the "Miniaturized Control/Rectifier Transformers" listed elsewhere

in this catalog. When used in small D.C. power supplies with these transformers, a combination of small physical size and adequate voltage regulation for many applications is possible, without a solid state voltage regulator.

These chokes are made with Class "A" insulating materials and may be operated up to a maximum limit of 105°C., continuously.