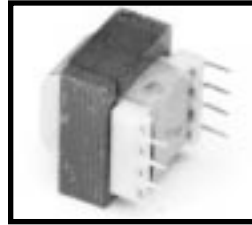


Side-Winder (SW)
Single Primary



Dual Side-Winder (DSW)
Dual Primary

All Single Primaries are 115V 50/60Hz, 6 Pins
All Dual Primaries are 115/230V 50/60Hz, 8 Pins

Sec.	STANCOR		AC/DC	Rated Output						DIMENSIONS - INCHES							Weight (lbs.)	Agency* Certif.		
	PART NUMBER	Primary Winding		Individual Volts	Individual mA	Series Volts	Series mA	Parallel Volts	Parallel mA	VA	H	W	L	MW	A	B			C	
A	SW-210	Single	AC	5.0	110	10.0 C.T.	110	5.0	220	1.1	0.94	1.13	1.38	-	0.25	0.25	1.20	0.17	UL/CSA	
	DSW-210	Dual	AC	5.0	110	10.0 C.T.	110	5.0	220	1.1	0.94	1.13	1.38	-	0.25	0.25	1.20	0.17	UL/CSA	
	SW-310	Single	AC	5.0	250	10.0 C.T.	250	5.0	500	2.5	1.19	1.13	1.38	-	0.25	0.25	1.20	0.25	UL/CSA	
	DSW-310	Dual	AC	5.0	250	10.0 C.T.	250	5.0	500	2.5	1.19	1.13	1.38	-	0.25	0.25	1.20	0.25	UL/CSA	
	SW-410	Single	AC	5.0	600	10.0 C.T.	600	5.0	1200	6.0	1.31	1.31	1.63	1.06	0.25	0.35	1.28	0.44	UL/CSA	
	DSW-410	Dual	AC	5.0	600	10.0 C.T.	600	5.0	1200	6.0	1.31	1.31	1.63	1.06	0.25	0.35	1.28	0.44	UL/CSA	
	SW-510	Single	AC	5.0	1200	10.0 C.T.	1200	5.0	2400	12.0	1.44	1.56	1.88	1.25	0.30	0.40	1.41	0.70	UL/CSA	
	DSW-510	Dual	AC	5.0	1200	10.0 C.T.	1200	5.0	2400	12.0	1.44	1.56	1.88	1.25	0.30	0.40	1.41	0.70	UL/CSA	
	SW-610	Single	AC	5.0	2000	10.0 C.T.	2000	5.0	4000	20.0	1.44	1.88	2.25	1.50	0.30	0.40	1.60	0.80	UL/CSA	
	DSW-610	Dual	AC	5.0	2000	10.0 C.T.	2000	5.0	4000	20.0	1.44	1.88	2.25	1.50	0.30	0.40	1.60	0.80	UL/CSA	
	B	SW-212	Single	AC	6.3	90	12.6 C.T.	90	6.3	180	1.1	0.94	1.13	1.38	-	0.25	0.25	1.20	0.17	UL/CSA
		DSW-212	Dual	AC	6.3	90	12.6 C.T.	90	6.3	180	1.1	0.94	1.13	1.38	-	0.25	0.25	1.20	0.17	UL/CSA
SW-312		Single	AC	6.3	200	12.6 C.T.	200	6.3	400	2.5	1.19	1.13	1.38	-	0.25	0.25	1.20	0.25	UL/CSA	
DSW-312		Dual	AC	6.3	200	12.6 C.T.	200	6.3	400	2.5	1.19	1.13	1.38	-	0.25	0.25	1.20	0.25	UL/CSA	
SW-412		Single	AC	6.3	500	12.6 C.T.	500	6.3	1000	6.0	1.31	1.31	1.63	1.06	0.25	0.35	1.28	0.44	UL/CSA	
DSW-412		Dual	AC	6.3	500	12.6 C.T.	500	6.3	1000	6.0	1.31	1.31	1.63	1.06	0.25	0.35	1.28	0.44	UL/CSA	
SW-512		Single	AC	6.3	1000	12.6 C.T.	1000	6.3	2000	12.0	1.44	1.56	1.88	1.25	0.30	0.40	1.41	0.70	UL/CSA	
DSW-512		Dual	AC	6.3	1000	12.6 C.T.	1000	6.3	2000	12.0	1.44	1.56	1.88	1.25	0.30	0.40	1.41	0.70	UL/CSA	
SW-612		Single	AC	6.3	1600	12.6 C.T.	1600	6.3	3200	20.0	1.44	1.88	2.25	1.50	0.30	0.40	1.60	0.80	UL/CSA	
DSW-612		Dual	AC	6.3	1600	12.6 C.T.	1600	6.3	3200	20.0	1.44	1.88	2.25	1.50	0.30	0.40	1.60	0.80	UL/CSA	
C		SW-216	Single	AC	8.0	70	16.0 C.T.	70	8.0	140	1.1	0.94	1.13	1.38	-	0.25	0.25	1.20	0.17	UL/CSA
		DSW-216	Dual	AC	8.0	70	16.0 C.T.	70	8.0	140	1.1	0.94	1.13	1.38	-	0.25	0.25	1.20	0.17	UL/CSA
	SW-316	Single	AC	8.0	150	16.0 C.T.	150	8.0	300	2.5	1.19	1.13	1.38	-	0.25	0.25	1.20	0.25	UL/CSA	
	DSW-316	Dual	AC	8.0	150	16.0 C.T.	150	8.0	300	2.5	1.19	1.13	1.38	-	0.25	0.25	1.20	0.25	UL/CSA	
	SW-416	Single	AC	8.0	400	16.0 C.T.	400	8.0	800	6.0	1.31	1.31	1.63	1.06	0.25	0.35	1.28	0.44	UL/CSA	
	DSW-416	Dual	AC	8.0	400	16.0 C.T.	400	8.0	800	6.0	1.31	1.31	1.63	1.06	0.25	0.35	1.28	0.44	UL/CSA	
	SW-516	Single	AC	8.0	800	16.0 C.T.	800	8.0	1600	12.0	1.44	1.56	1.88	1.25	0.30	0.40	1.41	0.70	UL/CSA	
	DSW-516	Dual	AC	8.0	800	16.0 C.T.	800	8.0	1600	12.0	1.44	1.56	1.88	1.25	0.30	0.40	1.41	0.70	UL/CSA	
	SW-616	Single	AC	8.0	1250	16.0 C.T.	1250	8.0	2500	20.0	1.44	1.88	2.25	1.50	0.30	0.40	1.60	0.80	UL/CSA	
	DSW-616	Dual	AC	8.0	1250	16.0 C.T.	1250	8.0	2500	20.0	1.44	1.88	2.25	1.50	0.30	0.40	1.60	0.80	UL/CSA	
	D	SW-220	Single	AC	10.0	55	20.0 C.T.	55	10.0	110	1.1	0.94	1.13	1.38	-	0.25	0.25	1.20	0.17	UL/CSA
		DSW-220	Dual	AC	10.0	55	20.0 C.T.	55	10.0	110	1.1	0.94	1.13	1.38	-	0.25	0.25	1.20	0.17	UL/CSA
SW-320		Single	AC	10.0	120	20.0 C.T.	120	10.0	240	2.5	1.19	1.13	1.38	-	0.25	0.25	1.20	0.25	UL/CSA	
DSW-320		Dual	AC	10.0	120	20.0 C.T.	120	10.0	240	2.5	1.19	1.13	1.38	-	0.25	0.25	1.20	0.25	UL/CSA	
SW-420		Single	AC	10.0	300	20.0 C.T.	300	10.0	600	6.0	1.31	1.31	1.63	1.06	0.25	0.35	1.28	0.44	UL/CSA	
DSW-420		Dual	AC	10.0	300	20.0 C.T.	300	10.0	600	6.0	1.31	1.31	1.63	1.06	0.25	0.35	1.28	0.44	UL/CSA	
SW-520		Single	AC	10.0	600	20.0 C.T.	600	10.0	1200	12.0	1.44	1.56	1.88	1.25	0.30	0.40	1.41	0.70	UL/CSA	
DSW-520		Dual	AC	10.0	600	20.0 C.T.	600	10.0	1200	12.0	1.44	1.56	1.88	1.25	0.30	0.40	1.41	0.70	UL/CSA	
SW-620		Single	AC	10.0	1000	20.0 C.T.	1000	10.0	2000	20.0	1.44	1.88	2.25	1.50	0.30	0.40	1.60	0.80	UL/CSA	
DSW-620		Dual	AC	10.0	1000	20.0 C.T.	1000	10.0	2000	20.0	1.44	1.88	2.25	1.50	0.30	0.40	1.60	0.80	UL/CSA	

* Agency Certification Note: UL Recognized (File E68100)
Size 2 & 3 - UL Class 2 & 3 available
CSA Certified (File LR67965)

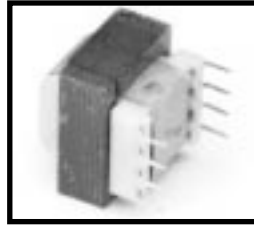
"Side-Winder" SW/DSW part numbers continued on page 30.
For schematic diagrams and outline drawings refer to page 32.



PRINTED CIRCUIT TRANSFORMERS

"Side-Winder" SW/DSW Series

Side-Winder (SW)
Single Primary



Dual Side-Winder (DSW)
Dual Primary

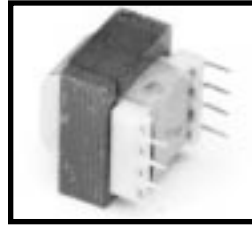
All Single Primaries are 115V 50/60Hz, 6 Pins
All Dual Primaries are 115/230V 50/60Hz, 8 Pins

STANCOR PART Sec.	Primary Winding	AC/DC	Rated Output							DIMENSIONS - INCHES							Weight (lbs.)	Agency* Certif.	
			Individual Volts	Individual mA	Series Volts	Series mA	Parallel Volts	Parallel mA	VA	H	W	L	MW	A	B	C			
A	SW-224	Single	AC	12.0	45	24.0 C.T.	45	12.0	90	1.1	0.94	1.13	1.38	-	0.25	0.25	1.20	0.17	UL/CSA
	DSW-224	Dual	AC	12.0	45	24.0 C.T.	45	12.0	90	1.1	0.94	1.13	1.38	-	0.25	0.25	1.20	0.17	UL/CSA
	SW-324	Single	AC	12.0	100	24.0 C.T.	100	12.0	200	2.5	1.19	1.13	1.38	-	0.25	0.25	1.20	0.25	UL/CSA
	DSW-324	Dual	AC	12.0	100	24.0 C.T.	100	12.0	200	2.5	1.19	1.13	1.38	-	0.25	0.25	1.20	0.25	UL/CSA
	SW-424	Single	AC	12.0	250	24.0 C.T.	250	12.0	500	6.0	1.31	1.31	1.63	1.06	0.25	0.35	1.28	0.44	UL/CSA
	DSW-424	Dual	AC	12.0	250	24.0 C.T.	250	12.0	500	6.0	1.31	1.31	1.63	1.06	0.25	0.35	1.28	0.44	UL/CSA
	SW-524	Single	AC	12.0	500	24.0 C.T.	500	12.0	1000	12.0	1.44	1.56	1.88	1.25	0.30	0.40	1.41	0.70	UL/CSA
	DSW-524	Dual	AC	12.0	500	24.0 C.T.	500	12.0	1000	12.0	1.44	1.56	1.88	1.25	0.30	0.40	1.41	0.70	UL/CSA
	SW-624	Single	AC	12.0	800	24.0 C.T.	800	12.0	1600	20.0	1.44	1.88	2.25	1.50	0.30	0.40	1.60	0.80	UL/CSA
	DSW-624	Dual	AC	12.0	800	24.0 C.T.	800	12.0	1600	20.0	1.44	1.88	2.25	1.50	0.30	0.40	1.60	0.80	UL/CSA
B	SW-228	Single	AC	14.0	40	28.0 C.T.	40	14.0	80	1.1	0.94	1.13	1.38	-	0.25	0.25	1.20	0.17	UL/CSA
	DSW-228	Dual	AC	14.0	40	28.0 C.T.	40	14.0	80	1.1	0.94	1.13	1.38	-	0.25	0.25	1.20	0.17	UL/CSA
	SW-328	Single	AC	14.0	85	28.0 C.T.	85	14.0	170	2.5	1.19	1.13	1.38	-	0.25	0.25	1.20	0.25	UL/CSA
	DSW-328	Dual	AC	14.0	85	28.0 C.T.	85	14.0	170	2.5	1.19	1.13	1.38	-	0.25	0.25	1.20	0.25	UL/CSA
	SW-428	Single	AC	14.0	200	28.0 C.T.	200	14.0	400	6.0	1.31	1.31	1.63	1.06	0.25	0.35	1.28	0.44	UL/CSA
	DSW-428	Dual	AC	14.0	200	28.0 C.T.	200	14.0	400	6.0	1.31	1.31	1.63	1.06	0.25	0.35	1.28	0.44	UL/CSA
	SW-528	Single	AC	14.0	420	28.0 C.T.	420	14.0	840	12.0	1.44	1.56	1.88	1.25	0.30	0.40	1.41	0.70	UL/CSA
	DSW-528	Dual	AC	14.0	420	28.0 C.T.	420	14.0	840	12.0	1.44	1.56	1.88	1.25	0.30	0.40	1.41	0.70	UL/CSA
	SW-628	Single	AC	14.0	700	28.0 C.T.	700	14.0	1400	20.0	1.44	1.88	2.25	1.50	0.30	0.40	1.60	0.80	UL/CSA
	DSW-628	Dual	AC	14.0	700	28.0 C.T.	700	14.0	1400	20.0	1.44	1.88	2.25	1.50	0.30	0.40	1.60	0.80	UL/CSA
C	SW-232	Single	AC	16.0	35	32.0 C.T.	35	16.0	70	1.1	0.94	1.13	1.38	-	0.25	0.25	1.20	0.17	UL/CSA
	DSW-232	Dual	AC	16.0	35	32.0 C.T.	35	16.0	70	1.1	0.94	1.13	1.38	-	0.25	0.25	1.20	0.17	UL/CSA
	SW-332	Single	AC	16.0	75	32.0 C.T.	75	16.0	150	2.5	1.19	1.13	1.38	-	0.25	0.25	1.20	0.25	UL/CSA
	DSW-332	Dual	AC	16.0	75	32.0 C.T.	75	16.0	150	2.5	1.19	1.13	1.38	-	0.25	0.25	1.20	0.25	UL/CSA
	SW-432	Single	AC	16.0	188	32.0 C.T.	188	16.0	376	6.0	1.31	1.31	1.63	1.06	0.25	0.35	1.28	0.44	UL/CSA
	DSW-432	Dual	AC	16.0	188	32.0 C.T.	188	16.0	376	6.0	1.31	1.31	1.63	1.06	0.25	0.35	1.28	0.44	UL/CSA
	SW-532	Single	AC	16.0	375	32.0 C.T.	375	16.0	750	12.0	1.44	1.56	1.88	1.25	0.30	0.40	1.41	0.70	UL/CSA
	DSW-532	Dual	AC	16.0	375	32.0 C.T.	375	16.0	750	12.0	1.44	1.56	1.88	1.25	0.30	0.40	1.41	0.70	UL/CSA
	SW-632	Single	AC	16.0	625	32.0 C.T.	625	16.0	1250	20.0	1.44	1.88	2.25	1.50	0.30	0.40	1.60	0.80	UL/CSA
	DSW-632	Dual	AC	16.0	625	32.0 C.T.	625	16.0	1250	20.0	1.44	1.88	2.25	1.50	0.30	0.40	1.60	0.80	UL/CSA
D	SW-236	Single	AC	18.0	30	36.0 C.T.	30	18.0	60	1.1	0.94	1.13	1.38	-	0.25	0.25	1.20	0.17	UL/CSA
	DSW-236	Dual	AC	18.0	30	36.0 C.T.	30	18.0	60	1.1	0.94	1.13	1.38	-	0.25	0.25	1.20	0.17	UL/CSA
	DSW-336	Dual	AC	18.0	65	36.0 C.T.	65	18.0	130	2.5	1.19	1.13	1.38	-	0.25	0.25	1.20	0.25	UL/CSA
	SW-336	Single	AC	18.0	65	36.0 C.T.	65	18.0	130	2.5	1.19	1.13	1.38	-	0.25	0.25	1.20	0.25	UL/CSA
	SW-436	Single	AC	18.0	170	36.0 C.T.	170	18.0	340	6.0	1.31	1.31	1.63	1.06	0.25	0.35	1.28	0.44	UL/CSA
	DSW-436	Dual	AC	18.0	170	36.0 C.T.	170	18.0	340	6.0	1.31	1.31	1.63	1.06	0.25	0.35	1.28	0.44	UL/CSA
	SW-536	Single	AC	18.0	350	36.0 C.T.	350	18.0	700	12.0	1.44	1.56	1.88	1.25	0.30	0.40	1.41	0.70	UL/CSA
	DSW-536	Dual	AC	18.0	350	36.0 C.T.	350	18.0	700	12.0	1.44	1.56	1.88	1.25	0.30	0.40	1.41	0.70	UL/CSA
	SW-636	Single	AC	18.0	550	36.0 C.T.	550	18.0	1100	20.0	1.44	1.88	2.25	1.50	0.30	0.40	1.60	0.80	UL/CSA
	DSW-636	Dual	AC	18.0	550	36.0 C.T.	550	18.0	1100	20.0	1.44	1.88	2.25	1.50	0.30	0.40	1.60	0.80	UL/CSA

* Agency Certification Note: UL Recognized (File E68100)
Size 2 & 3 - UL Class 2 & 3 available
CSA Certified (File LR67965)

"Side-Winder" SW/DSW part numbers continued on page 31.
For schematic diagrams and outline drawings refer to page 32.

Side-Winder (SW)
Single Primary



Dual Side-Winder (DSW)
Dual Primary

All Single Primaries are 115V 50/60Hz, 6 Pins
All Dual Primaries are 115/230V 50/60Hz, 8 Pins

STANCOR PART Sec.	Primary Winding	AC/DC	Rated Output						DIMENSIONS - INCHES							Weight (lbs.)	Agency* Certif.		
			Individual Volts	Individual mA	Series Volts	Series mA	Parallel Volts	Parallel mA	VA	H	W	L	MW	A	B			C	
A	SW-248	Single	AC	24.0	23	48.0 C.T.	23	24.0	46	1.1	0.94	1.13	1.38	-	0.25	0.25	1.20	0.17	UL/CSA
	DSW-248	Dual	AC	24.0	23	48.0 C.T.	23	24.0	46	1.1	0.94	1.13	1.38	-	0.25	0.25	1.20	0.17	UL/CSA
	SW-348	Single	AC	24.0	50	48.0 C.T.	50	24.0	100	2.5	1.19	1.13	1.38	-	0.25	0.25	1.20	0.25	UL/CSA
	DSW-348	Dual	AC	24.0	50	48.0 C.T.	50	24.0	100	2.5	1.19	1.13	1.38	-	0.25	0.25	1.20	0.25	UL/CSA
	SW-448	Single	AC	24.0	125	48.0 C.T.	125	24.0	250	6.0	1.31	1.31	1.63	1.06	0.25	0.35	1.28	0.44	UL/CSA
	DSW-448	Dual	AC	24.0	125	48.0 C.T.	125	24.0	250	6.0	1.31	1.31	1.63	1.06	0.25	0.35	1.28	0.44	UL/CSA
	SW-548	Single	AC	24.0	250	48.0 C.T.	250	24.0	500	12.0	1.44	1.56	1.88	1.25	0.30	0.40	1.41	0.70	UL/CSA
	DSW-548	Dual	AC	24.0	250	48.0 C.T.	250	24.0	500	12.0	1.44	1.56	1.88	1.25	0.30	0.40	1.41	0.70	UL/CSA
	SW-648	Single	AC	24.0	400	48.0 C.T.	400	24.0	800	20.0	1.44	1.88	2.25	1.50	0.30	0.40	1.60	0.80	UL/CSA
	DSW-648	Dual	AC	24.0	400	48.0 C.T.	400	24.0	800	20.0	1.44	1.88	2.25	1.50	0.30	0.40	1.60	0.80	UL/CSA
B	SW-256	Single	AC	28.0	20	56.0 C.T.	20	28.0	40	1.1	0.94	1.13	1.38	-	0.25	0.25	1.20	0.17	UL/CSA
	DSW-256	Dual	AC	28.0	20	56.0 C.T.	20	28.0	40	1.1	0.94	1.13	1.38	-	0.25	0.25	1.20	0.17	UL/CSA
	SW-356	Single	AC	28.0	45	56.0 C.T.	45	28.0	90	2.5	1.19	1.13	1.38	-	0.25	0.25	1.20	0.25	UL/CSA
	DSW-356	Dual	AC	28.0	45	56.0 C.T.	45	28.0	90	2.5	1.19	1.13	1.38	-	0.25	0.25	1.20	0.25	UL/CSA
	SW-456	Single	AC	28.0	110	56.0 C.T.	110	28.0	220	6.0	1.31	1.31	1.63	1.06	0.25	0.35	1.28	0.44	UL/CSA
	DSW-456	Dual	AC	28.0	110	56.0 C.T.	110	28.0	220	6.0	1.31	1.31	1.63	1.06	0.25	0.35	1.28	0.44	UL/CSA
	SW-556	Single	AC	28.0	220	56.0 C.T.	220	28.0	440	12.0	1.44	1.56	1.88	1.25	0.30	0.40	1.41	0.70	UL/CSA
	DSW-556	Dual	AC	28.0	220	56.0 C.T.	220	28.0	440	12.0	1.44	1.56	1.88	1.25	0.30	0.40	1.41	0.70	UL/CSA
	SW-656	Single	AC	28.0	350	56.0 C.T.	350	28.0	700	20.0	1.44	1.88	2.25	1.50	0.30	0.40	1.60	0.80	UL/CSA
	DSW-656	Dual	AC	28.0	350	56.0 C.T.	350	28.0	700	20.0	1.44	1.88	2.25	1.50	0.30	0.40	1.60	0.80	UL/CSA
C	SW-2120	Single	AC	60.0	10	120.0 C.T.	10	60.0	20	1.1	0.94	1.13	1.38	-	0.25	0.25	1.20	0.17	UL/CSA
	DSW-2120	Dual	AC	60.0	10	120.0 C.T.	10	60.0	20	1.1	0.94	1.13	1.38	-	0.25	0.25	1.20	0.17	UL/CSA
	SW-3120	Single	AC	60.0	20	120.0 C.T.	20	60.0	40	2.5	1.19	1.13	1.38	-	0.25	0.25	1.20	0.25	UL/CSA
	DSW-3120	Dual	AC	60.0	20	120.0 C.T.	20	60.0	40	2.5	1.19	1.13	1.38	-	0.25	0.25	1.20	0.25	UL/CSA
	SW-4120	Single	AC	60.0	50	120.0 C.T.	50	60.0	100	6.0	1.31	1.31	1.63	1.06	0.25	0.35	1.28	0.44	UL/CSA
	DSW-4120	Dual	AC	60.0	50	120.0 C.T.	50	60.0	100	6.0	1.31	1.31	1.63	1.06	0.25	0.35	1.28	0.44	UL/CSA
	SW-5120	Single	AC	60.0	100	120.0 C.T.	100	60.0	200	12.0	1.44	1.56	1.88	1.25	0.30	0.40	1.41	0.70	UL/CSA
	DSW-5120	Dual	AC	60.0	100	120.0 C.T.	100	60.0	200	12.0	1.44	1.56	1.88	1.25	0.30	0.40	1.41	0.70	UL/CSA
	SW-6120	Single	AC	60.0	160	120.0 C.T.	160	60.0	320	20.0	1.44	1.88	2.25	1.50	0.30	0.40	1.60	0.80	UL/CSA
	DSW-6120	Dual	AC	60.0	160	120.0 C.T.	160	60.0	320	20.0	1.44	1.88	2.25	1.50	0.30	0.40	1.60	0.80	UL/CSA

* Agency Certification Note: UL Recognized (File E68100)
Size 2 & 3 – UL Class 2 & 3 available
CSA Certified (File LR67965)

For schematic diagrams and outline drawings refer to page 32.



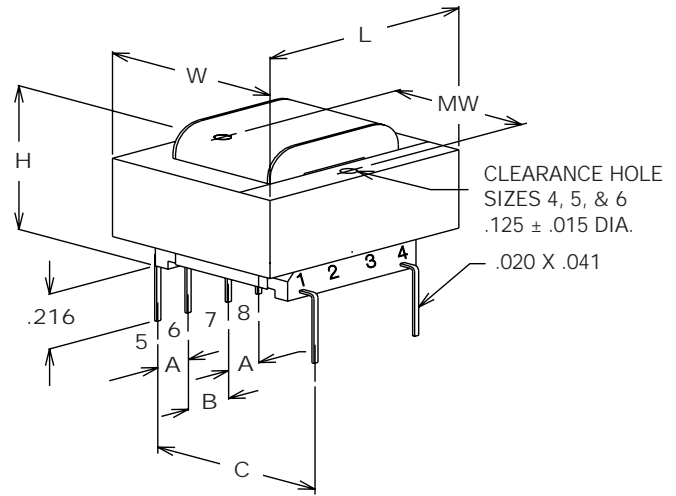
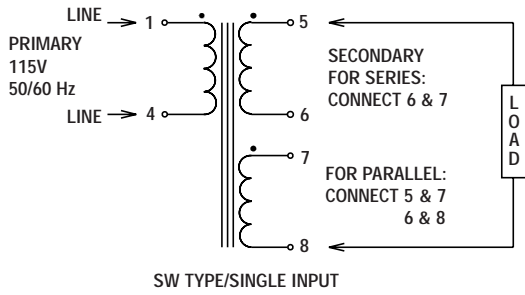
White-Rodgers • Emerson Electric Co.
9797 Reavis Road • St. Louis, MO 63123
(314) 865-8799 • Fax (314) 638-2400



STANCOR

"Side-Winder" SW/DSW Series

"Side-Winder" SW Series



"Side-Winder" DSW Series

