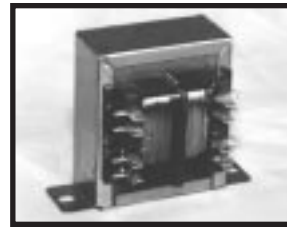
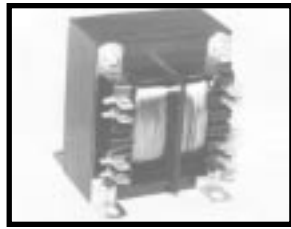


TransGlobal® Chassis Mount
(VA ≥ 80 VA)
Style NV with lugs



TransGlobal® Chassis Mount
(VA ≤ 43 VA)
Style S with lugs



Designed for single input and single output use only,
and requires simultaneous use of all windings.

STANCOR PART Sec. NUMBER	Primary Voltage	VA	Secondary RMS Rating				DIMENSIONS-INCHES							Weight (lbs.)	Agency* Certif.
			Series Volts	Amps	Parallel Volts	Amps	Style	H	W	D	MW	MD	C		
A	TGC25-10	115/230	25	10.0 C.T. @ 2.50	5.0 @ 5.00	S	2.38	2.81	1.94	2.38	-	0.31	.187	1.3	TUV/UL/CSA
	TGC43-10	115/230	43	10.0 C.T. @ 4.30	5.0 @ 8.60	S	2.75	3.25	1.94	2.81	-	0.31	.187	1.8	TUV/UL/CSA
	TGC80-10	115/230	80	10.0 C.T. @ 8.00	5.0 @ 16.00	NV	3.00	2.50	2.38	2.00	2.19	0.31	.187	2.9	TUV/UL/CSA
	TGC130-10	115/230	130	10.0 C.T. @ 13.00	5.0 @ 26.00	NV	3.38	2.81	2.88	2.25	2.50	0.38	.250	4.5	TUV/UL/CSA
	TGC175-10	115/230	175	10.0 C.T. @ 17.50	5.0 @ 35.00	NV	3.75	3.13	2.88	2.50	2.50	0.38	.250	5.6	TUV/UL/CSA
B	TGC25-12	115/230	25	12.6 C.T. @ 2.00	6.3 @ 4.00	S	2.38	2.81	1.94	2.38	-	0.31	.187	1.3	TUV/UL/CSA
	TGC43-12	115/230	43	12.6 C.T. @ 3.40	6.3 @ 6.80	S	2.75	3.25	1.94	2.81	-	0.31	.187	1.8	TUV/UL/CSA
	TGC80-12	115/230	80	12.6 C.T. @ 6.30	6.3 @ 12.60	NV	3.00	2.50	2.38	2.00	2.19	0.31	.187	2.9	TUV/UL/CSA
	TGC130-12	115/230	130	12.6 C.T. @ 10.30	6.3 @ 20.60	NV	3.38	2.81	2.88	2.25	2.50	0.38	.250	4.5	TUV/UL/CSA
	TGC175-12	115/230	175	12.6 C.T. @ 14.00	6.3 @ 28.00	NV	3.75	3.13	2.88	2.50	2.50	0.38	.250	5.6	TUV/UL/CSA
C	TGC25-16	115/230	25	16.0 C.T. @ 1.60	8.0 @ 3.20	S	2.38	2.81	1.94	2.38	-	0.31	.187	1.3	TUV/UL/CSA
	TGC43-16	115/230	43	16.0 C.T. @ 2.70	8.0 @ 5.40	S	2.75	3.25	1.94	2.81	-	0.31	.187	1.8	TUV/UL/CSA
	TGC80-16	115/230	80	16.0 C.T. @ 5.00	8.0 @ 10.00	NV	3.00	2.50	2.38	2.00	2.19	0.31	.187	2.9	TUV/UL/CSA
	TGC130-16	115/230	130	16.0 C.T. @ 8.10	8.0 @ 16.20	NV	3.38	2.81	2.88	2.25	2.50	0.38	.250	4.5	TUV/UL/CSA
	TGC175-16	115/230	175	16.0 C.T. @ 11.00	8.0 @ 22.00	NV	3.75	3.13	2.88	2.50	2.50	0.38	.250	5.6	TUV/UL/CSA
D	TGC25-20	115/230	25	20.0 C.T. @ 1.25	10.0 @ 2.50	S	2.38	2.81	1.94	2.38	-	0.31	.187	1.3	TUV/UL/CSA
	TGC43-20	115/230	43	20.0 C.T. @ 2.20	10.0 @ 4.40	S	2.75	3.25	1.94	2.81	-	0.31	.187	1.8	TUV/UL/CSA
	TGC80-20	115/230	80	20.0 C.T. @ 4.00	10.0 @ 8.00	NV	3.00	2.50	2.38	2.00	2.19	0.31	.187	2.9	TUV/UL/CSA
	TGC130-20	115/230	130	20.0 C.T. @ 6.50	10.0 @ 13.00	NV	3.38	2.81	2.88	2.25	2.50	0.38	.250	4.5	TUV/UL/CSA
	TGC175-20	115/230	175	20.0 C.T. @ 8.80	10.0 @ 17.60	NV	3.75	3.13	2.88	2.50	2.50	0.38	.250	5.6	TUV/UL/CSA
E	TGC25-24	115/230	25	24.0 C.T. @ 1.00	12.0 @ 2.00	S	2.38	2.81	1.94	2.38	-	0.31	.187	1.3	TUV/UL/CSA
	TGC43-24	115/230	43	24.0 C.T. @ 1.80	12.0 @ 3.60	S	2.75	3.25	1.94	2.81	-	0.31	.187	1.8	TUV/UL/CSA
	TGC80-24	115/230	80	24.0 C.T. @ 3.30	12.0 @ 6.60	NV	3.00	2.50	2.38	2.00	2.19	0.31	.187	2.9	TUV/UL/CSA
	TGC130-24	115/230	130	24.0 C.T. @ 5.40	12.0 @ 10.80	NV	3.38	2.81	2.88	2.25	2.50	0.38	.250	4.5	TUV/UL/CSA
	TGC175-24	115/230	175	24.0 C.T. @ 7.30	12.0 @ 14.60	NV	3.75	3.13	2.88	2.50	2.50	0.38	.250	5.6	TUV/UL/CSA
F	TGC25-28	115/230	25	28.0 C.T. @ 0.90	14.0 @ 1.80	S	2.38	2.81	1.94	2.38	-	0.31	.187	1.3	TUV/UL/CSA
	TGC43-28	115/230	43	28.0 C.T. @ 1.50	14.0 @ 3.00	S	2.75	3.25	1.94	2.81	-	0.31	.187	1.8	TUV/UL/CSA
	TGC80-28	115/230	80	28.0 C.T. @ 2.80	14.0 @ 5.60	NV	3.00	2.50	2.38	2.00	2.19	0.31	.187	2.9	TUV/UL/CSA
	TGC130-28	115/230	130	28.0 C.T. @ 4.60	14.0 @ 9.20	NV	3.38	2.81	2.88	2.25	2.50	0.38	.250	4.5	TUV/UL/CSA
	TGC175-28	115/230	175	28.0 C.T. @ 6.25	14.0 @ 12.50	NV	3.75	3.13	2.88	2.50	2.50	0.38	.250	5.6	TUV/UL/CSA
G	TGC25-36	115/230	25	36.0 C.T. @ 0.70	18.0 @ 1.40	S	2.38	2.81	1.94	2.38	-	0.31	.187	1.3	TUV/UL/CSA
	TGC43-36	115/230	43	36.0 C.T. @ 1.20	18.0 @ 2.40	S	2.75	3.25	1.94	2.81	-	0.31	.187	1.8	TUV/UL/CSA
	TGC80-36	115/230	80	36.0 C.T. @ 2.20	18.0 @ 4.40	NV	3.00	2.50	2.38	2.00	2.19	0.31	.187	2.9	TUV/UL/CSA
	TGC130-36	115/230	130	36.0 C.T. @ 3.60	18.0 @ 7.20	NV	3.38	2.81	2.88	2.25	2.50	0.38	.250	4.5	TUV/UL/CSA
	TGC175-36	115/230	175	36.0 C.T. @ 4.80	18.0 @ 9.60	NV	3.75	3.13	2.88	2.50	2.50	0.38	.250	5.6	TUV/UL/CSA
H	TGC25-230	115/230	25	230.0 C.T. @ 0.11	115.0 @ 0.22	S	2.38	2.81	1.94	2.38	-	0.31	.187	1.3	TUV/UL/CSA
	TGC43-230	115/230	43	230.0 C.T. @ 0.19	115.0 @ 0.38	S	2.75	3.25	1.94	2.81	-	0.31	.187	1.8	TUV/UL/CSA
	TGC80-230	115/230	80	230.0 C.T. @ 0.35	115.0 @ 0.70	NV	3.00	2.50	2.38	2.00	2.19	0.31	.187	2.9	TUV/UL/CSA
	TGC130-230	115/230	130	230.0 C.T. @ 0.57	115.0 @ 1.14	NV	3.38	2.81	2.88	2.25	2.50	0.38	.250	4.5	TUV/UL/CSA
	TGC175-230	115/230	175	230.0 C.T. @ 0.76	115.0 @ 1.52	NV	3.75	3.13	2.88	2.50	2.50	0.38	.250	5.6	TUV/UL/CSA

* Agency Certification Note: UL recognized to UL 506 (UL File #E173993)
CSA certified to C22.2 #66 (UL File #E173993)
TUV certified to EN60950 & EN60742
(TUV Certificate #B 98 06 33156 001)

For outline drawings refer to page 22.



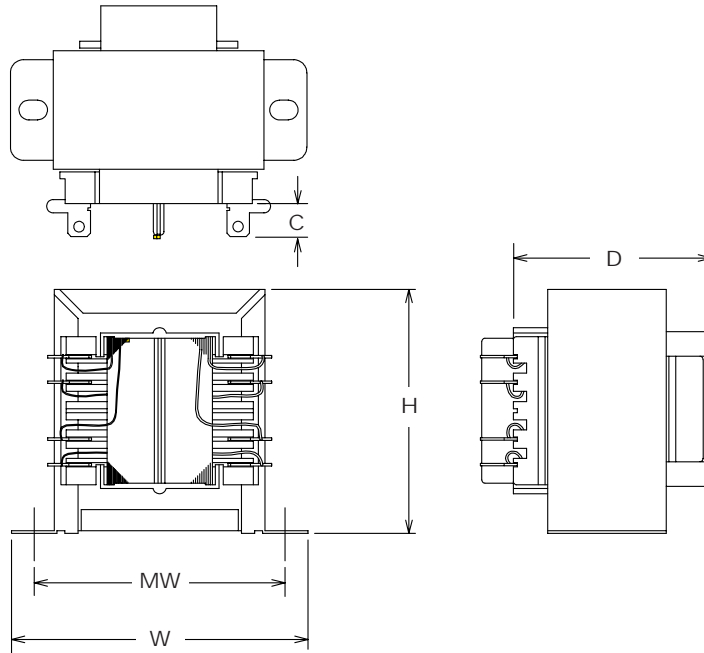
White-Rodgers • Emerson Electric Co.
9797 Reavis Road • St. Louis, MO 63123
(314) 865-8799 • Fax (314) 638-2400



STANCOR

TransGlobal Chassis Mount Transformers

Style S
TGC25, TGC43



Style NV
TGC80, TGC130, TGC175

