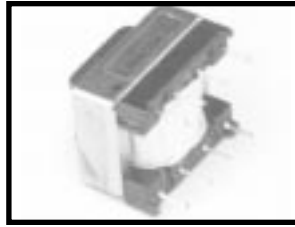


Telephone Coupling Transformer



Sec.	STANCOR PART NUMBER	Schematic Number	Style	Impedance		D.C. Curr. mA.	Insertion Losses db Max @1K Hz	Primary DCR	DIMENSIONS-INCHES						Weight (oz.)	Agency Certif.
				Primary ± 15%	Secondary ± 10%				W	L	H	A*	B**	C		
A	TTPC-1	2	A	600 C.T.	600 C.T.	0	1.4	44	0.781	0.650	0.740	-	.187	0.421	0.6	-
	TTPC-2	1	B	600	600	0	1.2	46	0.781	0.650	0.490	-	.145	0.530	0.5	-
	TTPC-3	2	B	600 C.T.	600 C.T.	0	1.2	46	0.781	0.650	0.490	-	.145	0.530	0.5	-
	TTPC-5	6	B	4000	600	0	1.5	365	0.781	0.650	0.490	-	.145	0.530	0.5	-
B	TTPC-6	3	A	600	600 C.T.	90	1.8	71	0.815	0.650	0.750	-	.187	0.421	1.0	-
	TTPC-7	1	A	600	600	0	1.2	36	0.781	0.650	0.740	-	.187	0.421	0.6	-
	TTPC-8	2	A	600 C.T.	600 C.T.	0	1.2	36	0.781	0.650	0.740	-	.187	0.421	0.6	-
	TTPC-9	4	A	600	600/600	0	1.2	47	1.040	0.958	0.859	-	.200	0.781	1.0	-
C	TTPC-11	6	A	4000	600	0	1.2	225	0.781	0.650	0.740	-	.187	0.421	0.6	-
	TTPC-13	5	C	600	600 C.T. Split	90	1.8	73	0.815	0.750	0.625	.150	.200	0.500	0.5	-
	TTPC-13B	5	E	600	600 C.T. Split	90	1.8	73	1.010	0.890	0.650	.150	.200	0.500	0.8	-
	TTPC-14	7 & 8	D	600	600 C.T. Split	80	1.1	74	1.650	1.370	0.660	.200	.250	1.000	2.5	-
	TTPC-15	9	D	600	600	80	1.1	60	1.650	1.370	0.660	.200	.250	1.000	2.5	-

- Maximum Operating Temperature 105°C
- Dielectric Strength 1500 VRMS
- Maximum distortion 0.5% at 300-3.5K Hz
- Frequency Response ± 0.5db 300-3.5K Hz
- Longitudinal Balance:
60db Min @ 200-1K Hz
40db Min @ 4K Hz

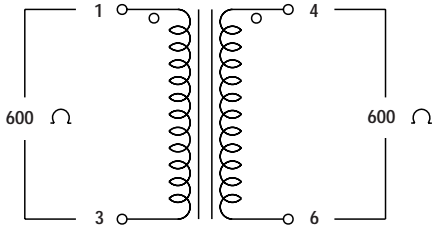
- * Pin 1 to 2 only.
- ** Typical dimension pin to pin.

For schematic diagrams refer to page 38.
For outline drawings refer to page 39.

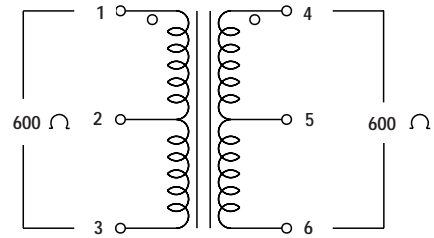


Telephone Coupling

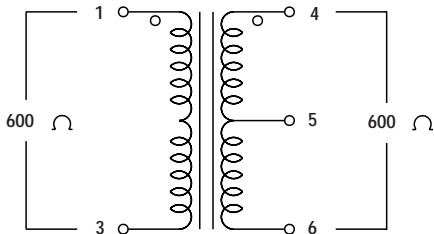
Schematic 1 (TTPC-Series)



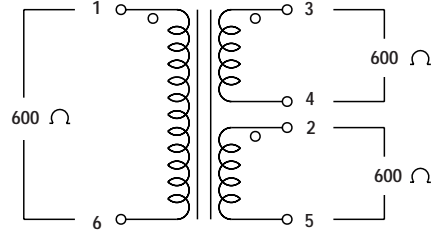
Schematic 2 (TTPC-Series)



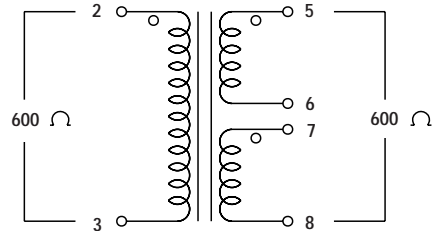
Schematic 3 (TTPC-Series)



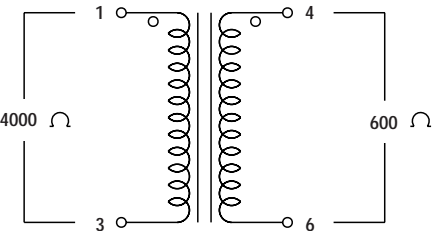
Schematic 4 (TTPC-Series)



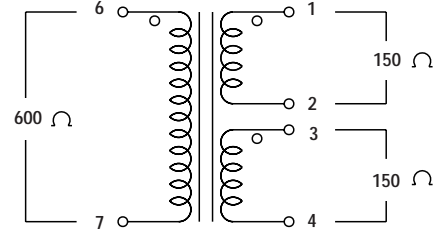
Schematic 5 (TTPC-Series)



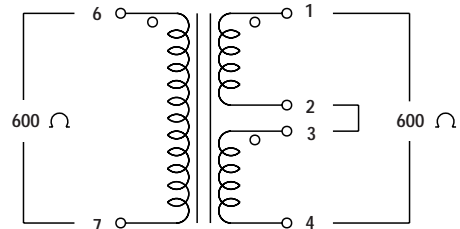
Schematic 6 (TTPC-Series)



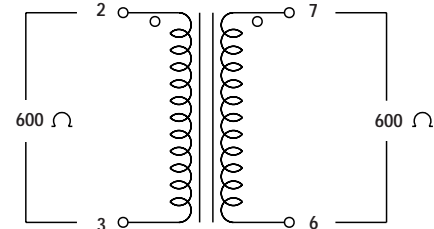
Schematic 7 (TTPC-Series)



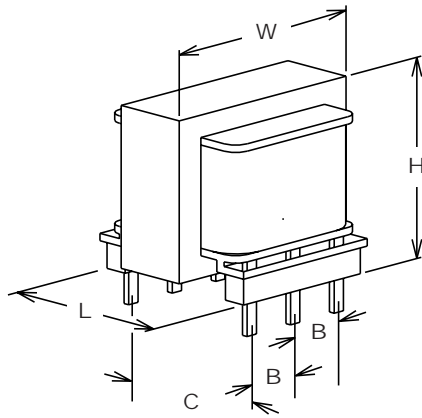
Schematic 8 (TTPC-Series)



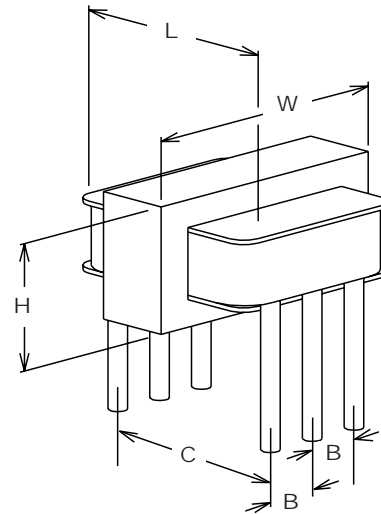
Schematic 9 (TTPC-Series)



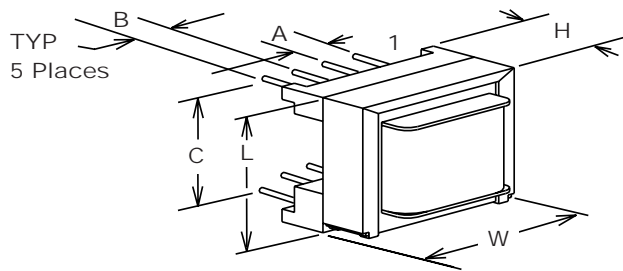
Style A (TTPC-Series)



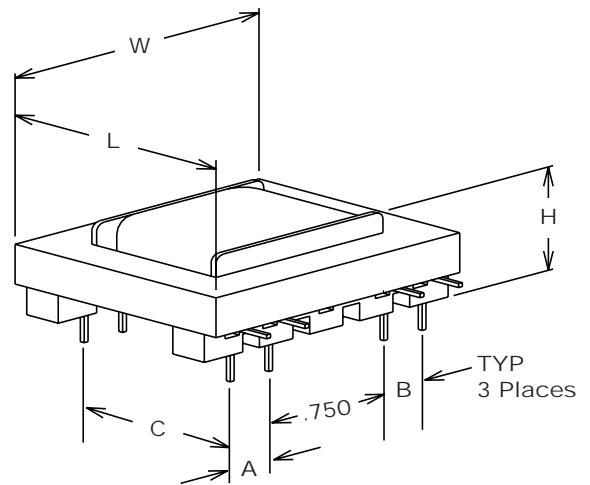
Style B (TTPC-Series)



Style C (TTPC-Series)



Style D (TTPC-Series)



Style E (TTPC-Series)

