

RED INDICATES ORIGINAL

UNLESS OTHERWISE SPECIFIED, ALL DIMENSIONS ARE IN INCHES.
 DATA CONTAINED IN THIS DOCUMENT IS PROPRIETARY TO TROMPETER ELECTRONICS, INC. AND SHALL NOT BE DISCLOSED, COPIED OR USED FOR REPRODUCTION OR MANUFACTURE WITHOUT EXPRESS WRITTEN PERMISSION.

REV		ED	DESCRIPTION	DWN	APPROVED	DATE
J	11191		ADDED CJ70TL, -201 THRU -220; ADDED ITEM 34; SEE ECO	DKC	<i>Emi fa</i>	12-01

P2 CONN TYPE	FIG NO	P1 CONN TYPE																			
		BJ20					UBJ20					BJ40					UBJ40				
		E1	E2	E3	E4	E5	E1	E2	E3	E4	E5	E1	E2	E3	E4	E5	E1	E2	E3	E4	E5
DASH NUMBERS																					
BJ74	1A	-1	-2	-3	-4	-169	-5	-6	-7	-8	-170	-9	-10	-11	-12	-171	-13	-14	-15	-16	-172
BJ74TL	1A	-17	-18	-19	-20	-173	-21	-22	-23	-24	-174	-25	-26	-27	-28	-175	-29	-30	-31	-32	-176
BJ74FL	1A	-33	-34	-35	-36	-177	-37	-38	-39	-40	-178	-41	-42	-43	-44	-179	-45	-46	-47	-48	-180
BJ374	1B	-49	-50	-51	-52	-181	-53	-54	-55	-56	-182	-57	-58	-59	-60	-183	-61	-62	-63	-64	-184
BJ79	2A	-65	-66	-67	-68	-185	-69	-70	-71	-72	-186	-73	-74	-75	-76	-187	-77	-78	-79	-80	-188
BJ79TL	2A	-81	-82	-83	-84	-189	-85	-86	-87	-88	-190	-89	-90	-91	-92	-191	-93	-94	-95	-96	-192
BJ79FL	2A	-97	-98	-99	-100	-193	-101	-102	-103	-104	-194	-105	-106	-107	-108	-195	-109	-110	-111	-112	-196
BJ379	2B	-113	-114	-115	-116	-197	-117	-118	-119	-120	-198	-121	-122	-123	-124	-199	-125	-126	-127	-128	-200
CJ70	3A	-129	-130	-131	-132	-133	-134	-135	-136	-137	-138	-139	-140	-141	-142	-143	-144	-145	-146	-147	-148
CJ370	3B	-149	-150	-151	-152	-153	-154	-155	-156	-157	-158	-159	-160	-161	-162	-163	-164	-165	-166	-167	-168
CJ70TL	3A	-201	-202	-203	-204	-205	-206	-207	-208	-209	-210	-211	-212	-213	-214	-215	-216	-217	-218	-219	-220

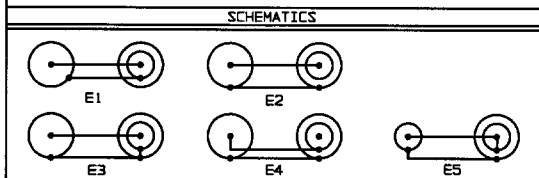
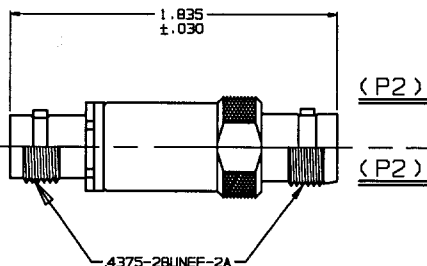
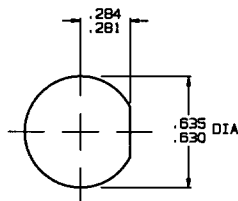


FIG 3A (P1)
 -129 SHOWN
 -159 SHOWN
 FIG 3B (P2)

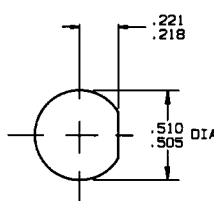


INCH	MM
.005	0.13
.030	0.76
.109	2.77
.140	3.56
.218	5.54
.221	5.61
.281	7.14
.284	7.21
.505	12.83
.510	12.95
.593	15.06
.625	15.88
.830	18.00
.835	16.13
.687	17.45
.750	19.05
.800	20.32
1.835	46.61

- △ FOR OPTIONAL GROUND TERMINAL ADD PREFIX *G* TO DASH NO (-G) ETC)
- BETWEEN SERIES ADAPTER, 50 & 75 OHM BNC/TNC COAXIAL JACK TO CONCENTRIC TWINAX/TRIAX INSULATED & NONINSULATED BULKHEAD MOUNT JACK
 - FINISH: TFS-1A (NICKEL)
 - ALL DIM ARE IN INCHES



RECOMMENDED PANEL CUTOUT FOR -1 THRU -64 MAX PNL THK .140



RECOMMENDED PANEL CUTOUT FOR -65 THRU -128 MAX PNL THK .160

FIG 1A (P1)
 -1 SHOWN
 -57 SHOWN
 FIG 1B (P1)

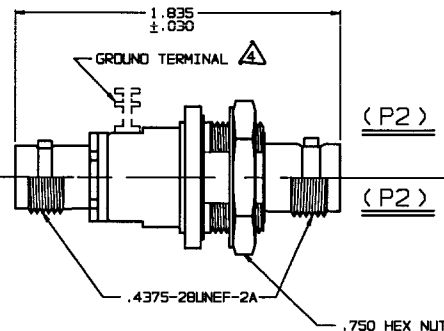
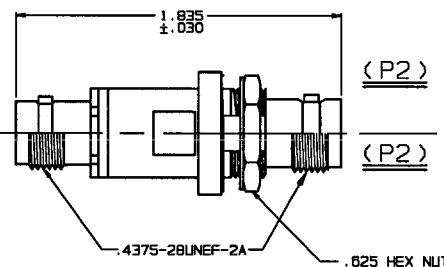


FIG 2A (P1)
 -65 SHOWN
 -121 SHOWN
 FIG 2B (P1)



QTY	DESCRIPTION	PART NUMBER	ITEM
TOL UNLESS SPECIFIED .XX ± .XXX ± .005 XXXXX ANGLES	TROMPETER ELECTRONICS, INC.	ADAPTERS: U/BJ20/40 TO *70* SERIES BULKHEAD MOUNT	
DWN DKC 8-1-95	MATERIAL	CODE IDENT	DRAWING NO.
ENGR <i>BM</i> 10-4-75		14949	12-01
APPR <i>EM</i> 10/11/75	SCALE 2/1	DATE 8/17/85	SHEET 1 OF 2