



**T&B Catalog Number:**  
**UPC Number:**  
**Description:**

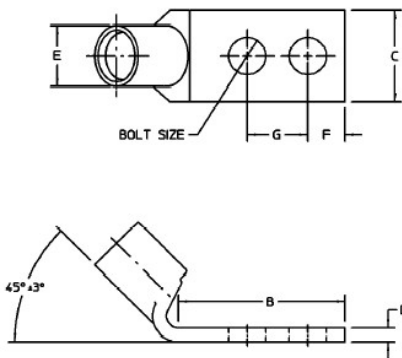
**54210UF0412**

78621017664

Copper Two-Hole Lug - 45 degree Standard Barrel - max 35KV, 2/0 AWG Wire, 1/4" Bolt Size, 3/4" Hole Spacing, Tin Plated with Inspection Hole, Black 45

**Status:**

Active



### General

Material	Copper
Finish	Tin Plated
Wire Size	2/0 AWG
Number of Studs	2
Stud Size	1/4
Bolt Hole Spacing	3/4
Tongue Angle	45
Barrel Length	Standard
Barrel Shape	Standard
Tongue Width	Standard
Peep Hole	Y
Marking	Standard
Hole Shape	Round
Die Color	Black
Die Code	45

### Packaging

T&B Order Multiple	10
T&B Inner Pack	10
Package in Units	100
T&B Sold in UOM	Each
T&B Weight Per UOM	10.1 lbs. per 100

### Application Support

Overview	Available on Website
Connector & Tooling Chart	Available on Website

### Notes

Dimensions given for reference only. Dimensions may vary up to +/- .030.

### Certifications

RoHS Compliance	Yes
-----------------	-----

### Certifications

File Nbr:

E9809

**For further technical assistance, please contact us...**

Thomas & Betts - USA  
 8155 T&B Blvd.  
 Memphis, TN 38125  
 www.tnb.com

T&B Technical Support  
 MS 3B-50  
 8155 T&B Blvd.  
 Memphis, TN 38125

Hours: 7AM - 6PM CDT  
 Monday-Friday  
 Phone: (888) 862-3289  
 Fax: (901) 252-1321  
 Email: techsupport@tnb.com