



### Two Hole Lugs—90° Long Barrel for 600V to 35 kV Applications

Material: High Conductivity Wrought Copper

Finish: Electro Tin Plate

Wire Size <sup>1</sup>		Cat. No.	Bolt Size G	Dimensions (in.)						Die Code	Colour Key
Code	Flex			B	C	D	E	F	H		
#14-10 <sup>2</sup>		256-31426-3SPHUB	#10	1 1/4	3/8	1/16	13/64	7/32	5/8-3/4	N/A	N/A
		256-30695-1298UB	1/4	1 7/32	1/2	1/16	13/64	1/4	5/8	N/A	N/A
		256-30695-1055UB	1/4	1 5/16	1/2	1/8	3/8	1/4	5/8 or 3/4	29	Grey
#8	#8 37/24	54850BEUB	1/4	1 3/16	15/32	1/16	17/64	1/4	5/8	21	Red
		54851BEUB	1/4	1 17/64	15/32	1/16	17/64	1/4	3/4	21	Red
		54851BEUB0612	3/8	2	37/64	1/16	17/64	3/8	3/4	21	Red
#6	#6 61/24	54852BEUB	1/4	1 9/32	27/64	5/64	19/64	1/4	5/8	24	Blue
		54852BEUB0418	1/4	1 7/8	37/64	5/64	19/64	1/4	1	24	Blue
		54852BEUB0412	1/4	1 5/16	7/16	5/64	19/64	1/4	3/4	24	Blue
		54852BEUB0616	3/8	2	37/64	5/64	19/64	3/8	1	24	Blue
		54852BEUB0828	1/2	2 7/8	3/4	5/64	19/64	5/8	1 3/4	24	Blue
#4	#4 91/24	54854BEUB	1/4	1 3/16	9/16	3/32	23/64	1/4	5/8	29	Grey
		54854BEUB0412	1/4	1 5/16	9/16	3/32	23/64	1/4	3/4	29	Grey
		54854BEUB0416	1/4	1 7/8	37/64	3/32	23/64	3/8	1	29	Grey
		54854BEUB0516	5/16	1 3/4	9/16	3/32	23/64	11/32	1	29	Grey
		54854BEUB0616	3/8	2	37/64	3/32	23/64	3/8	1	29	Grey
		54854BEUB0828	1/2	2 7/8	3/4	3/32	23/64	5/8	2	29	Grey
#2	125/24	54858BEUB0416	1/4	1 7/8	43/64	3/32	13/32	3/8	1	33	Brown
		54855BEUB	1/4	1 15/16	43/64	7/64	13/32	3/8	2	33	Brown
		54855BEUB0412	1/4	1 11/32	43/64	7/64	13/32	1/4	1	33	Brown
		54856BEUB	5/16	1 5/8	37/64	7/64	13/32	3/8	3/4	33	Brown
		54810BEUB	3/8	2 39/64	43/64	7/64	13/32	3/8	1 3/4	33	Brown
		54810BEUB0616	3/8	2	43/64	3/32	13/32	3/8	1	33	Brown
		54811BEUB	1/2	2 57/64	25/32	3/32	13/32	5/8	1 3/4	33	Brown
#1	#2 150/24 175/24	54809BEUB	1/4	1 37/64	43/64	7/64	15/32	3/8	5/8	37	Green
		54812BEUB	1/4	1 45/64	43/64	7/64	15/32	1/4	3/4	37	Green
		54858BEUB	5/16	1 5/8	43/64	7/64	15/32	3/8	7/8	37	Green
		54857BEUB0616	3/8	2	43/64	7/64	15/32	3/8	1	37	Green
		54857BEUB	1/2	2 63/64	3/4	3/32	15/32	5/8	1 3/4	37	Green
#1/0	225/24	54859BEUB0416	1/4	1 7/8	3/4	1/8	17/32	3/8	1	42	Pink
		54859BEUB0416PH	1/4	1 7/8	3/4	1/8	17/32	3/8	1	42	Pink
		54859BEUB	1/4	1 15/64	3/4	1/8	33/64	1/4	5/8	42	Pink
		54813BEUB	1/4	1 23/64	3/4	1/8	33/64	1/4	3/4	42	Pink
		54860BEUB	5/16	1 5/8	3/4	1/8	17/32	3/8	7/8	42	Pink
		54860BEUB0616	3/8	2	3/4	1/8	17/32	3/8	1	42	Pink
		54860BEUB0828	1/2	2 7/8	3/4	1/8	17/32	5/8	1 3/4	42	Pink

Can be used for 600V to 35kV applications provided proper insulation techniques are used.

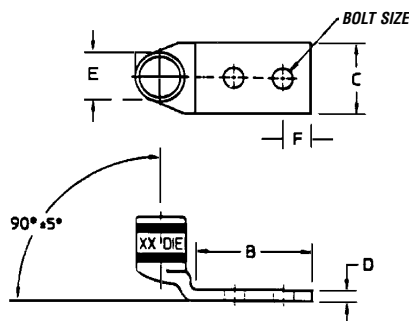
U.L. and C.S.A. listing of T&B connectors is a continual process; please call your Regional Sales Office for the latest listings.

Many tongue sizes are available undrilled; please call your Regional Sales Office for availability.

<sup>1</sup> Call your Regional Sales Office for sizes not listed.

<sup>2</sup> #14-#10 AWG must be crimped with the «C» nest when using the ERG2002 hand tool.

For tool and die selection see pages 60-61.



# Color-Keyed®

## Connectors for Copper Cables — Code and Flex



### Two Hole Lugs—90° Long Barrel for 600V to 35 kV Applications (continued)

Material: High Conductivity Wrought Copper

Finish: Electro Tin Plate

Wire Size <sup>1</sup>		Cat. No.	Bolt Size G	Dimensions (in.)						Die Code	Colour Key
Code	Flex			B	C	D	E	F	H		
2/0	1/0 275/24	54814BEUB	1/4	1 15/64	53/64	1/8	17/32	1/4	5/8	45	Black
		54814BEUB0412	1/4	1 5/16	13/16	1/8	17/32	1/4	3/4	45	Black
		54862BEUB0616	3/8	1 13/16	13/16	1/8	17/32	3/8	1	45	Black
		54862BEUB0616PH	3/8	1 13/16	13/16	1/8	17/32	3/8	1	45	Black
		54862BEUB	1/2	2 15/16	53/64	1/8	17/32	5/8	1 3/4	45	Black
3/0	2/0 325/24	54815BEUB	1/4	2 7/8	15/16	1/8	5/8	1/4	3/4	50	Orange
		54816BEUB	3/8	2 7/8	15/16	1/8	5/8	1/4	1	50	Orange
		54864BEUB	1/2	2 7/8	15/16	1/8	5/8	5/8	1 3/4	50	Orange
4/0	3/0 450/24	54817BEUB	1/4	1 5/16	1 1/32	9/64	45/64	1/4	3/4	54	Purple
		54818BEUB	3/8	1 9/16	1 1/32	9/64	45/64	3/8	3/4	54	Purple
		54818BEUB0616	3/8	1 7/8	1 3/32	9/64	45/64	3/8	1	54	Purple
		54818BEUB0616PH	3/8	1 7/8	1 3/32	9/64	45/64	3/8	1	54	Purple
		54866BEUB	1/2	3	1 1/32	9/64	45/64	1/2	1 3/4	54	Purple
250 MCM	4/0 550/24	54868BEUB0616	3/8	2	1 1/8	9/64	49/64	3/8	1	62	Yellow
		54868BEUB0616PH	3/8	2	1 1/8	9/64	49/64	3/8	1	62	Yellow
		54868BEUB	1/2	2 63/64	1 3/32	9/64	49/64	5/8	1 3/4	62	Yellow
300 MCM		54819BEUB	3/8	2 25/32	1 1/4	5/32	27/32	3/8	1	66	White
		54870BEUB	1/2	2 63/64	1 1/4	5/32	27/32	1/2	1 3/4	66	White
350 MCM	262 650/24	54820BEUB	1/4	1 29/32	1 23/64	11/64	59/64	1/4	3/4	71	Red
		54872BEUB0616	3/8	1 13/16	1 23/64	11/64	15/16	3/8	1	71	Red
		54872BEUB0616PH	3/8	1 13/16	1 23/64	11/64	15/16	3/8	1	71	Red
		54872BEUB	1/2	2 63/64	1 23/64	11/64	59/64	1/2	1 3/4	71	Red
400 MCM	313 775/24	54822BEUB	1/4	1 29/32	1 13/32	11/64	61/64	1/4	3/4	76	Blue
		54821BEUB	3/8	2 25/32	1 13/32	11/64	61/64	3/8	1	76	Blue
		54874BEUB	1/2	2 63/64	1 13/32	11/64	61/64	1/2	1 3/4	76	Blue
500 MCM	350/373 925/24	54823BEUB	1/4	1 29/32	1 39/64	7/32	1 3/32	1/4	3/4	87	Brown
		54876BEUB0616	3/8	1 15/16	1 5/8	7/32	1 3/32	3/8	1	87	Brown
		54876BEUB0616PH	3/8	1 15/16	1 5/8	7/32	1 3/32	3/8	1	87	Brown
		54876BEUB	1/2	2 63/64	1 39/64	7/32	1 3/32	1/2	1 3/4	87	Brown
600 MCM	444 1100/24	54824BEUB	3/8	2 25/32	1 3/4	1/4	1 13/64	3/8	1	94	Green
		54878BEUB	1/2	2 63/64	1 3/4	1/4	1 13/64	1/2	1 3/4	94	Green
750 MCM		54880BEUB0616	3/8	3	1 15/16	1/4	1 3/8	1/2	1	106	Black
		54880BEUB0616PH	3/8	3	1 15/16	1/4	1 3/8	1/2	1	106	Black
		54880BEUB	1/2	2 63/64	1 15/16	1/4	1 3/8	1/2	1 3/4	106	Black
646	1600/24	58884BEUB	1/2	2 63/64	1 31/32	19/64	1 11/32	5/8	1 3/4	106	Black
900 MCM	750/777 1925/24	58826BEUB	1/2	2 63/64	2 11/64	5/16	1 1/2	1/2	1 3/4	115	Yellow

Can be used for 600V to 35kV applications provided proper insulation techniques are used.

U.L. and C.S.A. listing of T&B connectors is a continual process;

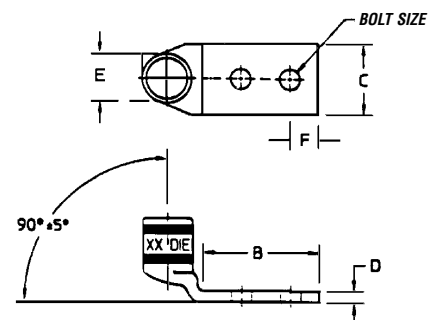
please call your Regional Sales Office for the latest listings.

Many tongue sizes are available undrilled;

please call your Regional Sales Office for availability.

<sup>1</sup> Call your Regional Sales Office for sizes not listed.

For tool and die selection see pages 60-61.



### Two Hole Lugs—90° Long Barrel for 600V to 35 kV Applications (continued)



Material: High Conductivity Wrought Copper

Finish: Electro Tin Plate

Wire Size <sup>1</sup>		Cat. No.	Bolt Size G	Dimensions (in.)						Die Code	Colour Key
Code	Flex			B	C	D	E	F	H		
<b>1000</b>		54826BEUB	3/8	2 25/32	2 17/64	19/64	1 35/64	3/8	1	125	N/A
<b>MCM</b>		54882BEUB	1/2	2 63/64	2 17/64	19/64	1 35/64	1/2	1 3/4	125	N/A

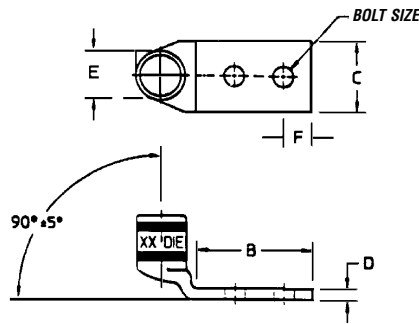
Can be used for 600V to 35kV applications provided proper insulation techniques are used.

U.L. and C.S.A. listing of T&B connectors is a continual process; please call your Regional Sales Office for the latest listings.

Many tongue sizes are available undrilled; please call your Regional Sales Office for availability.

<sup>1</sup> Call your Regional Sales Office for sizes not listed.

For tool and die selection see pages 60-61.



COMPRESSION CONNECTORS

# Color-Keyed®

## Connectors for Copper Cables — Code and Flex



### Two-Way Splice Connectors — Short Barrel for 600V to 35 kV Applications

Material: High Conductivity Wrought Copper

Finish: Electro Tin Plate

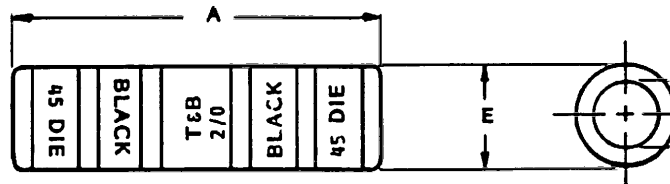
Code	Wire Size*		Cat. No.	Dimension (in.)		Die Code	Colour Key
		Flex		A	E		
#8	#8	(37/24)	54504	1	9/32	21	Red
#6	#6	(61/24)	54505	1	5/16	24	Blue
#4	#4	(91/24)	54506	1	23/64	29	Grey
#2		125/24	54507	1 1/4	13/32	33	Brown
#1	#2	(150/24)	54508	1 7/16	15/32	37	Green
		175/24					
1/0		225/24	54509	1 9/16	17/32	42	Pink
2/0	1/0	(275/24)	54510	1 11/16	37/64	45	Black
3/0	2/0	(325/24)	54511	1 11/16	5/8	50	Orange
		375/24	53962	1 13/16	45/64	50	Orange
4/0	3/0,	450/24	54512	1 13/16	45/64	54	Purple
250MCM			54513	2 1/4	49/64	62	Yellow
	4/0	(550/24)	53964	2 1/8	27/32	62	Yellow
300MCM			54514	2	27/32	66	White
350MCM			54515	2 1/4	15/16	71	Red
400MCM			54516	2 3/4	31/32	76	Blue
500MCM			54518	2 3/4	1 3/32	87	Brown
	444,	1100/24	53968	3	1 3/16	87	Brown
600MCM			54520	3	1 3/16	94	Green
700MCM			54522-TB	3 1/4	1 1/4	99	Pink
	500	(1325/24), 535	53969	3	1 1/4	99	Pink
750MCM			54523-TB	3	1 21/64	106	Black
1000MCM			54528	3 4/7	1 35/64	125	N/A

Can be used for 600V to 35kV applications provided proper insulation techniques are used.

U.L. and C.S.A. listing of T&B connectors is a continual process; please call your Regional Sales Office for the latest listings.

\*Call your Regional Sales Office for sizes not listed.

For tool and die selection see pages 60-61.



Two-way connectors provide high pullout values, are easy to insulate, and provide a low resistance connection of high quality and low installed cost.



### Two-Way Splice Connectors — Long Barrel for 600V to 35 kV Applications

Material: High Conductivity Wrought Copper

Finish: Electro Tin Plate

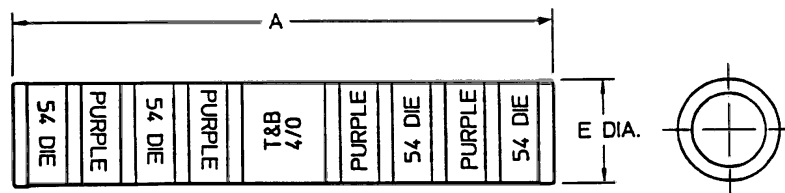
Code	Wire Size*		Cat. No.	Dimension (in.)		Die Code	Colour Key
	Flex			A	E		
#8	#8 (37/24)		54804	1 3/4	1/4	21	Red
#6	#6 (61/24)		54805	1 3/4	9/32	24	Blue
#4	#4 (91/24)		54806	1 3/4	23/64	29	Grey
#2	125/24		54807	1 7/8	13/32	33	Brown
#1	#2 (150/24)		54808	2	15/32	37	Green
	175/24						
/0	225/24		54809	2	17/32	42	Pink
2/0	1/0 (275/24)		54810	2 1/8	37/64	45	Black
3/0	2/0 (325/24)		54811	2 1/4	5/8	50	Orange
4/0	450/24		54812	2 3/4	45/64	54	Purple
250MCM	4/0 (550/24)		54813	3 3/8	49/64	62	Yellow
300MCM			54814	3 1/2	27/32	66	White
350MCM	650/24		54815	3 3/4	15/16	71	Red
400MCM	775/24		54816	3 3/4	31/32	76	Blue
500MCM	350 (925/24)		54818	4 3/4	1 3/32	87	Brown
600MCM	1100/24		54820	4 1/4	1 3/16	94	Green
750MCM	500 (1325/24)		54823	4 3/4	1 21/64	106	Black
900MCM	750 (1925/24)		58526	5 5/8	1 1/2	115	Yellow
1000MCM			54828	5 5/8	1 35/64	125	N/A

Can be used for 600V to 35kV applications provided proper insulation techniques are used.

U.L. and C.S.A. listing of T&B connectors is a continual process; please call your Regional Sales Office for the latest listings.

\*Call your Regional Sales Office for sizes not listed.

For tool and die selection see pages 60-61.



COMPRESSION CONNECTORS

# Color-Keyed® Connectors for Copper Cables — Code and Flex

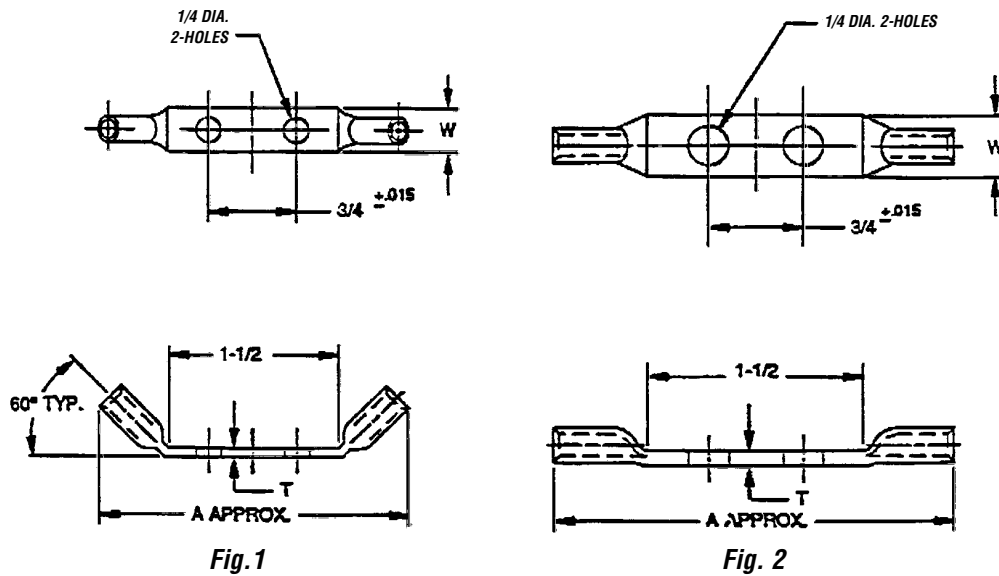


## Two Barrel Lugs for 600V to 35 kV Applications

Material: High Conductivity Wrought Copper  
Finish: Electro Tin Plate

Wire Size		Cat. No.	Bolt Size	Fig. No.	Dimensions (in.)			Die Code	Colour Key
Code	Flex				A	W	T		
6	61/24	256-30695-828	1/4	1	2 <sup>15</sup> / <sub>16</sub>	7/16	1/16	24	Blue
6	61/24	256-30695-1227	1/4	2	3 <sup>3</sup> / <sub>8</sub>	7/16	1/16	24	Blue

Can be used for 600V to 35kV applications provided proper insulation techniques are used.  
For tool and die selection see pages 60-61.



COMPRESSION CONNECTORS