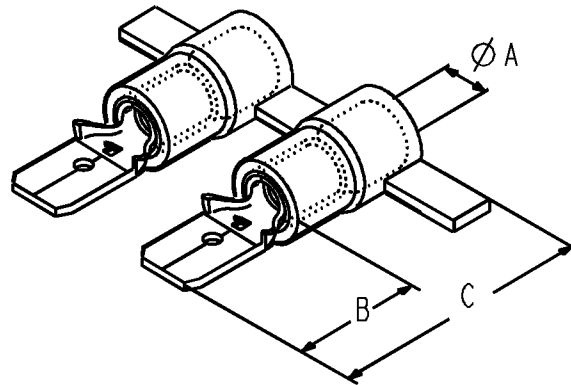




# T&B Sta-Kon



CATALOG No.	DESCRIPTION	Ø A	B	C	REEL QTY
RA250T-PS	22-16 MALE TAB DISCONNECT .250 X .032	.157	.433	.866	2500
RB250T-PS	16-14 MALE TAB DISCONNECT .250 X .032	.177	.433	.866	2500
RC250T-PS	12-10 MALE TAB DISCONNECT .250 X .032	.252	.433	.945	2000

MATERIALS:  
 TERMINAL - BRASS  
 INSULATOR - NYLON

CRIMP TOOLING:  
 BENCH PRESS - EBP22-10

FINISH:  
 TIN PLATED

APPLICATORS:  
 RED 22-16 AWG - RAH22-16  
 BLUE 16-14 AWG - BAH16-14  
 YELLOW 12-10 AWG - YAH12-10

RATINGS:  
 TEMPERATURE - 105°C  
 VOLTAGE - 600V

STRIP LENGTH:  
 RED 22-16 = .250  
 BLUE 16-14 = .250  
 YELLOW 12-10 = .312

### GENERAL NOTES

- ALL DIMENSIONS ARE FOR REFERENCE ONLY.
- DIMENSIONS IN BRACKETS [ ] ARE IN METRIC UNITS.

### REVISIONS

0 SEE ERN ( \*\*\*\*\* )  
 FOR APPROVAL SIGNATURES  
 & RELEASE DATE.  
 PROJECT NO:

**Thomas & Betts**  
 www.tnb.com

DESCRIPTION:

**NYLON DISCONNECTS,  
 PLASTIC STRIP TERMINALS**

ORIGINAL PROJECT NO / ( ERN NO )

**TM401332 / ( 2008318 )**

SHEET NO:

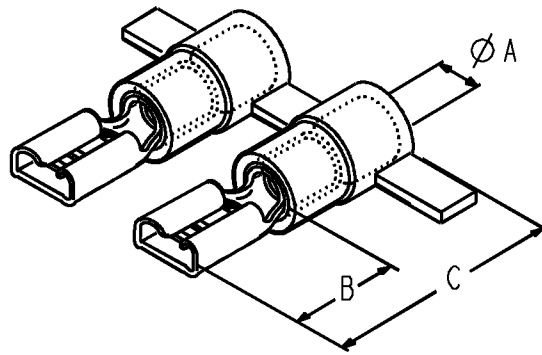
**1 OF 3**

REV. NO:

**0**

DRAWING NO:

**WSD-000348**



CATALOG No.	DESCRIPTION	ØA	B	C	QTY
RA111D-PS	22-16 FEMALE DISCONNECT .110 X .020	.157	.339	.772	2500
RA110D-PS	22-16 FEMALE DISCONNECT .110 X .032	.157	.339	.772	2500
RB111D-PS	16-14 FEMALE DISCONNECT .110 X .020	.177	.339	.772	2500
RB110D-PS	16-14 FEMALE DISCONNECT .110 X .032	.177	.339	.772	2500
RA188D-PS	22-16 FEMALE DISCONNECT .187 X .020	.157	.354	.787	2500
RA187D-PS	22-16 FEMALE DISCONNECT .187 X .032	.157	.354	.787	2500
RA250D-PS	22-16 FEMALE DISCONNECT .250 X .032	.157	.413	.846	2500
RB188D-PS	16-14 FEMALE DISCONNECT .187 X .020	.177	.354	.787	2500
RB187D-PS	16-14 FEMALE DISCONNECT .187 X .032	.177	.354	.787	2500
RB250D-PS	16-14 FEMALE DISCONNECT .250 X .032	.177	.413	.846	2500
RC250D-PS	12-10 FEMALE DISCONNECT .250 X .032	.252	.413	.925	2000

MATERIALS:  
 TERMINAL - BRASS  
 INSULATOR - NYLON

FINISH:  
 TIN PLATED

RATINGS:  
 TEMPERATURE - 105°C  
 VOLTAGE - 600V

- \* CRIMP TOOLING:  
 BENCH PRESS - EBP22-10
- \* APPLICATORS:  
 RED 22-16 AWG - RAH22-16  
 BLUE 16-14 AWG - BAH16-14  
 YELLOW 12-10 AWG - YAH12-10
- \* STRIP LENGTH:  
 RED 22-16 = .250  
 BLUE 16-14 = .250  
 YELLOW 12-10 = .312

**Thomas & Betts**  
 www.tnb.com

DESCRIPTION:

**NYLON DISCONNECTS,  
 PLASTIC STRIP TERMINALS**

SHEET NO:

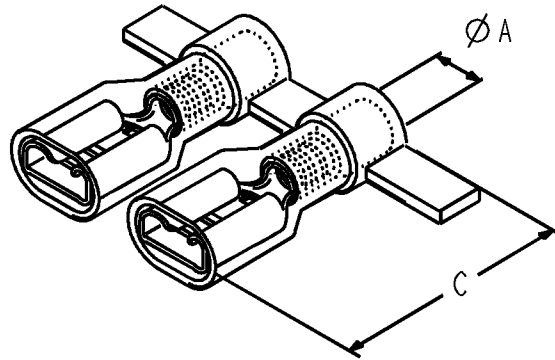
2 OF 3

REV. NO:

0

DRAWING NO:

**WSD-000348**



CATALOG No.	DESCRIPTION	Ø A	B	C	QTY
RA250DF-PS	22-16 FULLY INSULATED FEMALE DISCONNECT ,250 X .032	.157	----	.846	2500
RB250DF-PS	16-14 FULLY INSULATED FEMALE DISCONNECT ,250 X .032	.197	----	.846	2500
RC250DF-PS	12-10 FULLY INSULATED FEMALE DISCONNECT ,250 X .032	.252	----	.929	2000

MATERIALS:  
 TERMINAL - BRASS  
 INSULATOR - NYLON

CRIMP TOOLING:  
 BENCH PRESS - EBP22-10

FINISH:  
 TIN PLATED

APPLICATORS:  
 RED 22-16 AWG - RAH22-16  
 BLUE 16-14 AWG - BAH16-14  
 YELLOW 12-10 AWG - YAH12-10

RATINGS:  
 TEMPERATURE - 105°C  
 VOLTAGE - 600V

STRIP LENGTH:  
 RED 22-16 = .250  
 BLUE 16-14 = .250  
 YELLOW 12-10 = .312

**Thomas & Betts**  
 www.tnb.com

DESCRIPTION:

**NYLON DISCONNECTS,  
 PLASTIC STRIP TERMINALS**

SHEET NO:  
 3 OF 3

REV. NO:  
 0

DRAWING NO:  
**WSD-000348**