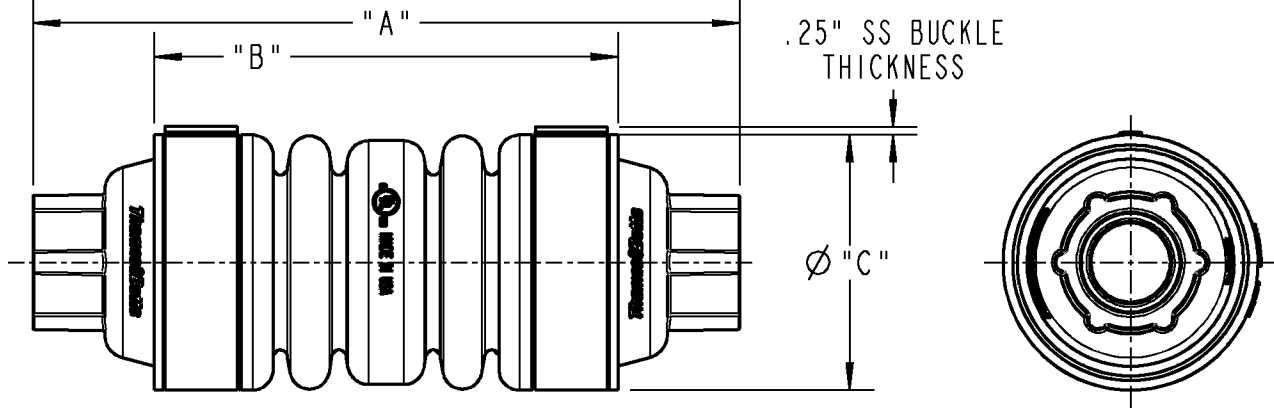




T&B Fittings



NOTES:

1. NM EXPANSION/DEFLECTION COUPLINGS ARE USED WITH SCHEDULE 40 AND 80 PVC RIGID NONMETALLIC CONDUIT (RNC) TO COUPLE (2) SECTIONS OF CONDUIT & PROTECT CONDUIT WIRING SYSTEMS FROM DAMAGE DUE TO MOVEMENT; ACCOMMODATE AXIAL EXPANSION/CONTRACTION UP TO 1-1/2" TOTAL TRAVEL, PARALLEL DEFLECTION UP TO 3/4" & ANGULAR DEFLECTION UP TO 30° IN ANY DIRECTION OF COUPLED CONDUIT RUNS.
2. COMPLIES WITH 2014 NEC 300.4(H) REQUIREMENT FOR PROTECTION AGAINST PHYSICAL DAMAGE.
3. HUB MATERIAL: PVC
4. CLAMPS MATERIAL: TYPE 201 SS BAND AND BUCKLE
5. OUTER JACKET MATERIAL: MOLDED NEOPRENE IN NATURAL BLACK.
6. INNER FUNNELED TUBE MATERIAL: PVC
7. LISTED CAT. NUMBERS ARE cULus LISTED (UL 651 FOR USA) & CSA C22.2 NO.85 FOR CANADA.
8. SUITABLE FOR WET LOCATION.
9. THE NM EXPANSION/DEFLECTION COUPLING UNITS COME FROM THE FACTORY ASSEMBLED WITH SS TAMPER-PROOF CLAMPS.
10. MADE IN USA.

CAT. NO.	TRADE SIZE	DESCRIPTION	DIM. "A"	DIM. "B"	DIM. "C" LESS SS BUCKLE
XD1NM-TB	1/2"	1/2" SCH 40 & 80 NM EXP/DEF CPL.	7.28"	4.84"	2.40"
XD2NM-TB	3/4"	3/4" SCH 40 & 80 NM EXP/DEF CPL.	7.36"	4.84"	2.66"
XD3NM-TB	1"	1" SCH 40 & 80 NM EXP/DEF CPL.	7.66"	4.84"	2.96"
XD5NM-TB	1-1/2"	1-1/2" SCH 40 & 80 NM EXP/DEF CPL.	8.26"	5.11"	3.60"
XD6NM-TB	2"	2" SCH 40 & 80 NM EXP/DEF CPL.	9.14"	5.76"	4.34"
XD7NM-TB	2-1/2"	2-1/2" SCH 40 & 80 NM EXP/DEF CPL.	10.75"	6.33"	5.15"
XD8NM-TB	3"	3" SCH 40 & 80 NM EXP/DEF CPL.	11.36"	6.59"	5.60"
XD010NM-TB	4"	4" SCH 40 & 80 NM EXP/DEF CPL.	12.25"	7.09"	7.17"

GENERAL NOTES

1. ALL DIMENSIONS ARE FOR REFERENCE ONLY.
2. DIMENSIONS IN BRACKETS [] ARE IN METRIC UNITS.

www.tnb.com

Thomas & Betts
A Member of the ABB Group

REVISIONS

** SEE ERN (****) FOR APPROVAL SIGNATURES & RELEASE DATE.
PROJECT NO: ****

DESCRIPTION: **NM EXPANSION/DEFLECTION COUPLINGS**
1/2" THRU 4" LESS 1-1/4" & 3-1/2"

ORIGINAL PROJECT NO / (ERN NO)

SHEET NO:

REV. NO:

DRAWING NO:

013D000216 / (2014893)

1 OF 1

**

WSD-001233