

# POWER DIVIDERS

2.9mm, up to 26.5 GHz, 1 Watt

## SPECIFICATIONS:

Models: 6005-1, 6005-2, 6005-3

<b>Electrical:</b>	
Frequency Range _____	See Below
Standard Freq. Values _____	12.4, 18 & 26.5 GHz
VSWR _____	See Below
Impedance _____	50 Ohms
Insertion Loss _____	See Below
Phase Tracking _____	See Below
Input Power _____	1 Watt Avg. @ 25°C
Peak Power _____	Derated Linearly to 0 Watts @ +125°C 1 kW Max. (5uSec Pulse, .05% Duty Cycle)
Operating Temp Range _____	-65°C to +125°C
<b>Mechanical:</b>	
2.9mm Connectors _____	Passivated Stainless Steel
Mates both Mechanically and Electrically with SMA, 3.5mm and K* Series Connectors	
Housing _____	Passivated Stainless Steel
Conductors _____	Gold Plated Beryllium Copper

\* K is a Trademark of Anritsu Corp.



Model Number: 6005-1

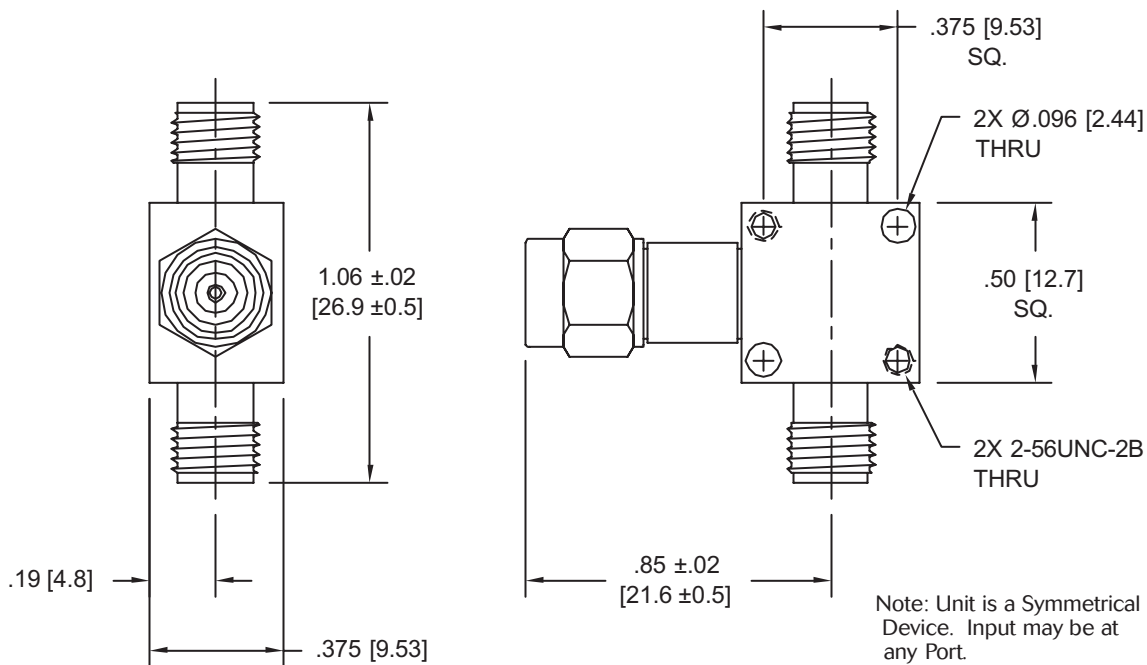
Frequency Range \_\_\_\_ DC - 12.4 GHz  
 VSWR \_\_\_\_\_ 1.20:1 Max.  
 Insertion Loss \_\_\_\_\_ 6dB Nominal  
 Phase Tracking \_\_\_\_\_ ±2°

Model Number: 6005-2

Frequency Range \_\_\_\_ DC - 18 GHz  
 VSWR \_\_\_\_\_ 1.30:1 Max.  
 Insertion Loss \_\_\_\_\_ 7.5dB Nominal  
 Phase Tracking \_\_\_\_\_ ±3°

Model Number: 6005-3

Frequency Range \_\_\_\_ DC - 26.5 GHz  
 VSWR \_\_\_\_\_ 1.40:1 Max.  
 Insertion Loss \_\_\_\_\_ 8.5dB Nominal  
 Phase Tracking \_\_\_\_\_ ±4°



Note: Dimensions in Brackets are Expressed in Millimeters and are for Reference Only.

6005: REV C



Aeroflex / Inmet, Inc. • 300 Dino Drive, Ann Arbor, MI 48103 • U.S.A.  
 888-244-6638 or 734-426-5553 • FAX: 734-426-5557  
 www.aeroflex-inmetcorp.com • sales@aeroflex-inmetcorp.com