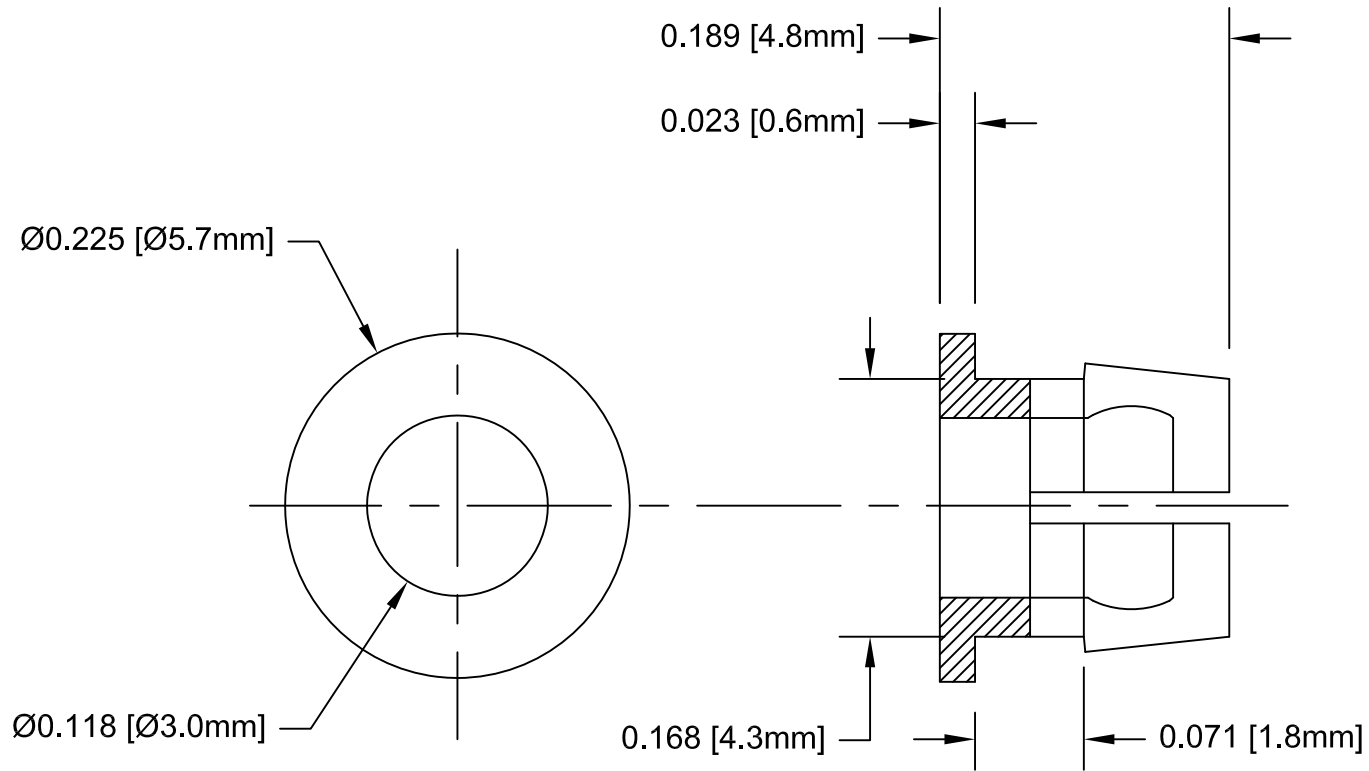

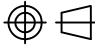


REV.	DESCRIPTION	DATE	APPROVED
A	Engineering Release.	01/23/07	M. C.
B	Changed Outer Diameter from .232 to .225	03/28/07	M. C.
C	Added 0.168 Dimension	08/12/09	T. Y.



2. MATERIAL: NYLON 6/6, 94V-2, BLACK. BIVAR MATERIAL CODE 21-NL-BK.  
TICONA NYLON 1310, NYLON 6/6, BLACK.

1. GENERAL SPECIFICATIONS: BIVAR MOLDED COMPONENT SPECIFICATION BV00-101.

STANDARD TOLERANCE ( UNLESS OTHERWISE SPECIFIED )		 <b>BIVAR</b> <sup>®</sup> 4 THOMAS, IRVINE, CA. 92618 TEL: (949) 951-8808 FAX: (949) 951-3974	
DECIMALS	ANGULAR		
.X ± .1	X° ± 1°	 <b>TITLE:</b> T-1 (3mm) LED Clip	
.XX ± .01			
.XXX ± .005			
DESIGNED: <b>Sonny Dam</b>	DATE: <b>01/23/07</b>	<b>PART NO:</b> C-101	REVISION: <b>C</b>
CHECKED: <b>T. Yin</b>	DATE: <b>01/23/07</b>	<b>CAGE CODE :</b> 32559	<b>SHEET # 1 OF 1</b>
CAD GENERATED DOCUMENT, DO NOT MEASURE DRAWING.			