

Model 56 3.5mm Connectors

dc to 26.5 GHz
2 Watts



Features

- /// Useable to 28 GHz
- /// Precision 3.5mm Connectors
- /// Low SWR & Flat Response

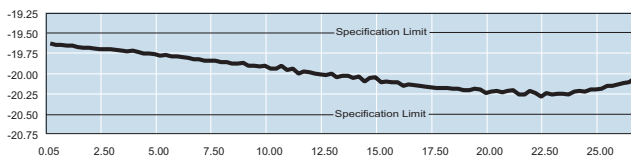
Specifications

NOMINAL IMPEDANCE: 50 Ω

FREQUENCY RANGE: dc to 26.5 GHz

MAXIMUM DEVIATION OVER FREQUENCY (dB):

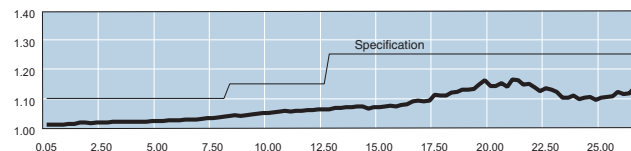
Nominal ATTN (dB)	DEVIATION (dB)
0	+ 0.50
3, 6, 10	± 0.60
20, 30	± 0.75



Typical Attenuation Accuracy of a 56-20

MAXIMUM SWR:

Frequency (GHz)	SWR
dc - 8	1.10
8 - 12.4	1.15
12.4 - 26.5	1.25



Typical SWR of a 56-20

POWER RATING: 2 watts **average** to 25°C ambient temperature, derated linearly to 0.2 watts at +100°C. 500 watts **peak** (5 μsec pulse width; 0.2% duty cycle).

POWER COEFFICIENT: < 0.005 dB/dB/watts

TEMPERATURE COEFFICIENT: < 0.0004 dB/dB/°C

TEMPERATURE RANGE: -55°C to +100°C.

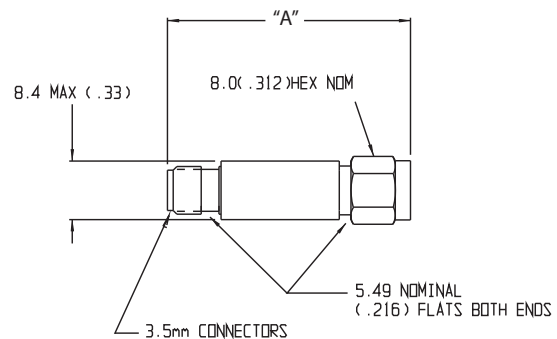
TEST DATA: Swept data plots of attenuation and SWR from 50 MHz to 26.5 GHz is available at additional cost.

CONNECTORS: 3.5mm connectors - contact pin recession (0.003 maximum) - mate nondestructively with SMA, 3.5mm, SMK and other 2.92mm per MIL-C-39012.

CONSTRUCTION: Stainless steel body and connectors; gold plated beryllium copper contacts.

WEIGHT: 8 g (0.28 oz) maximum

PHYSICAL DIMENSIONS:

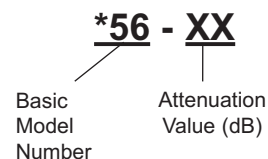


Model	DIM A
56	33.0±0.5 (1.300±0.02)
F56	35.9±0.5 (1.415±0.02)
M56	29.0±0.5 (1.140±0.02)

NOTE: All dimensions are given in mm (inches) and are maximum, unless otherwise specified.

MODEL NUMBER DESCRIPTION:

Example:



* Add Prefix M for double male and F for double female connectors.

ATTENUATOR SET (AS-20): Model 56 is also available in a Attenuator Set which includes five different attenuators (3, 6, 10, 20, 30 dB). Refer to Attenuator Sets data sheet for more information.